

Installation Instructions

NULB-8

SILK SBC LED Lightbar

READ PRIOR TO ATTEMPTING INSTALLATION
ALWAYS TURN OFF MAIN POWER BEFORE INSTALLATION
INSTALLATION SHOULD BE CARRIED OUT BY YOUR LOCAL ELECTRICIAN

⚠ IMPORTANT - This equipment is intended to be installed only by qualified personnel. The installation must be made in accordance with the current edition of the National Electrical Code and all applicable state and local building codes. The final installation must be approved by the appropriate, qualified electrical/building inspector(s). Improper installation may result in a fire or electrical hazard. Be sure the electrical power to the circuit has been disconnected before installing this electrical system.

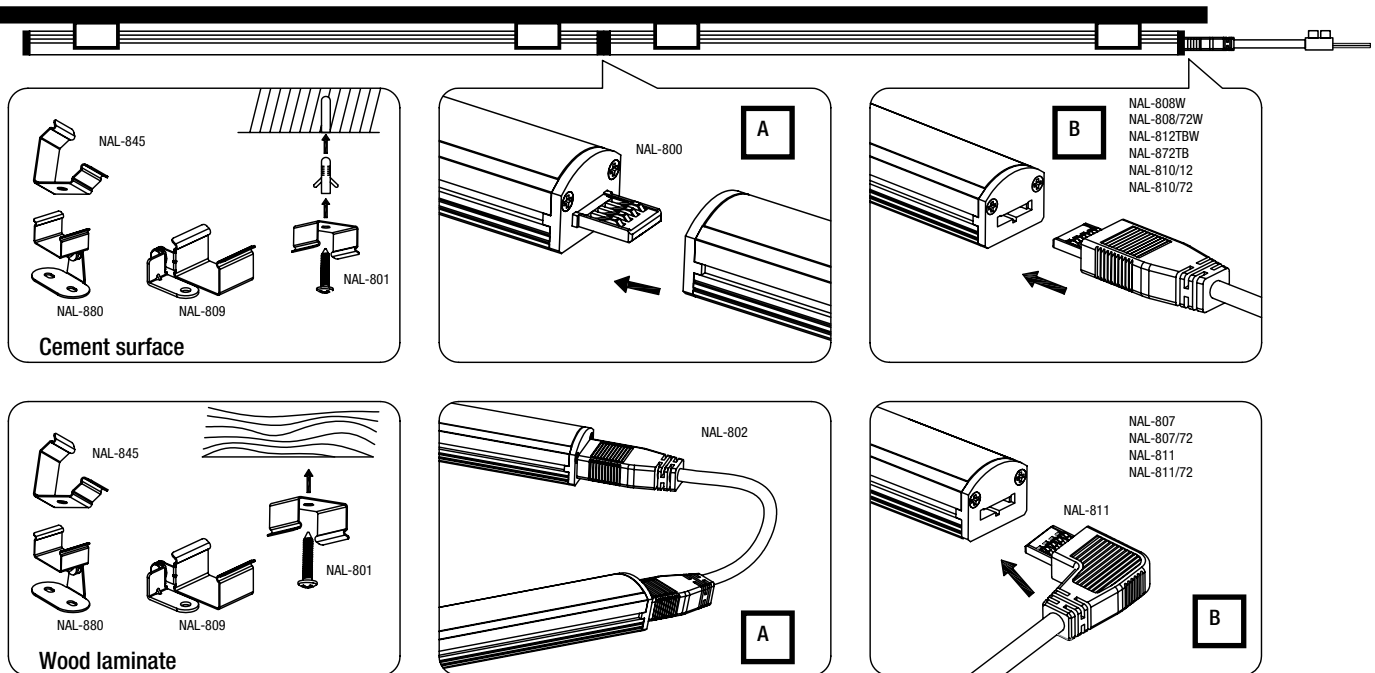
⚠ IMPORTANT - Cet équipement est destiné à être installé uniquement par du personnel qualifié. L'installation doit être faite conformément à l'édition actuelle du Code national de l'électricité et à tous les codes de construction locaux et nationaux applicables. L'installation finale doit être approuvée par un ou plusieurs inspecteurs qualifiés en électricité / bâtiment. Une installation incorrecte peut entraîner un incendie ou un risque électrique. Assurez-vous que l'alimentation électrique du circuit a été déconnectée avant d'installer ce système électrique.

ITEM NO.	DESCRIPTION
NULB-806LED	6" LED SILK SBC Lightbar 90+CRI
NULB-812LED	12" LED SILK SBC Lightbar 90+CRI
NULB-824LED	24" LED SILK SBC Lightbar 90+CRI
NULB-836LED	36" LED SILK SBC Lightbar 90+CRI
NULB-848LED	48" LED SILK SBC Lightbar 90+CRI

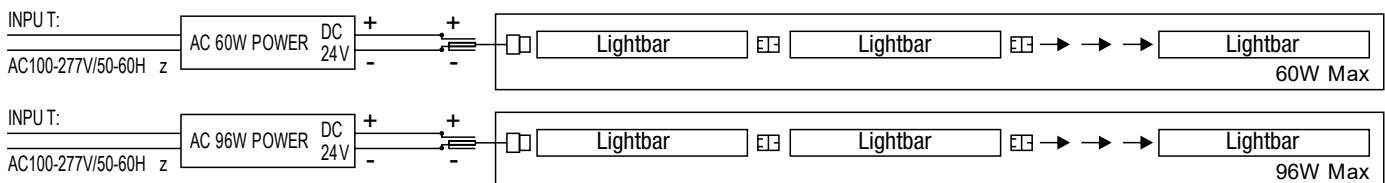
INSTALLATION INSTRUCTIONS:

1. Mark the mounting position on the surface to align the LED Lightbar.
2. Align and secure the mounting clips to the surface.
3. Gently push the LED Lightbar into the mounting clips.
4. Connect LED Lightbars to create a continuous row by using seamless type connectors (A) or interconnects (C). Be careful not to go over the wattage limit of the driver when connecting LED Lightbars.
5. Plug-in power feed (B) into the appropriate side of the LED Lightbar (1 slot).
6. Check the connections and turn the power on.

LIGHTBAR SILK INSTALLATION



LIGHTBAR SILK WIRING DIAGRAM



Please make sure that the total power of the run does not exceed the rating of the driver.