

NLOPAC-R7MS

7" AC Opal - Surface Mounted LED with PIR Motion Sensor

Source: 15W LED
1050lm

PRODUCT DESCRIPTION

The AC Opal LED Series LED fixture is designed to surface mount over a standard junction box. The low profile luminaire produces even illumination and integral PIR sensor activates when motion is detected. After 3 minutes of no motion, the fixture automatically turns off.

FEATURES

- Integral PIR Motion Sensor
- AC LED (No Driver)
- 3000K or 4000K @ 90+ CRI
- Mount on standard junction box
- Can be used with recessed housings when used with optional retrofit kit
- ENERGY STAR certified
- cETLus Listed for Wet Locations

SPECIFICATION

Construction: One piece die-cast aluminum formed luminaire. Aluminum body dissipates heat and extends life. Polycarbonate lens with integrated PIR motion sensor.

Mounting: AC Opal (no driver) is flat on the back and suitable for installation on or over most standard junction boxes.

PIR Motion Sensor: PIR (passive infrared) motion sensor for easy on/off operation. The sensor activates when motion is detected. After 3 minutes of no motion, the fixture automatically turns off. PIR sensor can detect motion up to 16' diameter away (unobstructed) when mounted at 8'.

Ratings: IC rated when used with a electrical junction box rated for direct contact with insulation. Fire rated when used with a fire rated junction box.

ELECTRICAL

Input Voltage: 120V

Input Frequency: 50/60Hz

Lumens / Wattage: 1050lm / 15W (0.5W stand by power)

Color Temperature: 3000K or 4000K

Color Rendering Index: 90+

Operating temperature: -20°C to 45°C

Dimming: Non-Dimmable

RETROFIT KIT

NLOPAC-56RECKIT: Opal can be mounted in 5" or 6" recessed housings using optional torsion spring kit.



LISTING

- cETLus Listed for wet locations
- ENERGY STAR certified
- 5-Year Limited Warranty
- Suitable for use in closets when installed in accordance to NEC Section 410.16 (A)(1) and 410.16 (C)(1).



Type

Project

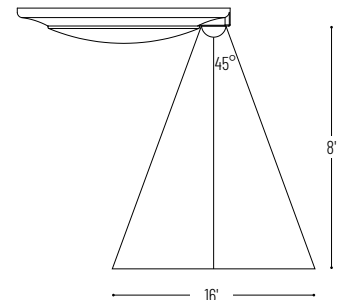
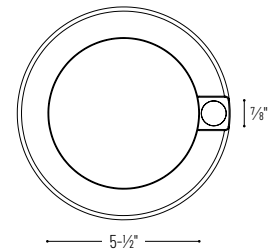
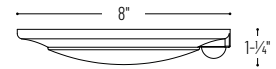
Catalog No.

Notes

Performance Data

Part Number	Lumens	CCT
NLOPAC-R7MS30W	1044lm	3000K
NLOPAC-R7MS40W	1054lm	4000K

PRODUCT IMAGES AND DIMENSIONS



Range of Motion Sensor
(not to scale)

7" AC Opal with PIR Motion Sensor

Size / Lumens / Wattage	Color Temperature / CRI	Finish
NLOPAC-R7MS = 7" / 1050lm / 15W	30 = 3000K / 90 CRI 40 = 4000K / 90 CRI	W = White

Optional Accessory

Description
NLOPAC-56RECKIT = Torsion Spring Kit / Recessed Retrofit Kit

Example: **NLOPAC-R7MS30W** = 7" AC Opal with PIR Motion Sensor, 1050lm / 15W, 3000K / 90 CRI, White finish

PHOTOMETRICS

7" AC Opal - Surface Mounted LED with PIR Motion Sensor

Type _____

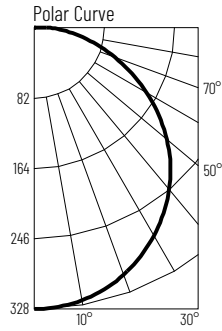
Project _____

Catalog No. _____

Notes _____

Test Information

Test Number: NTR1189R1
 Part Number: NLOPAC-R7MS30W
 Lumens: 1044lm
 Wattage: 14.5W
 Efficacy: 72lpw
 CCT / CRI: 3000K / 90 CRI
 Spacing Criteria (0°-180): 1.28
 Spacing Criteria (90°-270): 1.28



Illuminance at a Distance

Distance from Luminaire	FC at Nadir	Beam Diameter
2'	81.9fc	6'-5"
4'	20.5fc	12'-11"
6'	9.1fc	19'-4"
8'	5.1fc	25'-10"
10'	3.3fc	32'-2"

Zonal Lumen Summary

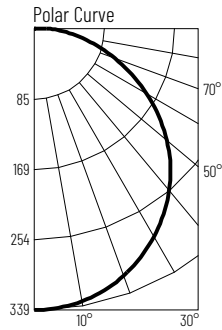
Zone	Lumens	% Luminaire
0-30	211	20.2
0-40	353	33.8
0-60	733	70.3
0-90	1011	96.9
90-180	33	3
0-180	1044	100

Candela Table

Vertical Angles	Candela
0	328
5	326
15	315
25	294
35	264
45	226

Test Information

Test Number: NTR1153R2
 Part Number: NLOPAC-R7MS40W
 Lumens: 1054lm
 Wattage: 14.22W
 Efficacy: 74lpw
 CCT / CRI: 4000K / 90 CRI
 Spacing Criteria (0°-180): 1.28
 Spacing Criteria (90°-270): 1.28



Illuminance at a Distance

Distance from Luminaire	FC at Nadir	Beam Diameter
2'	84.7fc	6'-4"
4'	21.2fc	12'-8"
6'	9.4fc	19'
8'	5.3fc	25'-5"
10'	3.4fc	31'-8"

Zonal Lumen Summary

Zone	Lumens	% Luminaire
0-30	264	25.1
0-40	435	41.3
0-60	779	73.9
0-90	1031	97.8
90-180	23	2.2
0-180	1054	100

Candela Table

Vertical Angles	Candela
0	339
5	338
15	326
25	304
35	273
45	233