

Installation Instructions

NTE-875

MAC XL LED Track Head

READ PRIOR TO ATTEMPTING INSTALLATION
ALWAYS TURN OFF MAIN POWER BEFORE INSTALLATION
INSTALLATION SHOULD BE CARRIED OUT BY YOUR LOCAL ELECTRICIAN

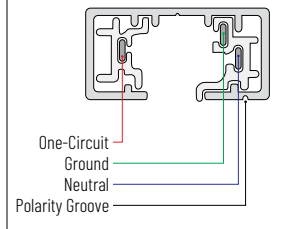
⚠ IMPORTANT - This equipment is intended to be installed only by qualified personnel. The installation must be made in accordance with the current edition of the National Electrical Code and all applicable state and local building codes. The final installation must be approved by the appropriate, qualified electrical/building inspector(s). Improper installation may result in a fire or electrical hazard. Be sure the electrical power to the circuit has been disconnected before installing this electrical system.

⚠ IMPORTANT - Cet équipement est destiné à être installé uniquement par du personnel qualifié. L'installation doit être faite conformément à l'édition actuelle du Code national de l'électricité et à tous les codes de construction locaux et nationaux applicables. L'installation finale doit être approuvée par un ou plusieurs inspecteurs qualifiés en électricité / bâtiment. Une installation incorrecte peut entraîner un incendie ou un risque électrique. Assurez-vous que l'alimentation électrique du circuit a été déconnectée avant d'installer ce système électrique.

INSTALLATION INSTRUCTION

1. Turn off power to track before beginning installation.
If installing in single circuit track, proceed to step 3.
2. If installing in two circuit track, raise "Circuit Contact" on the track head adapter by using a flathead screwdriver to lift up contact to second circuit. (Figure 1)
3. Align the track head adapter and contacts parallel with track.
4. Insert the adapter into the track and twist the adapter towards the polarity line until the latch locks into track. (Figure 2)

Single Circuit



Two Circuit

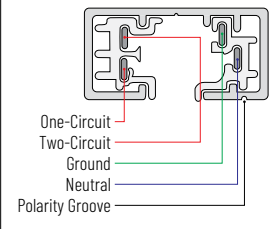


Figure 1

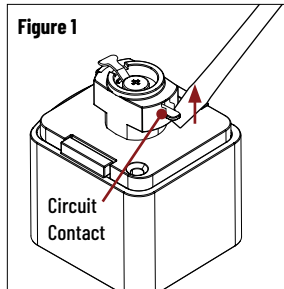
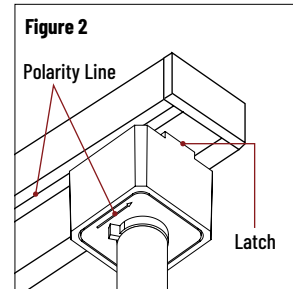


Figure 2



CHANGING OPTIC

NOTE: LED Track Head comes ready to install right out of the box.

1. Twist track head cap counter clockwise to release optic holder. (Figure 1)
2. Push out the optic from the holder. (Figure 2)
3. Insert desired optic into holder.
4. Replace optic holder and twist clockwise to lock.

Figure 1

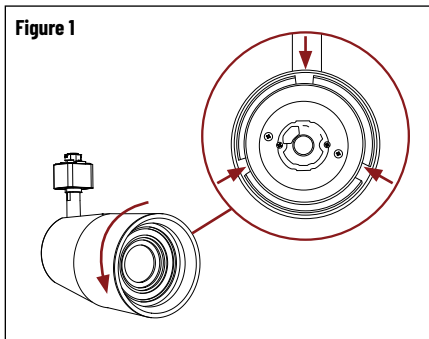


Figure 2

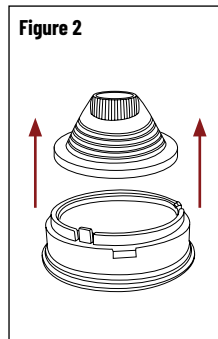


Figure 2

