

Installation Instructions

NELOCAC-16PK

Pendant Kit for 16" ELO

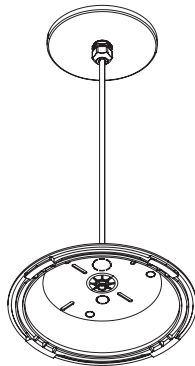
READ PRIOR TO ATTEMPTING INSTALLATION
ALWAYS TURN OFF MAIN POWER BEFORE INSTALLATION
INSTALLATION SHOULD BE CARRIED OUT BY YOUR LOCAL ELECTRICIAN

⚠ FIRE/ELECTRICAL HAZARD: INSTALL ACCORDING TO NATIONAL ELECTRIC CODE AND ANY APPLICABLE MUNICIPAL CODE REQUIREMENTS. - This equipment is intended to be installed only by qualified personnel. The installation must be made in accordance with the current edition to the National Electric Code and all applicable state and local building codes. The final installation must be approved by the appropriate qualified electrical/building inspector(s). Improper installation may result in a fire or electrical hazard. Be sure the electrical power to the circuit has been disconnected before installing this electrical system.

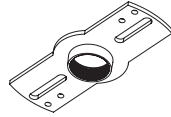
⚠ RISQUE D'INCENDIE / D'ÉLECTRICITÉ: INSTALLER SELON LE CODE ÉLECTRIQUE NATIONAL ET TOUTES LES EXIGENCES RELATIVES AU CODE MUNICIPAL APPLICABLE. - Cet équipement est destiné à être installé uniquement par du personnel qualifié. L'installation doit être faite conformément à l'édition actuelle du Code national de l'électricité et de tous les codes de construction locaux et nationaux applicables. L'installation finale doit être approuvée par un ou plusieurs inspecteurs qualifiés en électricité / bâtiment. Une installation incorrecte peut entraîner un incendie ou un risque électrique. Assurez-vous que l'alimentation électrique du circuit a été déconnectée avant d'installer ce système électrique.



PACKAGING CONTENTS



Pendant Kit



Junction Box Bracket

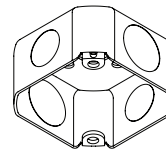


(3) Wire Nuts

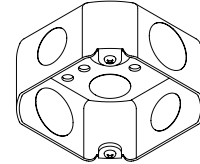


(2) Junction Box Screws

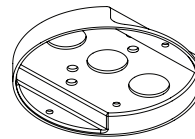
COMPATIBLE JUNCTION BOXES



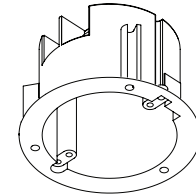
3" Octagonal



4" Octagonal



4" Pancake



4" Plastic Round

PENDANT KIT INSTALLATION

REQUIRES: NELOCAC-16R (Ordered Separately)

1. Turn off power.
2. Insert power cord through junction box bracket and adjust length accordingly. Make electrical connections inside junction box (not included). Attach junction box bracket to junction box. (Figure 1)
3. Loosen strain relief and screw into junction box bracket through canopy. Tighten strain relief to secure pendant kit to junction box. (Figure 2)
4. Connect supply wires from the mounting bracket to the supply wires of the luminaire (NELOCAC-16R - ordered separately).
5. Secure the luminaire to the mounting bracket by rotating the luminaire clockwise. (Figure 3)
6. Installation complete.

Figure 1

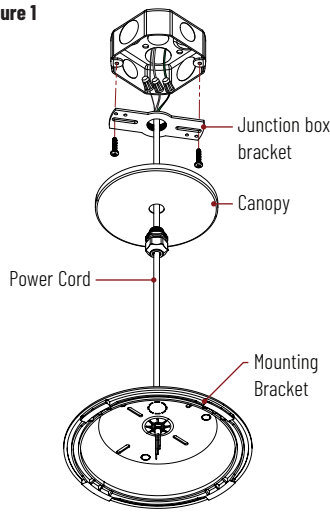


Figure 2

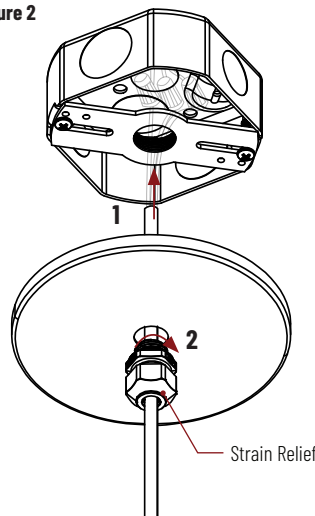


Figure 3

