

# NPR-4RPH

## 4" Pearl LED Round Fixed Pinhole Retrofit

Source: 12W LED

800lm or 1000lm

Type

Project

Catalog No.

Notes

### PRODUCT DESCRIPTION

Pearl LED Retrofit series is cULus classified for use in existing IC or Non-IC housings manufactured by Nora and others. The 4" retrofit luminaires deliver up to 1000 lumens with 2" pinhole to focus the beam spread through small opening. Available in fixed downlight or adjustable.

### FEATURES

- 1000lm LED output (800lm with Comfort Dim)
- Cree® LED COB or Comfort Dim Technology
- 2700K, 3000K, 3500K, 4000K @ 90+ CRI
- Field changeable optics included (Spot, Narrow Flood and Flood - installed)
- Integral dimmable driver
- Includes medium base socket adapter for easy retrofitting in 4" recessed housings
- 5-year limited warranty
- ENERGY STAR certified
- cULus classified for wet locations

### SPECIFICATION

**Construction:** Reflectors are constructed of heat dissipating, die-cast aluminum. The aluminum die-cast LED heat sink is threaded to fit the reflector and transfer heat.

**Mounting:** Reflector includes friction blades to mount securely to housing.

### OPTICS

Each reflector includes field changeable optics (28° spot, 38° narrow flood and 53° flood - preinstalled). Premium 15° and 25° TIR optics are also available.

### ELECTRICAL

**Input Voltage:** 120V

**Lumens / Wattage:** 1000lm / 12W (800lm w/ Comfort Dim)

**Color Temperature:** 2700K, 3000K, 3500K, 4000K

**CRI:** 90+CRI

**Operating Temp.:** 0°C to 25°C ambient temperature

**Lifetime:** 50,000 hours @ L70

**Comfort Dim:** Comfort Dim color tunes the temperature from a bright 3100K, to a romantic and comfortable 2000K on a gradual, even curve. Available in 800lm [only](#).

**Dimming:** Triac or ELV

[Click Here](#) or check complete dimmer list at [www.NoraLighting.com](http://www.NoraLighting.com) in the "Compatibility" page under "Resources" tab

### COMPATIBLE HOUSINGS

Pearl retrofit reflectors are compatible with most 4" IC and Non-IC housings by Nora and others.

#### Fire Box

**NFBIC-4LMRATA\*** ICAT Dedicated LED

**NFBIC-4INCATA** ICAT Line Voltage

#### New Construction

**NSIC-4LMRAT\*** Max. Adjustability ICAT Dedicated LED

**NHIC-4LMRAT\*** ICAT Dedicated LED

**NHIC-4LMRAT/277\*** ICAT Dedicated LED, 277V (includes step-down transformer)

**NSIC-401QAT** ICAT Line Voltage

**NS-401QAT** AT Line Voltage

**NHIC-4G24AT** ICAT GU24

#### Remodel

**NHRIC-4LMRAT\*** ICAT Dedicated LED

**NSRIC-404QAT** ICAT Line Voltage

**NSR-404QAT** AT Line Voltage

**NHRIC-4G24AT** ICAT GU24

\* Nora Dedicated LED housings are cULus listed for use only with Nora LED Retrofits.

**Retrofit:** Pearl retrofit series includes medium base screw-socket adapter (NRA-211SM) for retrofitting into existing medium base downlight housings. GU24 socket adapter is available for use with GU24 housings, must specify NRA-212SM.

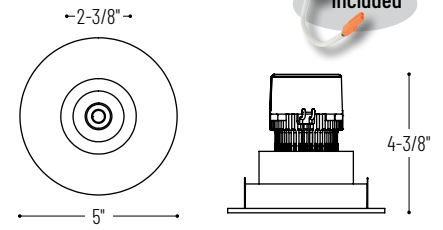
**Accessories:** Reflectors will accommodate (1) hex louver and (1) translucent deco collar or opaque snoot, no accessory holder is required, see accessories page.

### LABELS AND LISTINGS

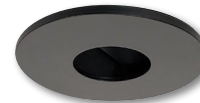
- cULus classified for Wet Locations
- ENERGY STAR certified
- RoHS compliant
- [5-Year Limited Warranty](#)
- Certified to the high efficacy requirements of California Title 24 JA8-2019



### PRODUCT IMAGES & DIMENSIONS



**NPR-4RPH**  
Round Adjustable Pinhole  
Non-Adjustable



**BB**  
Black Pinhole  
Black Flange



**BMPW**  
Black Pinhole  
Matte Powder White Flange



**HZMPW**  
Haze Pinhole  
Matte Powder White Flange



**MPW**  
Matte Powder White Pinhole  
Matte Powder White Flange

## 4" Pearl LED Round Fixed Pinhole Retrofit

Reflector Type	Color Temperature / Lumens	Finish
<b>NPR-4RPH</b> = Round Fixed Pinhole	<b>27X</b> = 2700K / 1000lm	<b>BB</b> = Black / Black
	<b>30X</b> = 3000K / 1000lm	<b>BMPW</b> = Black / Matte Powder White
	<b>35X</b> = 3500K / 1000lm	<b>HZMPW</b> = Haze / Matte Powder White
	<b>40X</b> = 4000K / 1000lm	<b>MPW</b> = Matte Powder White
	<b>CDX</b> = Comfort Dim / 800lm	

Example: **NPR-4RPH27XMPW** = 4" Pearl LED Round Fixed Pinhole Retrofit, 2700K / 1000lm, Matte Powder White finish

# 4" Pearl LED Retrofit Accessories

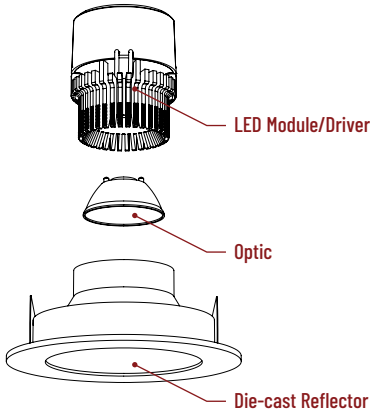
## Pearl LED Round Fixed Pinhole Retrofit

Type	
Project	
Catalog No.	
Notes	

### FIELD CHANGEABLE OPTICS

Pearl reflectors include spot, narrow flood and flood optics. Optics can be changed in the field by removing LED module from die-cast reflector. Replacement optics include an optional frosted lens.

**Note:** Premium TIR optics are not compatible with Comfort Dim LED modules.



Frosted Filter-Optic

NIO-REFL15FR	15° Optic
NIO-REFL25FR	28° Optic
NIO-REFL38FR	38° Optic
NIO-REFL60FR	53° Optic

Optic assemblies includes specified optic and optional frosted lens. 28°, 38° and 53° optics are included with each reflector.



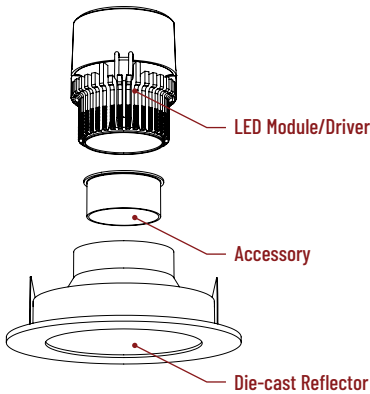
Premium TIR Optics

NIO-REFLTIR15	15° Optic
NIO-REFLTIR25	25° Optic

Premium TIR (total internal reflection) optics create optimal spot and narrow flood beam spread.  
**Not compatible with Comfort Dim (CDX) LED module**

### ACCESSORIES

Pearl accessories can be added at any point in the design process. Accessories easily install between LED module and die-cast reflector. Luminaire will accommodate (1) hex louver and (1) collar accessory, no accessory holder required.



Translucent Decorative Collar

NIO-AS14(color)	5/8" length
NIO-AS19(color)	3/4" length
NIO-AS26(color)	1" length
<b>Color:</b>	
AM (amber), BLU (blue), FR (frosted), R (red)	

Translucent collars color the aperture with the specified color while producing white general light. Collars are available in different lengths. Use to add interest, create a theme, match a theme or define a space.



Opaque Collar Snoot

NIO-AS14(color)	5/8" length
NIO-AS19(color)	3/4" length
NIO-AS26(color)	1" length
<b>Color:</b>	
BLK (black), MPW (matte powder white), WH (white)	

Opaque snoot greatly reduces aperture brightness while preserving light output. (Note: Black snoot will reduce light)



Hex Cell Louver

NIO-HC	Black
--------	-------

Hex cell louver subtly reduces aperture brightness by reducing light output by about 20%.

# PHOTOMETRICS

## 4" Pearl LED Round Bullnose Retrofit

Type

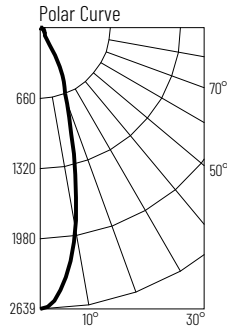
Project

Catalog No.

Notes

### Test Information

Test Number: NTR1536  
 Part Number: NPR-4PH30XXWW  
 Beam Spread: 28° Spot  
 Lumens: 989lm  
 Wattage: 11.62W  
 Efficacy: 85lpw  
 CCT / CRI: 3000K / 90 CRI  
 Spacing Criteria (0°-180): 0.48  
 Spacing Criteria (90°-270): 0.48



### Illuminance at a Distance

Distance from Luminaire	FC at Nadir	Beam Diameter
4'	165fc	2'
6'	73.3fc	3'-1"
8'	41.2fc	4'-1"
10'	26.4fc	5'-1"
12'	18.3fc	6'-1"

### Zonal Lumen Summary

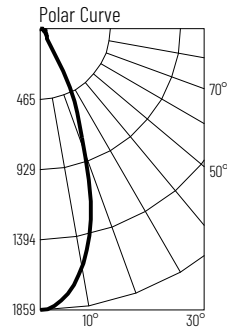
Zone	Lumens	% Luminaire
0-30	771	77.9
0-40	824	83.3
0-60	915	92.5
0-90	987	99.7
90-180	3	0.3
0-180	989	100

### Candela Table

Vertical Angles	Candela
0	2639
5	2432
15	1221
25	514
35	80
45	61

### Test Information

Test Number: NTR1537  
 Part Number: NPR-4RPH30XXWW  
 Beam Spread: 38° Narrow Flood  
 Lumens: 983lm  
 Wattage: 11.66W  
 Efficacy: 84lpw  
 CCT / CRI: 3000K / 90 CRI  
 Spacing Criteria (0°-180): 0.64  
 Spacing Criteria (90°-270): 0.64



### Illuminance at a Distance

Distance from Luminaire	FC at Nadir	Beam Diameter
4'	116fc	2'-10"
6'	51.6fc	4'-2"
8'	29fc	5'-7"
10'	18.6fc	7'
12'	12.9fc	8'-4"

### Zonal Lumen Summary

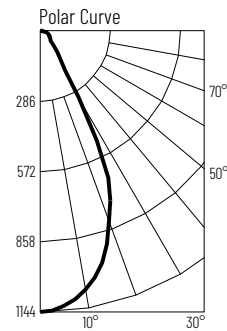
Zone	Lumens	% Luminaire
0-30	757	77
0-40	811	82.5
0-60	905	92.1
0-90	980	99.8
90-180	2	0.3
0-180	983	100

### Candela Table

Vertical Angles	Candela
0	1859
5	1789
15	1305
25	557
35	80
45	61

### Test Information

Test Number: NTR1538  
 Part Number: NPR-4RPH30XXWW  
 Beam Spread: 53° Flood  
 Lumens: 951lm  
 Wattage: 11.71W  
 Efficacy: 81lpw  
 CCT / CRI: 3000K / 90 CRI  
 Spacing Criteria (0°-180): 0.86  
 Spacing Criteria (90°-270): 0.86



### Illuminance at a Distance

Distance from Luminaire	FC at Nadir	Beam Diameter
4'	71.5fc	4'
6'	31.8fc	6'
8'	17.9fc	7'-11"
10'	11.4fc	9'-11"
12'	8fc	11'-11"

### Zonal Lumen Summary

Zone	Lumens	% Luminaire
0-30	658	69.2
0-40	764	80.3
0-60	867	91.1
0-90	949	99.8
90-180	2	0.2
0-180	951	100

### Candela Table

Vertical Angles	Candela
0	1144
5	1124
15	978
25	660
35	151
45	72

### Lumen Output Multipliers

Color Temperature: 2700K (0.97), 3000K (1.00), 3500K (1.05), 4000K (1.09)