

# NPR-4RNDC

## 4" Pearl LED Round Retrofit Reflector with Round Aperture

Source: 12W LED

800lm or 1000lm

### PRODUCT DESCRIPTION

Pearl LED Retrofit series is cULus classified for use in existing IC or Non-IC housings manufactured by Nora and others. The 4" retrofit luminaires deliver over 1100 lumens with deep regressed cone reflector for optimal visual cut-off.

### FEATURES

- 1000lm LED output (800lm with Comfort Dim)
- Cree® LED COB or Comfort Dim Technology
- 2700K, 3000K, 3500K, 4000K @ 90+ CRI
- Field changeable optics included (Spot, Narrow Flood and Flood - installed)
- Integral dimmable driver
- Includes medium base socket adapter for easy retrofitting in 4" recessed housings
- 5-year limited warranty
- ENERGY STAR certified
- cULus classified for wet locations

### SPECIFICATION

**Construction:** Reflectors are constructed of heat dissipating, die-cast aluminum. The aluminum die-cast LED heat sink is threaded to fit the reflector and transfer heat.

**Mounting:** Reflector includes friction blades to mount securely to housing.

### OPTICS

Each reflector includes field changeable optics (29° spot, 43° narrow flood and 62° flood - preinstalled). Premium 15° and 25° TIR optics are also available.

### ELECTRICAL

**Input Voltage:** 120V

**Lumens / Wattage:** 1000lm / 12W (800lm w/ Comfort Dim)

**Color Temperature:** 2700K, 3000K, 3500K, 4000K

**CRI:** 90+CRI

**Operating Temp.:** 0°C to 25°C ambient temperature

**Lifetime:** 50,000 hours @ L70

**Comfort Dim:** Comfort Dim color tunes the temperature from a bright 3100K, to a romantic and comfortable 2000K on a gradual, even curve. Available in 800lm [only](#).

**Dimming:** Triac or ELV

[Click Here](#) or check complete dimmer list at [www.NoraLighting.com](http://www.NoraLighting.com) in the "Compatibility" page under "Resources" tab

### COMPATIBLE HOUSINGS

Pearl retrofit reflectors are compatible with most 4" IC and Non-IC housings by Nora and others.

#### Fire Box

**NFBIC-4LMRATA\*** ICAT Dedicated LED

**NFBIC-4INCATA** ICAT Line Voltage

#### New Construction

**NSIC-4LMRAT\*** Max. Adjustability ICAT Dedicated LED

**NHIC-4LMRAT\*** ICAT Dedicated LED

**NHIC-4LMRAT/277\*** ICAT Dedicated LED, 277V (includes step-down transformer)

**NSIC-401QAT** ICAT Line Voltage

**NS-401QAT** AT Line Voltage

**NHIC-4G24AT** ICAT GU24

#### Remodel

**NHRIC-4LMRAT\*** ICAT Dedicated LED

**NSRIC-404QAT** ICAT Line Voltage

**NSR-404QAT** AT Line Voltage

**NHRIC-4G24AT** ICAT GU24

\* Nora Dedicated LED housings are cULus listed for use only with Nora LED Retrofits.

**Retrofit:** Pearl retrofit series includes medium base screw-socket adapter (NRA-211SM) for retrofitting into existing medium base downlight housings. GU24 socket adapter is available for use with GU24 housings, must specify NRA-212SM.

**Accessories:** Reflectors will accommodate (1) hex louver and (1) translucent deco collar or opaque snoot, no accessory holder is required, see accessories page.

### LABELS AND LISTINGS

- cULus classified for Wet Locations
- ENERGY STAR certified
- RoHS compliant
- [5-Year Limited Warranty](#)
- Certified to the high efficacy requirements of California Title 24 JA8-2019



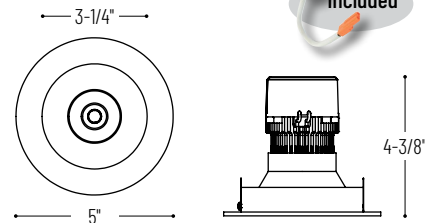
Type

Project

Catalog No.

Notes

### PRODUCT IMAGES & DIMENSIONS



#### NPR-4RNDC

Round Reflector with Round Aperture  
Non-Adjustable



**BB**  
Black Reflector  
Black Flange



**BW**  
Black Reflector  
White Flange



**BZ**  
Bronze Reflector  
Bronze Flange



**CHMPW**  
Champagne Haze Reflector  
Matte Powder White Flange



**CMPW**  
Specular Clear Reflector  
Matte Powder White Flange



**HW**  
Haze Reflector  
White Flange



**HZMPW**  
Haze Reflector  
Matte Powder White Flange



**MPW**  
Matte Powder White Reflector  
Matte Powder White Flange



**NN**  
Natural Metal Reflector  
Natural Metal Flange



**WW**  
White Reflector  
White Flange

## 4" Pearl LED Round Retrofit Reflector with Round Aperture

Reflector Type	Color Temperature / Lumens	Finish
<b>NPR-4RNDC</b> = Round Reflector with Round Aperture	<b>27X</b> = 2700K / 1000lm	<b>BB</b> = Black / Black
	<b>30X</b> = 3000K / 1000lm	<b>BW</b> = Black / White
	<b>35X</b> = 3500K / 1000lm	<b>BZ</b> = Bronze / Bronze
	<b>40X</b> = 4000K / 1000lm	<b>CHMPW</b> = Champagne / Matte Powder White
	<b>CDX</b> = Comfort Dim / 800lm	<b>CMPW</b> = Specular Clear / Matte Powder White
		<b>HW</b> = Haze / White
		<b>HZMPW</b> = Haze / Matte Powder White
		<b>MPW</b> = Matte Powder White
		<b>NN</b> = Natural Metal / Natural Metal
		<b>WW</b> = White / White

Example: **NPR-4RNDC27XWW** = 4" Pearl LED Round Retrofit Reflector with Round Aperture, 2700K / 1000lm, White finish

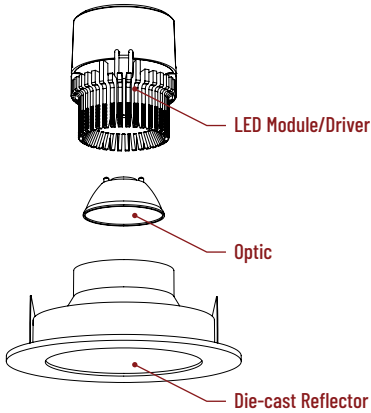
# Pearl LED Retrofit Accessories

## 4" Pearl LED Round Retrofit Reflector with Round Aperture

Type
Project
Catalog No.
Notes

### FIELD CHANGEABLE OPTICS

Pearl reflectors include spot, narrow flood and flood optics. Optics can be changed in the field by removing LED module from die-cast reflector. Replacement optics include an optional frosted lens. **Note:** Premium TIR optics are not compatible with Comfort Dim LED modules.



Frosted Filter-Optic

NIO-REFL15FR	15° Optic
NIO-REFL25FR	29° Optic
NIO-REFL38FR	43° Optic
NIO-REFL60FR	62° Optic

Optic assemblies includes specified optic and optional frosted lens. 29°, 43° and 62° optics are included with each reflector.



Premium TIR Optics

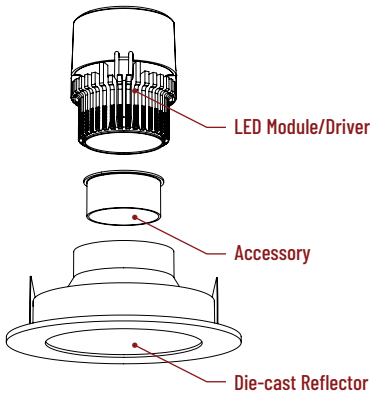
NIO-REFLTIR15	15° Optic
NIO-REFLTIR25	25° Optic

Premium TIR (total internal reflection) optics create optimal spot and narrow flood beam spread.

**Not compatible with Comfort Dim (CDX) LED module**

### ACCESSORIES

Pearl accessories can be added at any point in the design process. Accessories easily install between LED module and die-cast reflector. Luminaire will accommodate (1) hex louver and (1) collar accessory, no accessory holder required.



Translucent Decorative Collar

NIO-AS14(color)	5/8" length
NIO-AS19(color)	3/4" length
NIO-AS26(color)	1" length
<b>Color:</b>	
AM (amber), BLU (blue), FR (frosted), R (red)	

Translucent collars color the aperture with the specified color while producing white general light. Collars are available in different lengths. Use to add interest, create a theme, match a theme or define a space.



Opaque Collar Snoot

NIO-AS14(color)	5/8" length
NIO-AS19(color)	3/4" length
NIO-AS26(color)	1" length
<b>Color:</b>	
BLK (black), MPW (matte powder white), WH (white)	

Opaque snoot greatly reduces aperture brightness while preserving light output. (Note: Black snoot will reduce light)



Hex Cell Louver

NIO-HC	Black
--------	-------

Hex cell louver subtly reduces aperture brightness by reducing light output by about 20%.

# PHOTOMETRICS

## 4" Pearl LED Round Retrofit Reflector with Round Aperture

Type

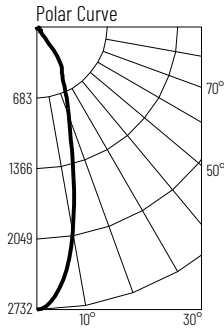
Project

Catalog No.

Notes

### Test Information

Test Number: NTR1533  
 Part Number: NPR-4RND30XWW  
 Beam Spread: 29° Spot  
 Lumens: 1187lm  
 Wattage: 11.66W  
 Efficacy: 102pw  
 CCT / CRI: 3000K / 90 CRI  
 Spacing Criteria (0°-180): 0.5  
 Spacing Criteria (90°-270): 0.5



### Illuminance at a Distance

Distance from Luminaire	FC at Nadir	Beam Diameter
4'	171fc	2'-1"
6'	75.9fc	3'-2"
8'	42.7fc	4'-4"
10'	27.3fc	5'-4"
12'	19fc	6'-5"

### Zonal Lumen Summary

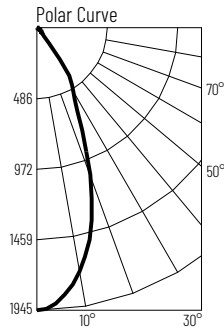
Zone	Lumens	% Luminaire
0-30	900	75.9
0-40	1088	91.7
0-60	1160	97.7
0-90	1184	99.7
90-180	3	0.3
0-180	1187	100

### Candela Table

Vertical Angles	Candela
0	2732
5	2537
15	1356
25	636
35	344
45	55

### Test Information

Test Number: NTR1534  
 Part Number: NPR-4RND30XWW  
 Beam Spread: 43° Narrow Flood  
 Lumens: 1194lm  
 Wattage: 11.67W  
 Efficacy: 102pw  
 CCT / CRI: 3000K / 90 CRI  
 Spacing Criteria (0°-180): 0.7  
 Spacing Criteria (90°-270): 0.7



### Illuminance at a Distance

Distance from Luminaire	FC at Nadir	Beam Diameter
4'	122fc	3'-1"
6'	54fc	4'-8"
8'	30.4fc	6'-4"
10'	19.4fc	7'-10"
12'	13.5fc	9'-5"

### Zonal Lumen Summary

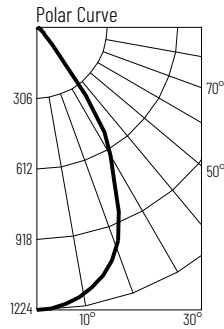
Zone	Lumens	% Luminaire
0-30	901	75.5
0-40	1094	91.6
0-60	1166	97.6
0-90	1191	99.8
90-180	3	0.2
0-180	1194	100

### Candela Table

Vertical Angles	Candela
0	1945
5	1874
15	1441
25	705
35	335
45	55

### Test Information

Test Number: NTR1535  
 Part Number: NPR-4RND30XWW  
 Beam Spread: 62° Flood  
 Lumens: 1178lm  
 Wattage: 11.72W  
 Efficacy: 101pw  
 CCT / CRI: 3000K / 90 CRI  
 Spacing Criteria (0°-180): 0.94  
 Spacing Criteria (90°-270): 0.96



### Illuminance at a Distance

Distance from Luminaire	FC at Nadir	Beam Diameter
4'	76.5fc	4'-10"
6'	34fc	7'-2"
8'	19.1fc	9'-7"
10'	12.2fc	12'
12'	8.5fc	14'-5"

### Zonal Lumen Summary

Zone	Lumens	% Luminaire
0-30	805	68.4
0-40	1045	88.7
0-60	1148	97.4
0-90	1176	99.8
90-180	3	0.2
0-180	1178	100

### Candela Table

Vertical Angles	Candela
0	1224
5	1209
15	1112
25	829
35	421
45	74

### Lumen Output Multipliers

Color Temperature: 2700K (0.97), 3000K (1.00), 3500K (1.05), 4000K (1.09)