

Installation Instructions

NLCBC2

Cobalt Click Retrofit

READ PRIOR TO ATTEMPTING INSTALLATION
ALWAYS TURN OFF MAIN POWER BEFORE INSTALLATION
INSTALLATION SHOULD BE CARRIED OUT BY YOUR LOCAL ELECTRICIAN

⚠ WARNING: Risk of fire or electric shock. Installation of this retrofit assembly requires a person familiar with the construction and operation of the luminaire's electrical system and the hazard involved. If not qualified, do not attempt installation. Contact a qualified electrician.

⚠ AVERTISSEMENT: Risque d'incendie ou de choc électrique. L'installation de cet ensemble de rénovation nécessite une personne familiarisée avec la construction et le fonctionnement du système électrique du luminaire et les risques encourus. S'il n'est pas qualifié, n'essayez pas d'installer. Contacter un électricien qualifié.

⚠ WARNING: Risk of fire or electric shock. Install this kit only in the luminaires that has the construction features and dimensions shown in the photographs and/or drawings.

⚠ AVERTISSEMENT: Risque d'incendie ou de choc électrique. Installez ce kit uniquement dans les luminaires qui ont les caractéristiques de construction et les dimensions indiquées sur les photographies et / ou les dessins.

⚠ WARNING: To prevent wiring damage or abrasion, do not pinch or damage exposed wiring during installation. Keep away from edges of sheet metal or other sharp objects

⚠ AVERTISSEMENT: Pour éviter d'endommager ou d'abrasion le câblage, ne pas pincer ou endommager le câblage pendant l'installation. Tenir à l'écart des bords de la tôle ou d'autres objets tranchants

⚠ WARNING: Risk of fire or electric shock. Do not alter, relocate, or remove wiring, lampholders, power supply, or any other electrical component.

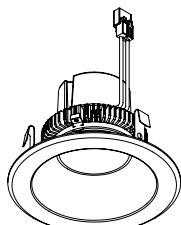
⚠ AVERTISSEMENT: Risque d'incendie ou de choc électrique. Ne modifiez pas, ne déplacez pas ou n'enlevez pas le câblage, les douilles de lampe, l'alimentation électrique ou tout autre composant électrique.

DO NOT MAKE OR ALTER ANY OPEN HOLES IN AN ENCLOSURE OF WIRING OR ELECTRICAL COMPONENTS DURING KIT INSTALLATION.

THIS RETROFIT KIT IS ACCEPTED AS A COMPONENT OF A LUMINAIRE WHERE THE SUITABILITY OF THE COMBINATION SHALL BE DETERMINED BY AUTHORITIES HAVING JURISDICTION.



PACKAGING CONTENTS



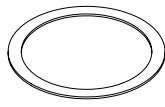
Luminaire



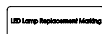
Medium Base
Socket Adapter



Male Ideal®
Quick Connect



Gasket

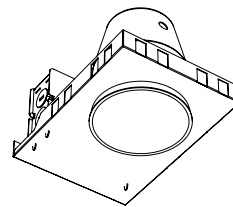


LED Lamp Replacement
Marking Sticker

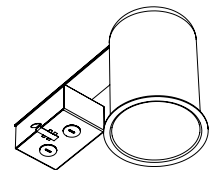


HOUSING DIMENSIONS

	4"	5"	6"
Width	4.03"	5.3"	6.05"
Height	5.5"	6.06"	5.51"



New Construction



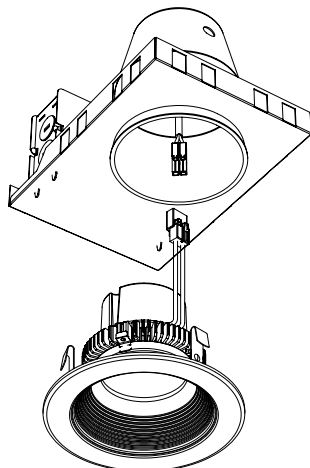
Remodel

Install this kit only in luminaires that have the construction features and dimensions described in these instructions, and where the input rating of the retrofit kit does not exceed the input rating of the luminaire.

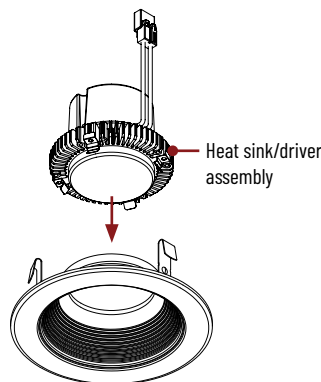
Refer to correlation label of luminaire and/or specification sheet at www.NoraLighting.com

TRIM REPLACEMENT

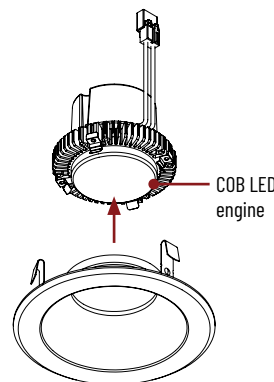
1. Cobalt Click's trim can be changed in the field. Disconnect and remove retrofit from housing.
2. Hold heat sink/driver assembly and pull down on trim to release.
3. Replace trim by pushing until "clicks" on the COB LED engine.



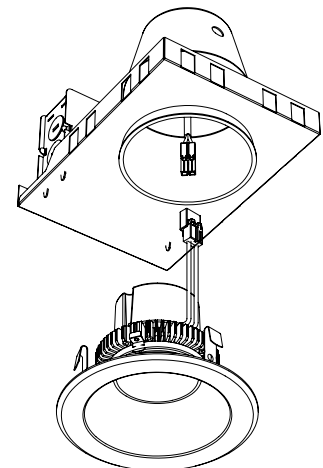
Disconnect and remove from housing



Remove trim



Replace trim



Reinstall retrofit

Installation Instructions

NLCBC2

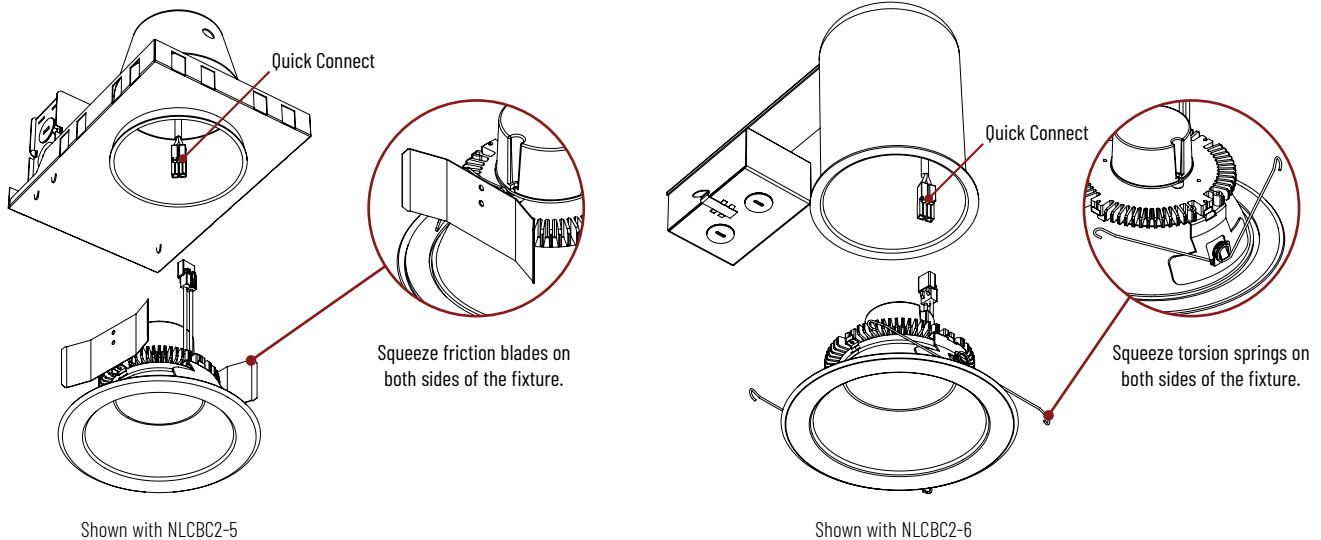
Cobalt Click Retrofit

READ PRIOR TO ATTEMPTING INSTALLATION
ALWAYS TURN OFF MAIN POWER BEFORE INSTALLATION
INSTALLATION SHOULD BE CARRIED OUT BY YOUR LOCAL ELECTRICIAN

INSTALLATION INTO LED HOUSINGS

⚠️ TURN OFF MAIN POWER BEFORE INSTALLATION

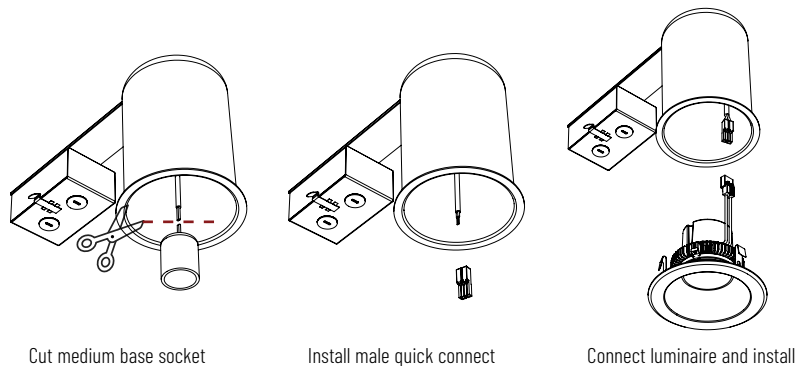
1. Connect luminaire's connector to quick connect of Nora's LED dedicated housing.
2. NLCBC2-4 & NLCBC2-5: Squeeze friction blades on trim and carefully push fixture into the housing.
NLCBC2-6: Squeeze torsion springs on trim and insert into holder in the housing.
3. Carefully route wires into fixture and push fixture up flush to ceiling surface.



RETROFITTING INTO HOUSING AS LED CONVERSION

⚠️ TURN OFF MAIN POWER BEFORE INSTALLATION

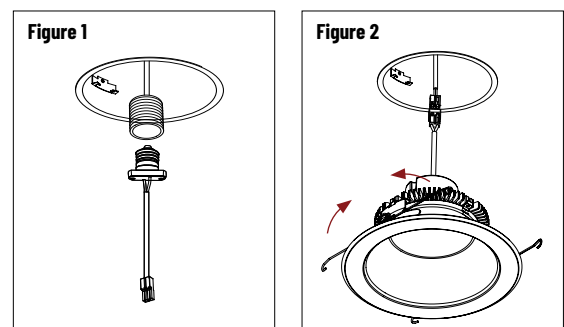
1. Remove existing trim and light bulb from the recessed housing to reveal the medium base socket. If applicable, remove socket from plate.
2. Place provided LED Lamp Replacement Marking Sticker inside the housing where visible to installer.
3. Cut medium base socket cable off existing housing and connect wires maintaining polarity using the provided male orange connector.
4. NLCBC2-4 & NLCBC2-5: Connect luminaire and squeeze friction blades on trim and carefully push fixture into the housing.
NLCBC2-6: Connect luminaire and squeeze torsion springs on trim and insert into holder in the housing.



RETROFITTING INTO HOUSINGS AS LED LAMP REPLACEMENT

⚠️ TURN OFF MAIN POWER BEFORE INSTALLATION

1. Remove existing trim and light bulb from the recessed housing to reveal the medium base socket. If applicable, remove socket from plate.
2. Place provided LED Lamp Replacement Marking Sticker inside the housing where visible to installer.
3. Screw medium base socket adapter into medium base socket. (Figure 1)
4. NLCBC2-4 & NLCBC2-5: Squeeze friction blades on trim and carefully push fixture into the housing.
NLCBC2-6: Squeeze torsion springs on trim and insert into holder in the housing. (Figure 2)
5. Carefully place wires into the housing and push fixture up flush to ceiling surface.



Installation Instructions

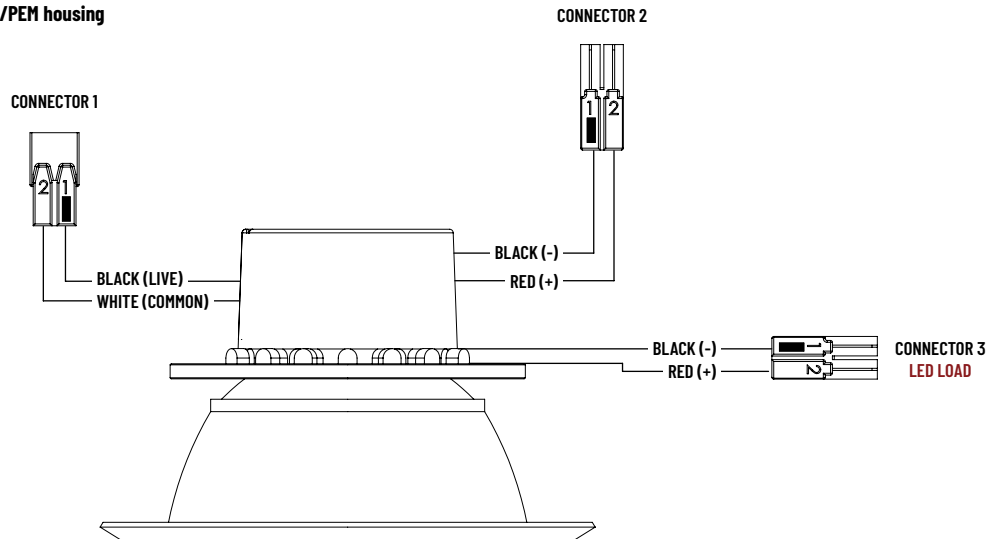
NLCBC2

Cobalt Click Retrofit

READ PRIOR TO ATTEMPTING INSTALLATION
ALWAYS TURN OFF MAIN POWER BEFORE INSTALLATION
INSTALLATION SHOULD BE CARRIED OUT BY YOUR LOCAL ELECTRICIAN

EMERGENCY CONNECTION (NLCBC2-STUVWXEM, NLCBC2-STUVWXLE2EM, NLCBC2-STUVWXEM)

Requires NHIC-xLMRAT/EM or NHRIC-xLMRAT/PEM housing



EMERGENCY CONNECTION (NLCBC2-STUVWXLE4EM)

Requires NHIC-xLMRAT/6WEM or NHRIC-xLMRAT/6WPEN housing

