

# Installation Instructions

## NOX-4

### Onyx LED Retrofit

READ PRIOR TO ATTEMPTING INSTALLATION  
ALWAYS TURN OFF MAIN POWER BEFORE INSTALLATION  
INSTALLATION SHOULD BE CARRIED OUT BY YOUR LOCAL ELECTRICIAN

**⚠ WARNING** - Risk of fire or electric shock. Installation of this retrofit assembly requires a person familiar with the construction and operation of the luminaire's electrical system and the hazard involved. If not qualified, do not attempt installation. Contact qualified electrician.

**⚠ AVERTISSEMENT** - Risque d'incendie ou d'électrocution. Ne modifiez pas, ne déplacez pas et nôtez pas le câblage, les porte-lampe, le bloc d'alimentation ou tout autre composant électrique.

**⚠ WARNING** - To prevent wiring damage or abrasion, do not expose wiring to edges of sheet metal or other sharp objects.

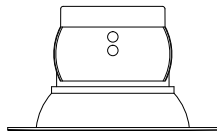
**⚠ AVERTISSEMENT** - Afin d'éviter tout endommagement ou abrasion du câblage, ne mettez pas en contact le câblage avec les arêtes de la tôle ou d'autres objets tranchants.

**⚠ WARNING** - Do not share supply connection of luminaire with high loads to prevent malfunction.

**THIS RETROFIT KIT IS ACCEPTED AS A COMPONENT OF A LUMINAIRE WHERE THE SUITABILITY OF THE COMBINATION SHALL BE DETERMINED BY AUTHORITIES HAVING JURISDICTION.**



#### PACKAGING CONTENTS



- a. Medium-base socket adapter
- b. LED Lamp Replacement Marking Sticker



#### HOUSING DIMENSIONS

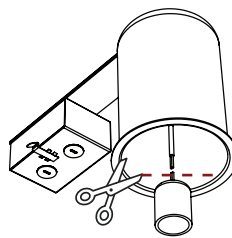
	4" (10.5W)	4" (14.5W)
Height	3-1/2"	5-1/2"
Width	4	4

Install this kit only in luminaires that have the construction features and dimensions described in these instructions, and where the input rating of the retrofit kit does not exceed the input rating of the luminaire.

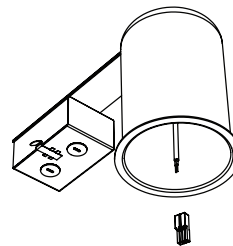
#### INSTALLATION INTO EXISTING HOUSING

##### ⚠ TURN OFF MAIN POWER BEFORE INSTALLATION

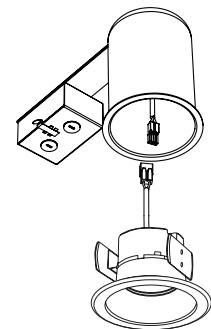
1. Remove existing trim and light bulb from the recessed housing to reveal the medium base socket. If applicable, remove socket from plate.
2. Place provided LED Lamp Replacement Marking Sticker inside the housing where visible to installer.
3. Cut medium base socket cable off existing housing and connect wires maintaining polarity using the provided male orange connector.
4. Connect luminaire and squeeze friction blades on reflector and carefully push fixture into the housing.  
**⚠ IMPORTANT:** Do not make or alter any open holes in an enclosure of wiring or electrical components during kit installation.



Cut medium base socket



Install male quick connect

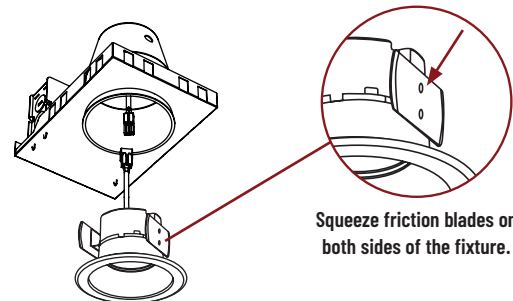


Connect luminaire and install

#### INSTALLATION INTO DEDICATED LED HOUSING

##### ⚠ TURN OFF MAIN POWER BEFORE INSTALLATION

1. Connect luminaire's connector to quick connect of Nora's LED dedicated housing.  
**⚠ IMPORTANT:** Connector is not intended to support weight of the fixture. Please support fixture at all times. When using Nora housings, attaching ground wire not required. For non-Nora housings, attach ground wire if required.
2. Squeeze friction blades on reflector and carefully push fixture into the housing.
3. Carefully route wires into fixture and push fixture up flush to ceiling surface.



Squeeze friction blades on both sides of the fixture.