

NUTP1 Series (Amber Finish)

NUTP1-W Series (White Finish) 24V Standard LED Tape Light Roll

Source: 24W - 1.5 Watts Per Foot

PRODUCT DESCRIPTION

LED Tape Light is a perfect solution for your LED linear lighting needs. This energy efficient and very low profile LED Tape is great for use in cove lighting, architectural enhancements, under cabinet or many more discreet locations. This flexible LED light source is a durable silicone encapsulated tape, cULus Listed for Wet Location applications and IP65 rated. Available in a roll, kit, or sections. Each roll or kit comes with (16) 12" sections linked together.

FEATURES

- 70 lumens per foot with 3000K CCT
- 288 LEDs / 24W per roll; 18 LEDs / 1.5W per foot
- 12V or 24V DC single color illumination
- Available in 90+ CRI
- Maximum run: Electronic Driver (24V) 66' with 100W driver, (12V) 40' with 60W driver
- Separable every 12", easily disconnected and connected without soldering
- Field cuttable every 2" on 12V and 4" on 24V
- Easy to install; pre-applied 3M™ tape or 15 acrylic mounting clips (included with roll/kit)
- Available Colors: Blue, Green, Red, Yellow, 2700K, 3000K, 4200K
- cULus Listed for Wet Location and IP65 rated
- Exceeds Title 24 high efficacy requirements
- No soldering or additional wiring is required
- No flicker delay or warm up like compact fluorescent products
- No UV light or infrared wavelengths
- 3 Year Limited Warranty
- Dimmable with dimmable power supply

CONSTRUCTION

The silicone encapsulated tape can be cut every 6 LEDs at marked intervals. Cutting does not effect circuit (shrink wrap tube included for concealment). LED Tape Light is also separable every 12", each connection has pre-installed shrink wrap around power connections to ensure wet location listing. Simply slice the clear shrink wrap at each electrical connection, and separate pieces. This eliminates soldering when using partial rolls. Each roll or kit comes with 12" power line connector NATL-509.

MOUNTING

Each Tape Light roll or kit comes with 15 clear acrylic clips and also comes with pre-applied 3M™ adhesive tape for simple installation. An optional aluminum channel is available.

ELECTRICAL

Power: 24 Volt DC Input / 1.5 Watts Per Foot / 24 Watts Per Roll

Light Source: 18 LEDs Per Foot / 288 LEDs Per Roll

Operating Temperature: -25°C ~ 60°C (-13°F ~ 140°F)

Life Expectancy: 50,000 Hours

Maximum Run Length: 66' (w/ NATL-5100)

Color Temperature: Blue, Green, Red, Yellow, Cool White (4200K), Warm White (3000K), Warm White (2700K)

TAPE LIGHT KIT (NUTP1-16LED30PS)

Tape Light Kit is a complete package ready from the box. Includes: 16' 3000K Tape Light Roll [NUTP1-16LED30], (15) acrylic mounting clips with screws, (1) 12" power line interconnector [NATL-509], (5) Shrink Wrap Tubes [NATL-400], and (1) 24W Plug-In Driver [NATL-524]

DIMMABLE

There may be some cases that require more than one lighting fixture to be used to meet minimum dimmer load. Consult with dimmer manufacturer. [Click Here](#) or refer to www.NoraLighting.com for complete updated dimmer list in the "Compatibility" page under the "Resource" tab.

LABELS AND LISTINGS

cULus Listed for Wet Location¹ (not submersible)

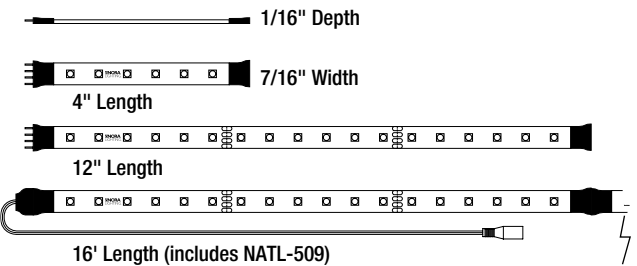
IP65 Rated

California Energy Commission

3 Year Limited Warranty



DIMENSIONS



HARDWIRE DRIVERS

NAPK-530HW/12: 12V DC / 30W Class II Hardwired LED Driver

NAPK-560HW/12: 12V DC / 60W Class II Hardwired LED Driver

NAPK-530HW: 24V DC / 30W Class II Hardwired LED Driver

NAPK-560HW: 24V DC / 60W Class II Hardwired LED Driver

PLUG-IN DRIVERS

NAPK-524/12: 12V DC / 24W Direct Plug-In LED Driver

NATL-524: 24V DC / 24W Direct Plug-In LED Driver

NATL-545: 24V DC / 45W Direct Plug-In LED Driver

NATL-550/12: 12V DC / 50W Direct Plug-In LED Driver

NATL-596: 24V DC / 96W Direct Plug-In LED Driver

DRIVER ACCESSORIES

NRA-125/6: 6' Extension Cord for NAPK-530HW/12 & NAPK-560HW/12

NRA-125/12: 12' Extension Cord for NAPK-530HW/12 & NATL-560HW/12

NRA-125/18: 18' Extension Cord for NAPK-530HW/12 & NATL-560HW/12

NRA-125/72: 72' Extension Cord for NAPK-530HW/12 & NATL-560HW/12

NRA-6035W/6: 6' Cord and Plug for NAPK-530HW/12 & NATL-560HW/12

NRA-6035W/10: 10' Cord and Plug for NAPK-530HW/12 & NATL-560HW/12

NUSP-JBox: Junction Box required for hardwiring NAPK-530HW/12 & NATL-560HW/12

TAPE LIGHT ACCESSORIES

NATL-2xx: Interconnection Cable (available in 2", 6", 18", 36", 72")

NATL-300: "Y" Splitter Cable

NATL-301: "X" Splitter Cable

NATL-400: Shrink Wrap Tube (Pack of 5)

NATL-401: Clear Acrylic Mounting Clips (Pack of 15)

NATL-403: End Cap

NATL-420: 4" Plastic Channel (Black or White)

NATL-515: 9" Power Line Interconnector

NATL-517: 11" Power Line Interconnector with Switch

NATL-C23: 4" Aluminum Channel, Shallow w/ Wings

NATL-C24: 4" Aluminum Channel, Shallow

NATL-C25: 4" Aluminum Channel, Deep w/ Wings

NATL-C26: 4" Aluminum Channel, Deep

NATL-C27: 4" Aluminum Channel, J-Style

NATL-C28: 4" Aluminum Channel, Corner

NATL-518: In-Line Dimmer (12V & 24V, 72W Max)

AMBER FINISH

Item No.	LED Length	Color	Section
NUTP1-	16 LED = 16' Roll	B = Blue G = Green R = Red Y = Yellow 27 = 2700K 30 = 3000K 42 = 4200K	/12 = 12"
	LED = 12" or 4" Section		/4 = 4"

WHITE FINISH 90+ CRI

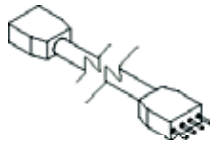
Item No.	LED Length	CRI	Color Temp	Section
NUTP1-W	16 LED = 16' Roll	9 = 90+ CRI	27 = 2700K	/12 = 12"
	LED = 12" or 4" Section		30 = 3000K	
			42 = 4200K	

¹ To maintain wet location when connecting 2 sections; add clear shrink wrap over mating pieces and shrink wrap per instructions. Shrink wrap tubes are included with each roll (5) and section (2)

Create a complete fixture / driver catalog number: Example: NUTP1-16LED27/12

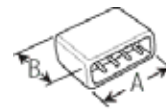
24V STANDARD LED TAPE LIGHT ACCESSORIES

NATL-202 - 2" Interconnection Cable
NATL-206 - 6" Interconnection Cable
NATL-218 - 18" Interconnection Cable
NATL-236 - 36" Interconnection Cable
NATL-272 - 72" Interconnection Cable



The interconnection cables allow for the linking of any two Tape Lights in any direction or extension of power line interconnectors. The arrow on the interconnection cable must always be facing upward to maintain polarity. Interconnection cables may be joined together for custom lengths.

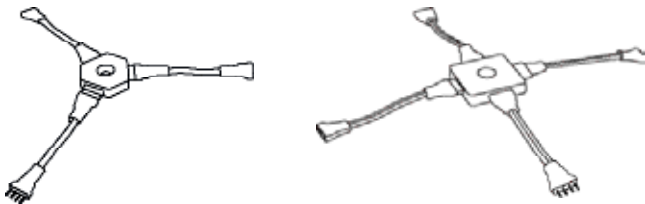
NATL-403 - End Cap



A: Width: 1/2"
 B: Length: 3/8"

Used to cover open end of Tape Light.

NATL-300 - "Y" Splitter Cable
NATL-301 - "X" Splitter Cable



Cable Lengths: 3"

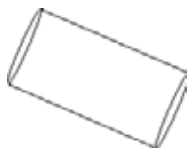
Splits connection from one Tape Light or Driver into two or three separate Tape Lights.

NATL-509 - 9" Power Line Interconnector



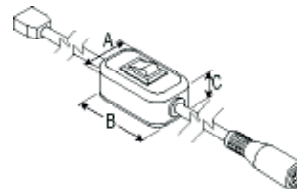
The 9" power line interconnector cable connects a Tape Light run to a Driver. NATL-509 is included with every Tape Light roll (16') or kit.

NATL-400 - Shrink Wrap Tube (Pack of 5)



Used to seal connections made in the field. Necessary to maintain ETL Wet Listing. Pack of 2 are included with every Tape Light roll and section.

NATL-511 - 11" Power Line Interconnector w/ Switch



A: Width: 1"
 B: Length: 2-3/8"
 C: Height: 1/2"

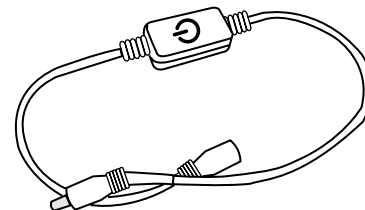
The 11" power line interconnector cable is used to allow individual switching on any Tape Light run, and connect to a Driver.

NATL-401 - Mounting Clips (Pack of 15)



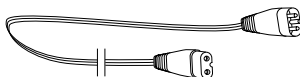
Used to mount tape light to surface, includes mounting screws. Pack of 15 are included with every Tape Light roll (16')

NATL-518: In-Line Dimmer (12V & 24V, 72W Max)



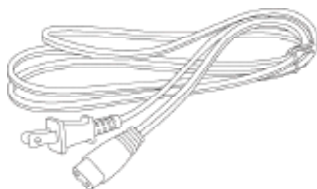
24V STANDARD LED TAPE LIGHT LED DRIVER ACCESSORIES

- NRA-125/6** - 6" Flexible Connector
- NRA-125/12** - 12" Flexible Connector
- NRA-125/18** - 18" Flexible Connector
- NRA-125/72** - 72" Flexible Connector



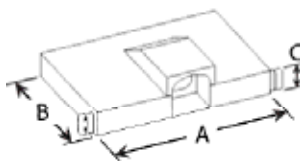
Used to extend length between NUSP-JBox and NATL-530HW & NATL-560HW.
Can be joined together to create custom lengths.

- NRA-6035W/6** - 6' Flexible Power Cord
- NRA-6035W/10** - 10' Flexible Power Cord



Used to convert NATL-530HW & NATL-560HW into a direct plug-in driver.

NUSP-JBox - Junction Box for Hardwired LED Drivers



- A: Width: 4-1/2"
- B: Length: 2-3/4"
- C: Height: 1-1/2"

To be used with NATL-530HW, NATL-560HW, or NATL-5100 Drivers.
Capable of feeding two separate LED Drivers. Accepts Romex® or flex.
Includes (1) male to male connector and (1) male to female connector. UL Listed.

24V STANDARD LED TAPE LIGHT LED DRIVERS

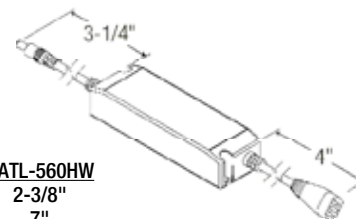
- NATL-524** - 24V 24W Direct Plug-In Driver
- NATL-545** - 24V 45W Direct Plug-In Driver



- A: Driver Width: 1-3/4"
- B: Driver Length: 1-1/2"
- C: Driver Height: 3-3/4"

Direct Plug-In Driver allows direct connection to the LED Tape Light.
Includes a 6' Power Line Connector Cable.

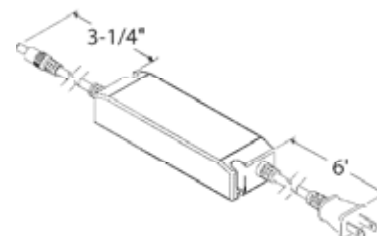
- NATL-530HW** - 24V 30W Class II Hardwire LED Driver
- NATL-560HW** - 24V 60W Class II Hardwire LED Driver



- | | <u>NATL-530HW</u> | <u>NATL-560HW</u> |
|-------------------|-------------------|-------------------|
| A: Driver Width: | 1-3/4" | 2-3/8" |
| B: Driver Length: | 5-5/8" | 7" |
| C: Driver Height: | 1-1/4" | 1-3/8" |

Hardwired LED Driver allows for driver to be hardwired with NUSP-JBox (required).
The power line connector is 3-1/4" long and the input wire is 4" long.
Can be converted into plug-in driver with NRA-6035W/6 or NRA-6035W/10.

NATL-5100 - 24V 100W



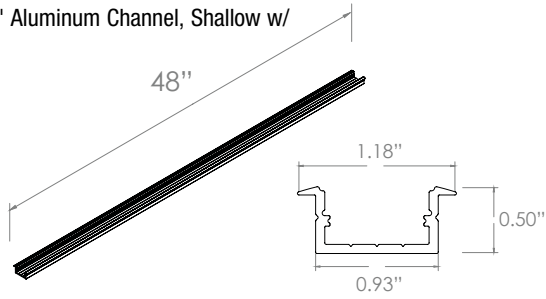
- A: Driver Width: 2-5/8"
- B: Driver Length: 7-7/8"
- C: Driver Height: 1-3/8"

Cord and Plug can be cut to be hardwired with NUSP-JBox.
The power line interconnector is 3-1/4" long and the cord and plug is 6'.

Aluminum Channel

Used to mount tape light to various surfaces.
Includes plastic diffuser

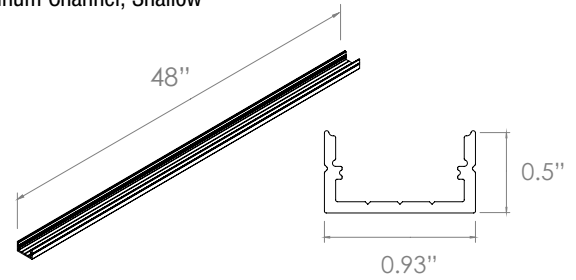
NATL-C23: 4' Aluminum Channel, Shallow w/
Wings



Aluminum Channel

Used to mount tape light to various surfaces.
Includes plastic diffuser

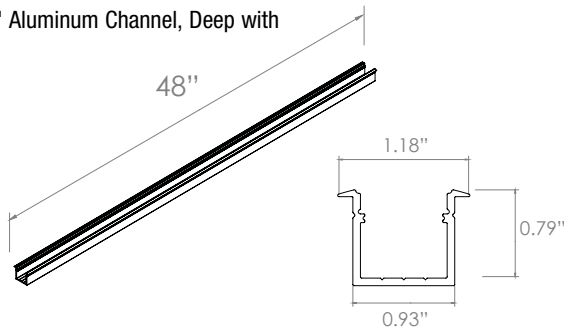
NATL-C24: 4' Aluminum Channel, Shallow



Aluminum Channel

Used to mount tape light to various surfaces.
Includes plastic diffuser.

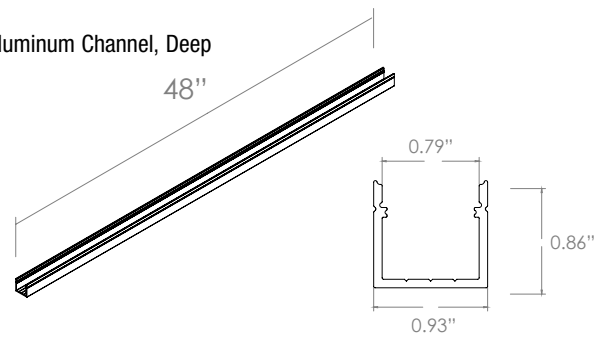
NATL-C25: 4' Aluminum Channel, Deep with
Wings



Aluminum Channel

Used to mount tape light to various surfaces.
Includes plastic diffuser.

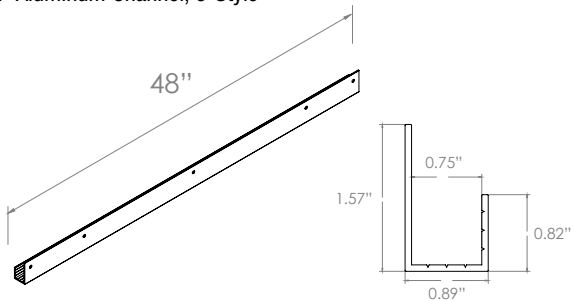
NATL-C26: 4' Aluminum Channel, Deep



Aluminum Channel

Used to mount tape light to various surfaces.

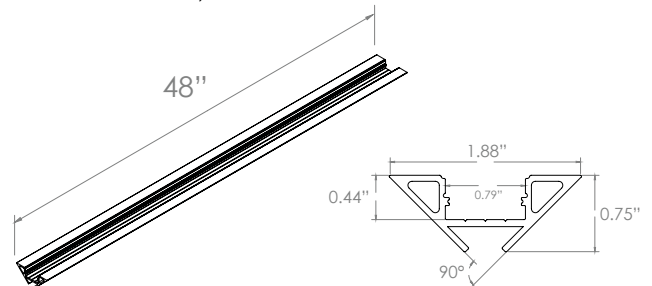
NATL-C27: 4' Aluminum Channel, J-Style



Aluminum Channel

Used to mount tape light to various surfaces.
Includes plastic diffuser.

NATL-C28: 4' Aluminum Channel, Corner



NATL-420B - 4' Plastic Channel, Black
NATL-420W - 4' Plastic Channel, White

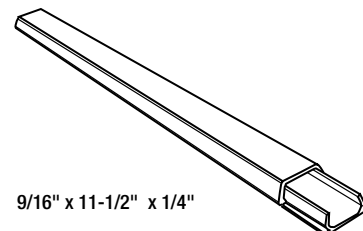


A: Width: 9/16"
B: Length: 48"

Used to mount tape light to various surfaces. Tape Light snaps into the channel.
Field Cuttable. Recommended for most installations.

NATL-422W: 2' Wire Raceway (White). Field cuttable plastic (Includes wire channel with double faced tape and cover)

NATL-422B: 2' Wire Raceway (Black). Field cuttable plastic (Includes wire channel with double faced tape and cover)



9/16" x 11-1/2" x 1/4"

NATL-5060-12-HWD10 Hardwire Electronic Driver 12 Volt, 60 Watt Class II (0-10V Dimming)

PRODUCT DESCRIPTION

12 Volt enclosed driver to be used with Nora Lighting's 12 Volt systems requiring a Class II driver (0-10V Dimming).

FEATURES

- 120/277V 0-10V Dimmable
- Type 3R Rainproof Enclosure
- Conduit Access Wiring Compartment
- Meets Class II output limits
- 12 Volt DC Rated output
- Includes NALTL-10, 12V 10' Power Line Connector
- cULus Listed Enclosure & cULus Recognized Driver

ELECTRICAL

Input: 120/277V

Output: 12VDC

Wattage: 60W

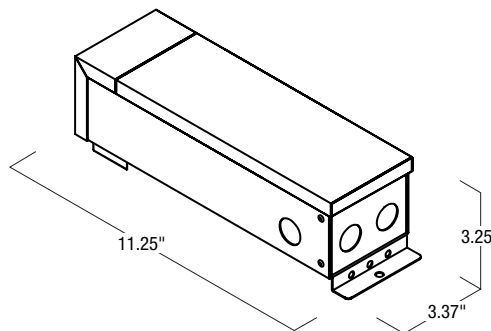
OPTIONAL ACCESSORIES

NALTL-10: 24V 10' Power Line Connector (included)

NALTL-30: 24V 30' Power Line Connector

Labels and Listings

- cULus Listed Enclosure
- Type 3R Rainproof Enclosure
- cULus Recognized Driver



Width: 3.37"
 Length: 11.25"
 Height: 3.25"



12V 60W Class II Hardwire Electronic Driver 0-10V Dimming

NATL-5060-12-HWD10: 12V 60W Class II Hardwire Electronic Driver 0-10V Dimming

Optional Accessories

NAPK-10: 12V 10' Power Line Connector (included with each driver)

NAPK-30: 12V 30' Power Line Connector

NATL-5096-24-HWD10 Hardwire Electronic Driver 24 Volt, 96 Watt Class II (0-10V Dimming)

PRODUCT DESCRIPTION

24 Volt enclosed driver to be used with Nora Lighting's 24 Volt systems requiring a Class II driver (0-10V Dimming).

FEATURES

- 120/277V 0-10V Dimmable
- Type 3R Rainproof Enclosure
- Conduit Access Wiring Compartment
- Meets Class II output limits
- 24 Volt DC Rated output
- Includes NALTL-10, 24V 10' Power Line Connector
- cULus Listed Enclosure & cULus Recognized Driver

ELECTRICAL

Input: 120/277V

Output: 24VDC

Wattage: 96W

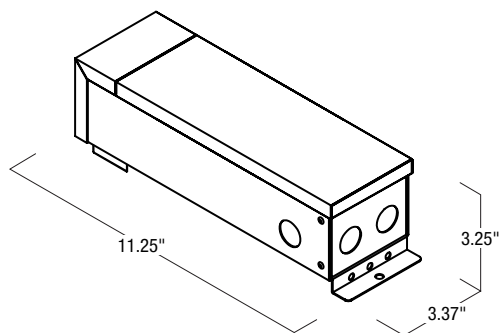
OPTIONAL ACCESSORIES

NALTL-10: 24V 10' Power Line Connector (included)

NALTL-30: 24V 30' Power Line Connector

Labels and Listings

- cULus Listed Enclosure
- Type 3R Rainproof Enclosure
- cULus Recognized Driver



Width: 3.37"
 Length: 11.25"
 Height: 3.25"

24V 96W Class II Hardwire Electronic Driver 0-10V Dimming

NATL-5096-24-HWD10: 24V 96W Class II Hardwire Electronic Driver 0-10V Dimming

Optional Accessories

NALTL-10: 24V 10' Power Line Connector (included with each driver)

NALTL-30: 24V 30' Power Line Connector