

NLIC-301 IC RECESSED HOUSING

FIRE/ELECTRICAL HAZARD: INSTALL ACCORDING TO NATIONAL ELECTRIC CODE AND ANY APPLICABLE MUNICIPAL CODE REQUIREMENTS.

This equipment is intended to be installed only by qualified personnel. The installation must be made in accordance with the current edition to the National Electric Code and all applicable state and local building codes. The final installation must be approved by the appropriate qualified electrical/building inspector(s). Improper installation may result in a fire or electrical hazard. Be sure the electrical power to the circuit has been disconnected before installing this electrical system.

WARNING - RISK OF FIRE:

Most dwellings built before 1985 have supply wire rated 60 degrees Celsius (thermal cutoffs in fixtures operate at 90 degrees Celsius); consult a qualified electrician prior to installation.

TO INSTALL HOUSING:

Standard "Joist" Ceilings:

- 1) Use bar hangers to attach fixture between ceiling joists. Each end of the bar hanger is equipped with a nail-in barbed tab. Additional hardware such as screws or nails may be used if extra support is necessary.
- 2) For steel studs, use steel piercing screws in place of nails or barbed tabs.
- 3) Remove shipping screw from underneath side of plaster frame, marked with red arrow.

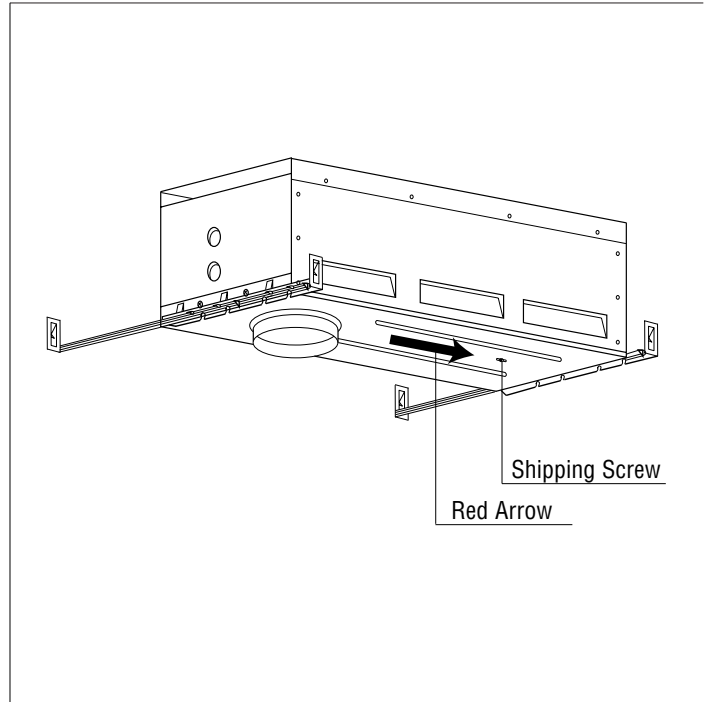
T-Bar Ceilings:

- 1) If mounting to a T-Bar type ceiling, mount fixture onto grid by placing notches on the bottom of each end of the bar hanger over the grid.
- 2) Tie fixture to grid with structural wire going through both the circular knockout on the end of the bar hanger and nearest accompanying knockout on the ceiling grid.

Note: It is imperative to tie down the fixture to prevent the fixture from being pushed above the ceiling during trim installation.

Minimum Clearances:

IC housings are rated for direct contact and do not have any minimum clearance requirements.



ELECTRICAL CONNECTIONS:

1. Connect 1/2 inch trade size steel conduit to junction box with appropriate fitting. If using Romex-type shielded wiring, use rectangular pry-out strain reliefs located on upper corners of junction box.
2. Connect -
 - Black - Supply Voltage
 - White - Neutral
 - Green Grounding J-Box Wire - Copper or green grounding wire

NOTE ON GROUNDING: Many structures carry grounding via steel conduit. If this is the case, if there is no grounding wire, simply leave green wire on fixture unattached. Fixture will be grounded through attachment of conduit to junction box. However, if Romex or PVC conduit is used, ground wire will always be present, and must be connected to green wire on fixture junction box to avoid electrical shock hazard.