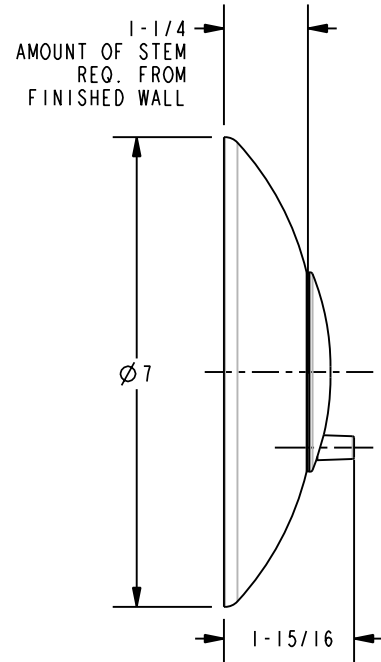
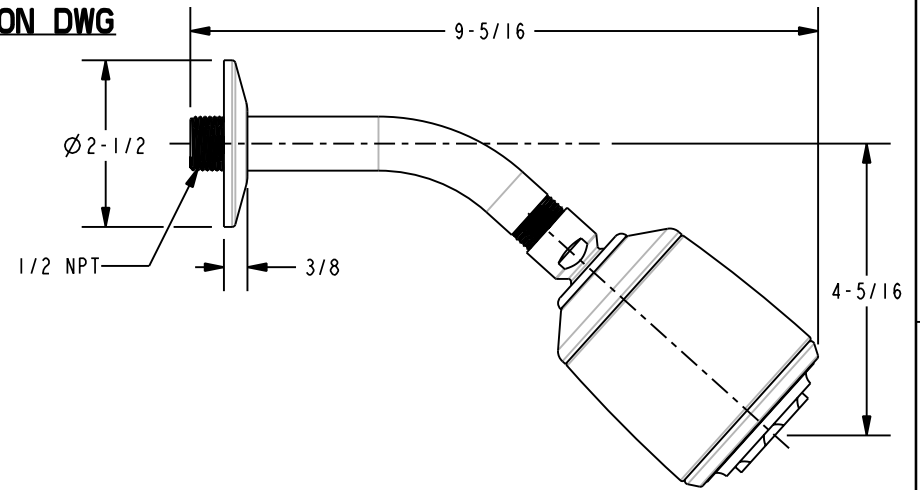
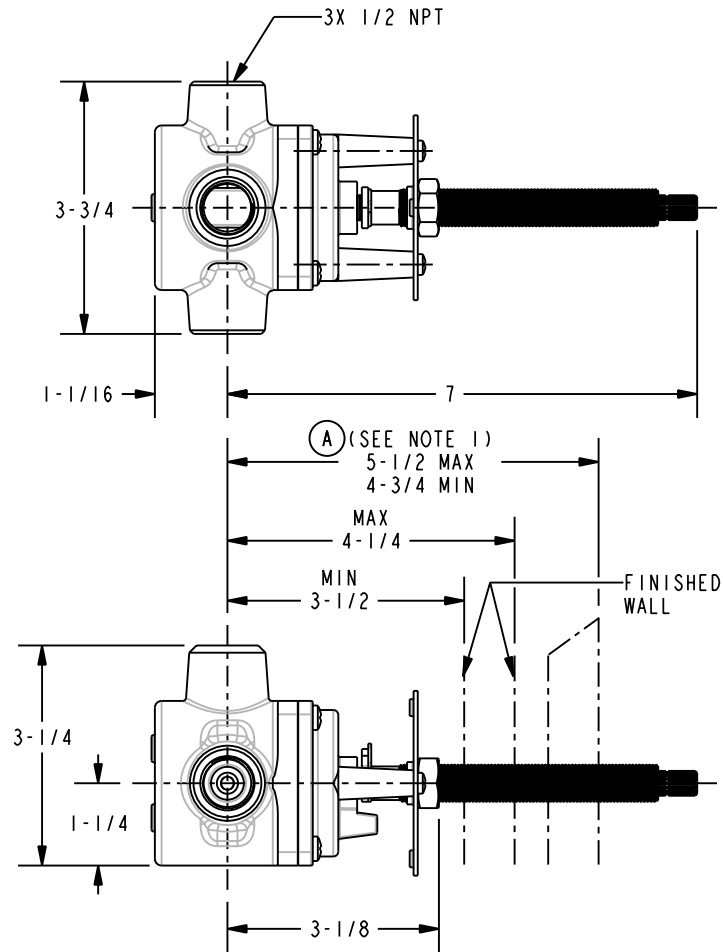


NOTES:

- CUT STEM TO DIMENSION "A".
CUT ALL-THREAD 3/4"
SHORTER THAN STEM.

SPECIFICATION DWG



DIMENSIONS ARE IN INCHES AND AN APPROXIMATION OF A TYPICAL INSTALLATION

COPYRIGHT 2003 BRASSTECH, INC. THESE DRAWINGS AND THE DESIGNS DEPICTED HEREIN ARE THE PROPRIETARY PROPERTY OF BRASSTECH. ANY USE OR REPRODUCTION IS SUBJECT TO THE EXPRESS APPROVAL OF BRASSTECH. UNAUTHORIZED USE IS STRICTLY PROHIBITED. ALL RIGHTS RESERVED.

BRASSTECH
INCORPORATED
2001 E. CARNEGIE AVE.
SANTA ANA, CA 92705
(949) 417-5207

BP SHOWER SET

ASSY. NO.		1704BP_SPEC			
SCALE .350	REF. -	SHEET 1 OF 1	REV	REV DESC	DATE
				EO-0258	03/17/04