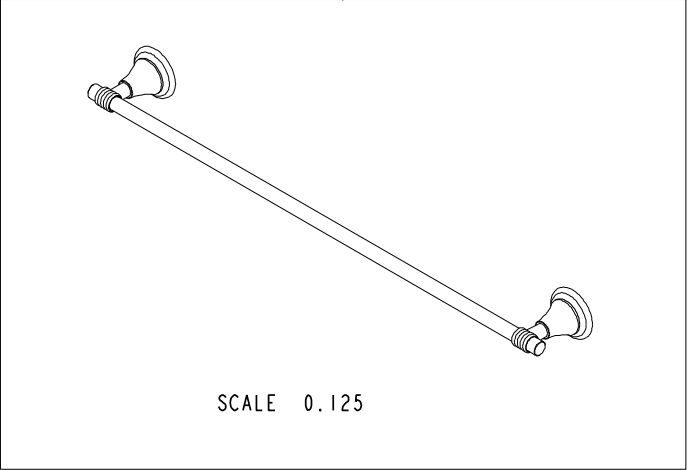


BILL OF MATERIAL (CURRENT LEVEL)

ITEM	PT/ASSY	DESCRIPTION	TYPE	QTY.
1	10124	24 IN. TOWEL BAR	PART	1
2	1-211	ACCESSORY MTG KIT	ASSEMBLY	2
3	10048	ESCUTCHEON W/S VALVE	PART	2
4	10095	ESCUTCHEON, 900 SERIES	PART	2
5	1-125	HARDWARE KIT	ASSEMBLY	2
6	7-602	POST ASM TWL BAR LEFT	ASSEMBLY	1
7	7-603	POST ASM TWL BAR RIGHT	ASSEMBLY	1



COPYRIGHT 2005 BRASSTECH, INC. THESE DRAWINGS AND THE DESIGNS DEPICTED HEREIN ARE THE PROPRIETARY PROPERTY OF BRASSTECH. ANY USE OR REPRODUCTION IS SUBJECT TO THE EXPRESS APPROVAL OF BRASSTECH. UNAUTHORIZED USE IS STRICTLY PROHIBITED. ALL RIGHTS RESERVED.

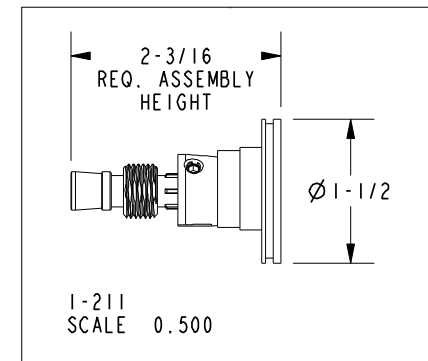
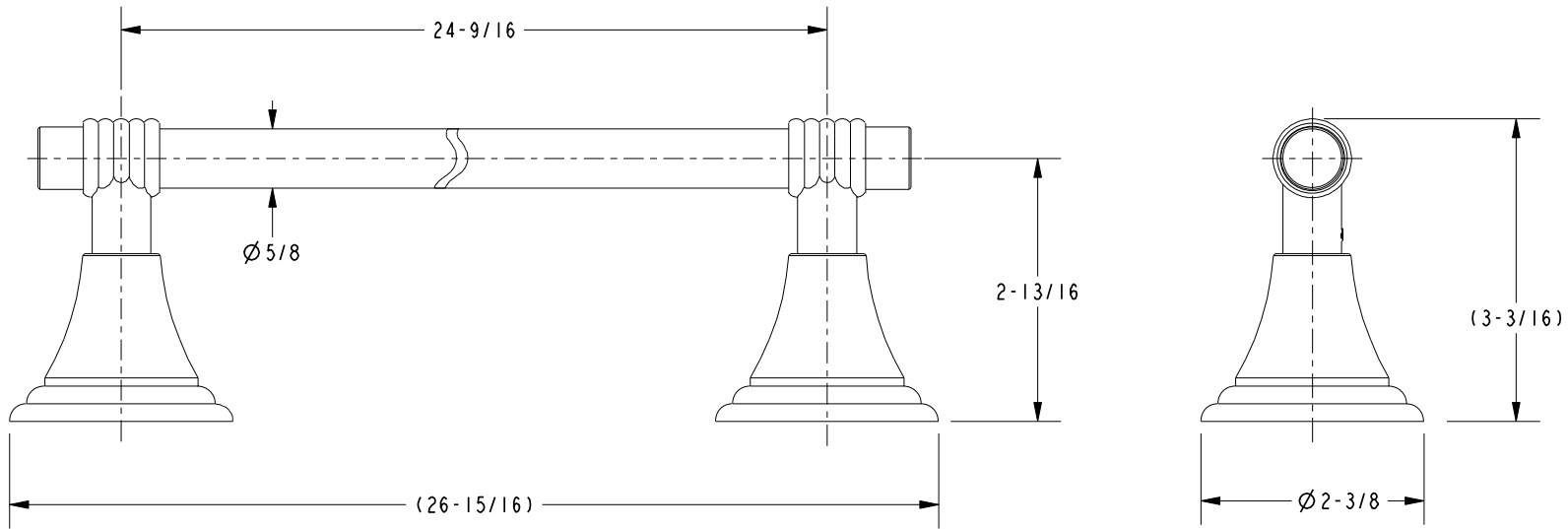
BRASSTECH
INCORPORATED

2001 E. CARNEGIE AVE.
SANTA ANA, CA 92705
(949) 417-5207

24" TOWEL BAR

ASSY. NO.	17-02	
SCALE 0.300	REF. -	SHEET 1 OF 2
REV	REV DESC	DATE
B	EN-1241	12/10/09
A	EO-0360	07/01/04
-	RELEASED	06/10/03

SPECIFICATION DWG



DIMENSIONS ARE IN INCHES AND AN APPROXIMATION OF A TYPICAL INSTALLATION

COPYRIGHT 2005 BRASSTECH, INC. THESE DRAWINGS AND THE DESIGNS DEPICTED HEREIN ARE THE PROPRIETARY PROPERTY OF BRASSTECH. ANY USE OR REPRODUCTION IS SUBJECT TO THE EXPRESS APPROVAL OF BRASSTECH. UNAUTHORIZED USE IS STRICTLY PROHIBITED. ALL RIGHTS RESERVED.

BRASSTECH		2001 E. CARNEGIE AVE. SANTA ANA, CA 92705 (949) 417-5207	
INCORPORATED			
DWG NO.	17-02	REV	B
SCALE 0.500	REF. -	SHEET 2 OF 2	