

EAST LINEAR

Toilet Tissue Holder **16-28**

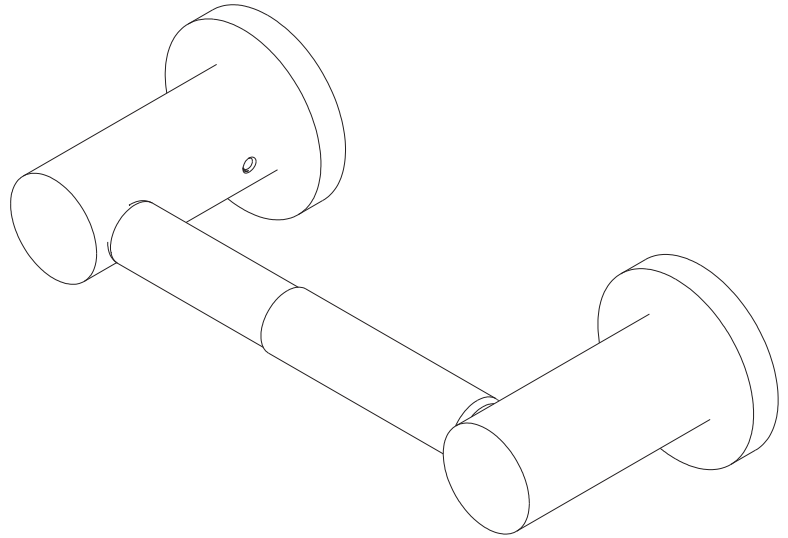
Features

- Solid brass construction
- Double-post design with spring-loaded roller
- Complements East Linear product series

Codes / Standards Compliance

Meets or exceeds the following at date of manufacture:

- All applicable US Federal and State material regulations



Colors / Finishes

- 15: Polished Nickel
- 15S: Satin Nickel
- 26: Polished Chrome
- 10B: Oil Rubbed Bronze
- Other: Refer to the Newport Brass catalog for additional color/finish options.

Specified Model

Model	Description	Colors Finishes				
16-28	Toilet Tissue Holder	<input type="checkbox"/> 15	<input type="checkbox"/> 15S	<input type="checkbox"/> 26	<input type="checkbox"/> 10B	<input type="checkbox"/> Other

Product Specification: Add "Color / Finish" Suffix to Model Number Below.

The Toilet Tissue Holder shall be made of solid brass construction and incorporate a double-post, spring-loaded roller design. Toilet Tissue Holder shall complement Newport Brass East Linear product series. Toilet Tissue Holder shall be Newport Brass Model 16-28/_____.

16-28

Product Dimensions (units are in inches)

