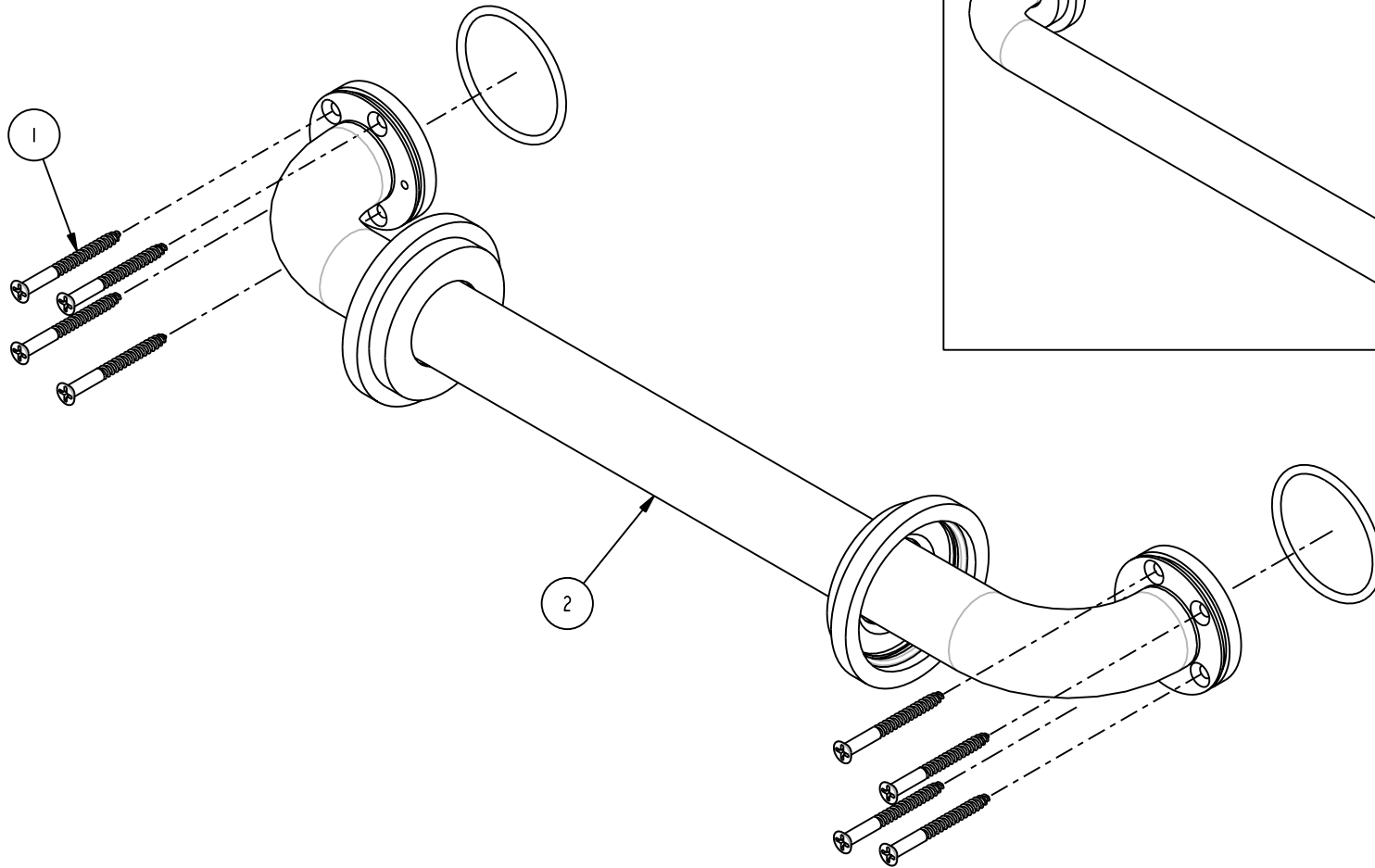


BILL OF MATERIAL (CURRENT LEVEL)				
ITEM	PT/ASSY	DESCRIPTION	TYPE	QTY.
1	7-009	HARDWARE KIT - GRAB BAR	ASSEMBLY	1
2	7-537	16" MDRN GRAB BAR ASM	ASSEMBLY	1



BRASSTECH 2001 E. CARNEGIE AVE
 INCORPORATED SANTA ANA, CA 92705
 (949) 417-5207

GRAB BAR 16" MODERN

ASSY. NO. 16-36

-	RELEASED	07/31/02
REV	REV DESC	DATE

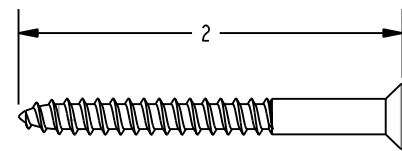
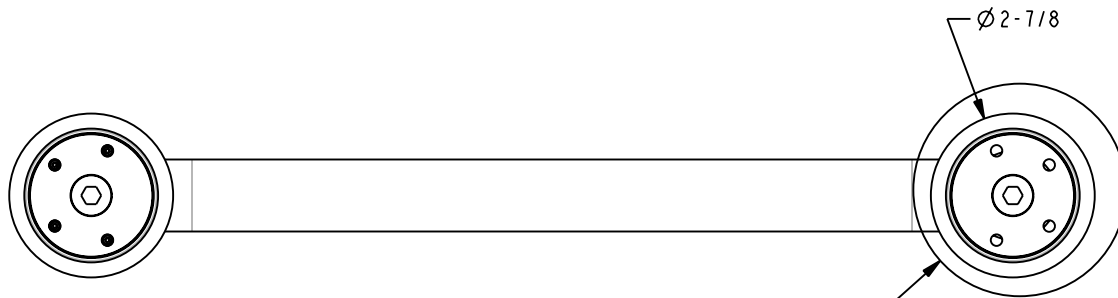
SCALE 0.400

REF. -

SHEET 1 OF 1

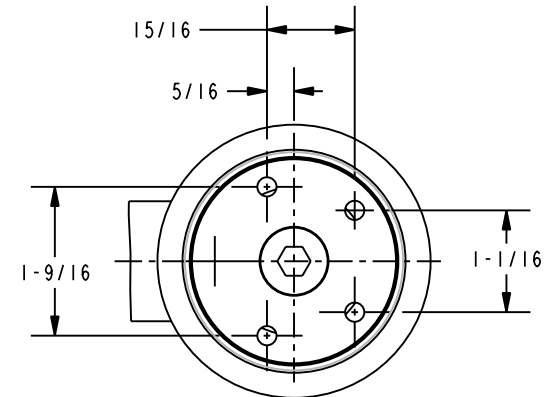
COPYRIGHT ©

SPECIFICATION DWG

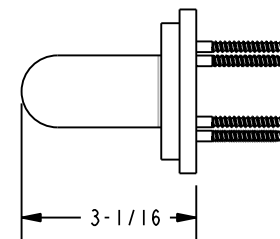
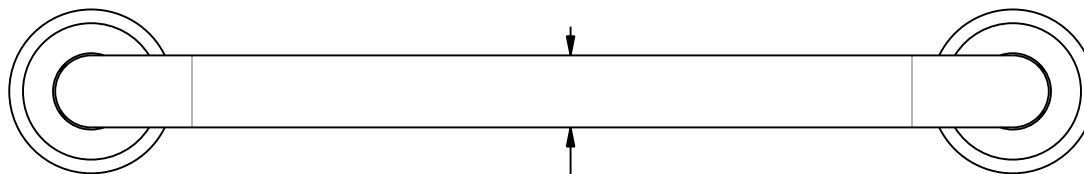
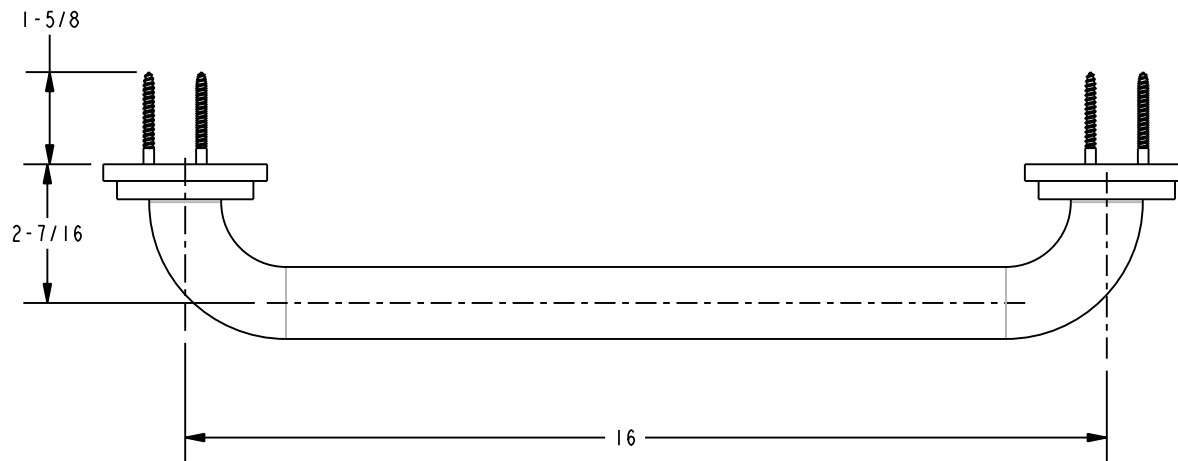


WOOD SCREW - #10 X 2"

SEE DETAIL A



DETAIL A
SCALE 0.500
WALL MOUNT



DIMENSIONS ARE IN INCHES AND AN APPROXIMATION OF A TYPICAL INSTALLATION

BRASSTECH 2001 E. CARNEGIE AVE.
INCORPORATED SANTA ANA, CA 92705
(949) 417-5207

GRAB BAR 16" MODERN

ASSY. NO. 16-36_SPEC

SCALE 0.300

REF. -

SHEET 1 OF 1

COPYRIGHT ©

-	RELEASED	07/31/02
REV	REV DESC	DATE