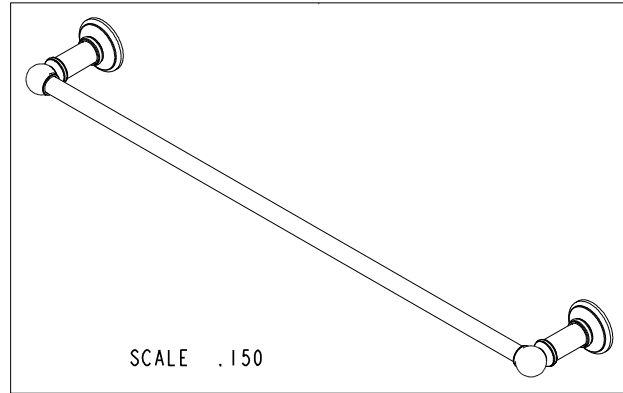
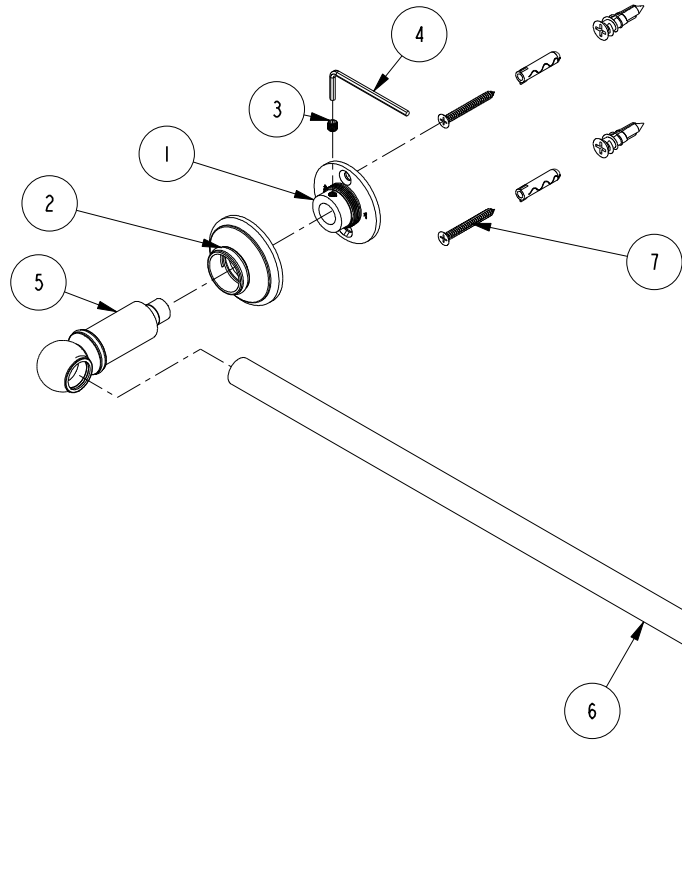


NOTES:

(NI) 1. FIT / FORM / FUNCTION SHALL FOLLOW PS-E.008.

BILL OF MATERIAL (CURRENT LEVEL)

ITEM	PT/ASSY	DESCRIPTION	TYPE	QTY.
1	45XX	MOUNTING FLANGE	PART	2
2	40460	ROSETTE	PART	2
3	92308	SCRW, M5 X 5 SKT HD CUP PT W/ SELF LOC SS	PART	2
4	10888	HEX KEY, 2.5MM ALLOY STEEL	PART	1
5	7-703	TOWEL BAR / TISSUE HOLDER - POST ASM	ASSEMBLY	2
6	40463	TOWEL BAR TUBE	PART	1
7	1-206	HARDWARE PACK	ASSEMBLY	2



TESTING	-	-	-
ASSEMBLY	-	-	-
PLATING	-	-	-
POLISHING	-	NEXT ASSY	USED ON
MACHINING	-	APPLICATION	
TOOLING FIXTURE #	REMOVE ALL BURRS AND SHARP EDGES		

UNITS ARE: INCHES [MM]  
 TOLERANCES ARE:  
 FRACTIONS DECIMALS ANGLES  
 $\pm 1/16"$  .X  $\pm .1$  [2.5]  $\pm 1^\circ$   
 .XX  $\pm .06$  [1.5]

(X.XXX) DENOTES CRITICAL DIMS.  
 ALL THREADS ARE CRITICAL

DRAWN	R.S.	12/09/11
CHECKED	R.S.	12/09/11
APPROVED	R.S.	12/09/11

**BRASSTECH** 2001 CARNEGIE AVE.  
 INCORPORATED SANTA ANA, CA 92705  
 (949) 417-5207

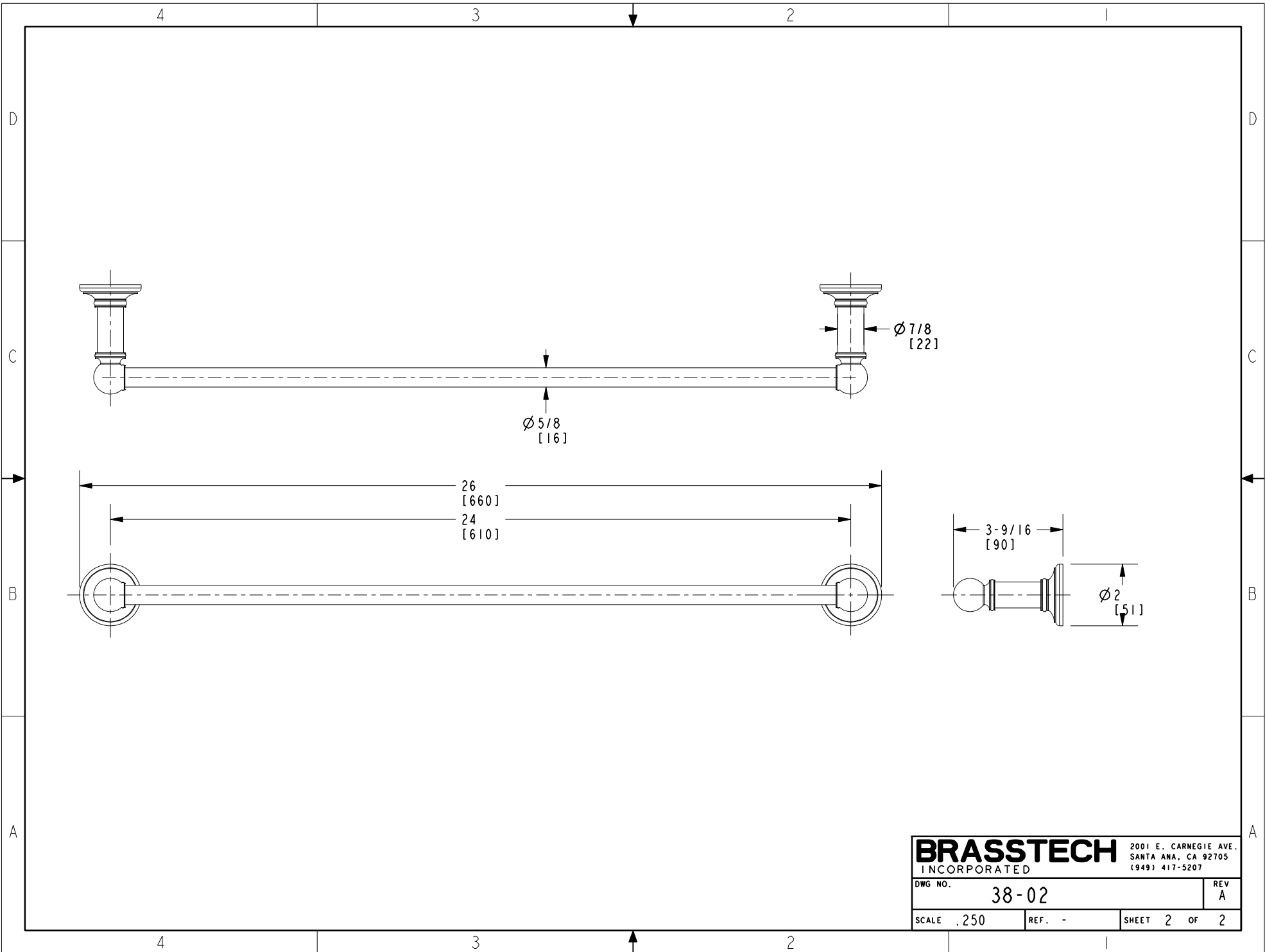
24" TOWEL BAR ASSEMBLY

DWG NO. 38-02

SCALE .250 REF. - SHEET 1 OF 2

COPYRIGHT 2005 BRASSTECH, INC.  
 THESE DRAWINGS AND THE DESIGNS  
 DEPICTED HEREIN ARE THE PROPRIETARY  
 PROPERTY OF BRASSTECH. ANY USE  
 OR REPRODUCTION IS SUBJECT TO  
 THE EXPRESS APPROVAL OF BRASSTECH.  
 UNAUTHORIZED USE IS STRICTLY  
 PROHIBITED. ALL RIGHTS RESERVED.

ZONE	REV	DESCRIPTION	DATE	APPROVED
-	A	EN-4032	12/04/19	R.S.
-	-	EN-1916	12/09/11	R.S.



<b>BRASSTECH</b>		2001 E. CARNEGIE AVE. SANTA ANA, CA 92705 (949) 417-5207	
DWG NO.	38-02	REV	A
SCALE	.250	REF.	-
		SHEET	2 OF 2