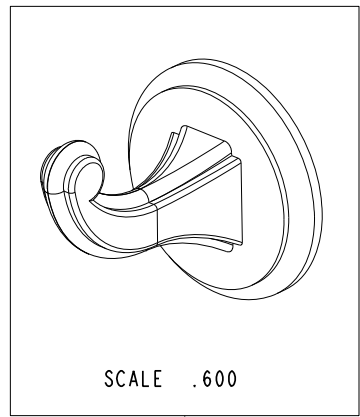
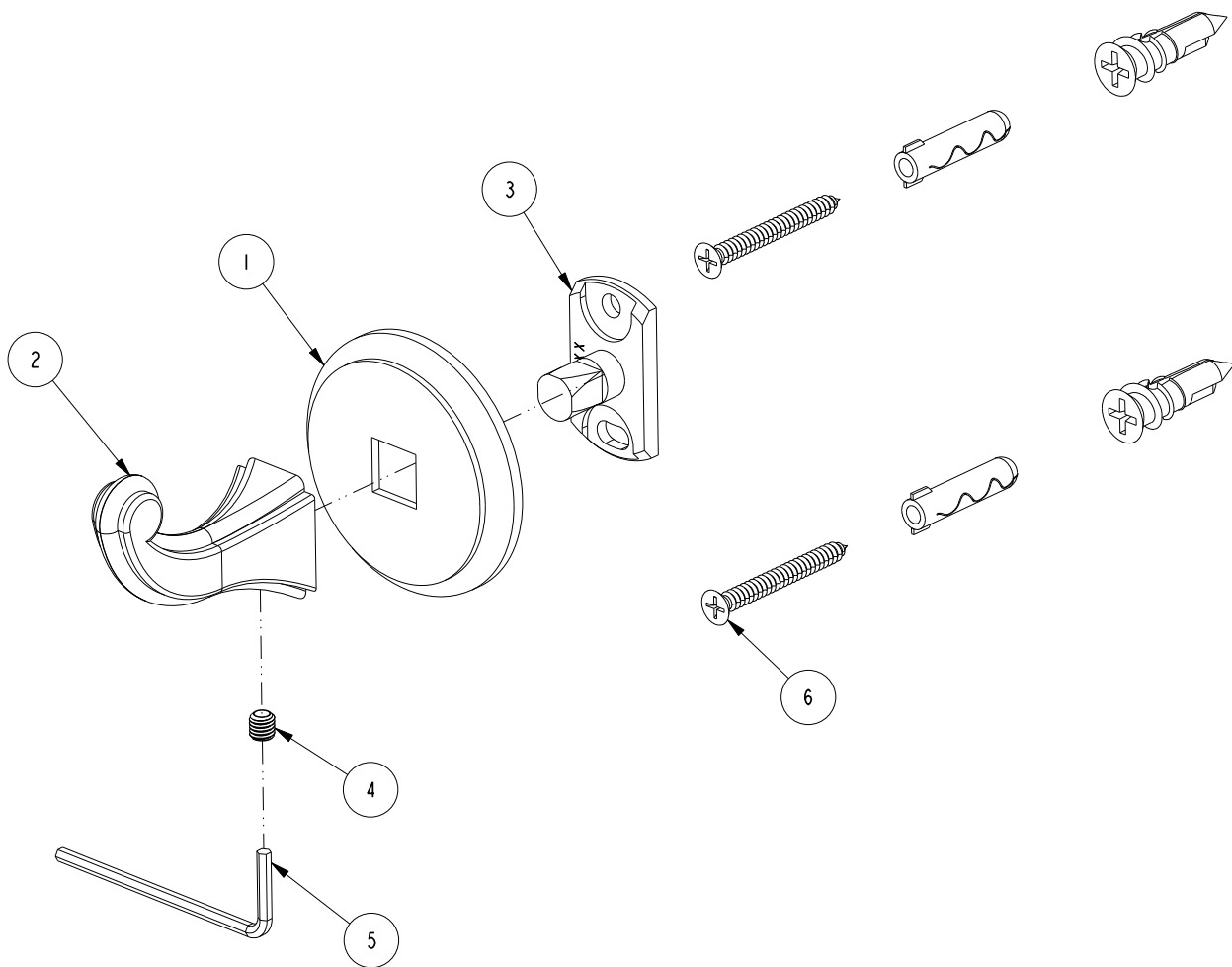


BILL OF MATERIAL (CURRENT LEVEL)				
ITEM	PT/ASSY	DESCRIPTION	TYPE	QTY.
1	40482	ROSETTE	PART	1
2	40495	SMALL HOOK POST	PART	1
3	07XX	MOUNTING BRACKET	PART	1
4	92308	SCRW, M5 X 5 CUP POINT 18-8 SS SOCKET HD SET (MMC# 92015A117)	PART	1
5	10888	2.5MM ALLOY STEEL HEX KEY	PART	1
6	1-206	HARDWARE PACK	ASSEMBLY	1



COPYRIGHT 2005 BRASSTECH, INC. THESE DRAWINGS AND THE DESIGNS DEPICTED HEREIN ARE THE PROPRIETARY PROPERTY OF BRASSTECH. ANY USE OR REPRODUCTION IS SUBJECT TO THE EXPRESS APPROVAL OF BRASSTECH. UNAUTHORIZED USE IS STRICTLY PROHIBITED. ALL RIGHTS RESERVED.

**BRASSTECH**  
INCORPORATED  
2001 E. CARNEGIE AVE.  
SANTA ANA, CA 92705  
(949) 417-5207

SINGLE ROBE HOOK

ASSY. NO.	39-12		A	EN-1984A	01/10/12
SCALE	.675	REF.	-	EN-1984	12/14/11
SHEET	1	OF	2	REV	REV DESC
					DATE