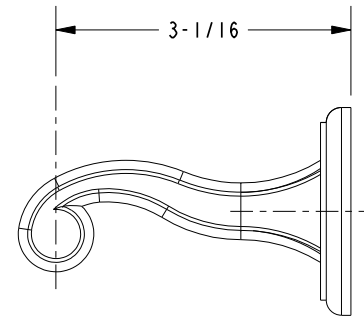
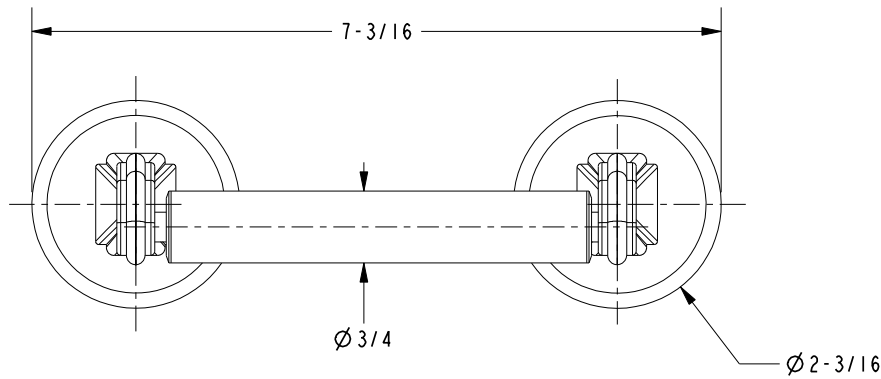
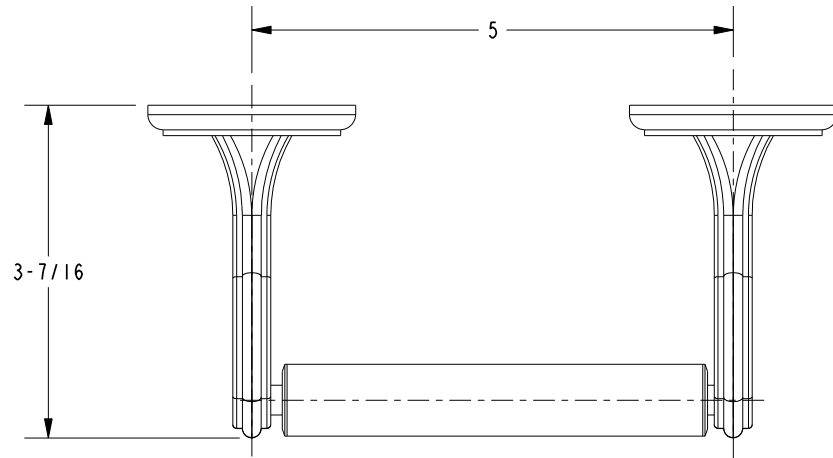


SPECIFICATION DWG



DIMENSIONS ARE IN INCHES AND AN APPROXIMATION OF A TYPICAL INSTALLATION

COPYRIGHT 2005 BRASSTECH, INC. THESE DRAWINGS AND THE DESIGNS DEPICTED HEREIN ARE THE PROPRIETARY PROPERTY OF BRASSTECH. ANY USE OR REPRODUCTION IS SUBJECT TO THE EXPRESS APPROVAL OF BRASSTECH. UNAUTHORIZED USE IS STRICTLY PROHIBITED. ALL RIGHTS RESERVED.

| | | | |
|------------------|-------|-----------------------|--------|
| BRASSTECH | | 2001 E. CARNEGIE AVE. | |
| INCORPORATED | | SANTA ANA, CA 92705 | |
| | | (949) 417-5207 | |
| DWG NO. | 39-28 | REV | A |
| SCALE | .500 | REF. | - |
| | | SHEET | 2 OF 2 |