

4

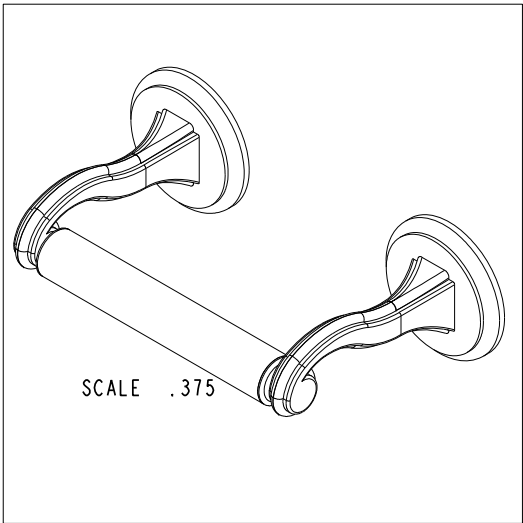
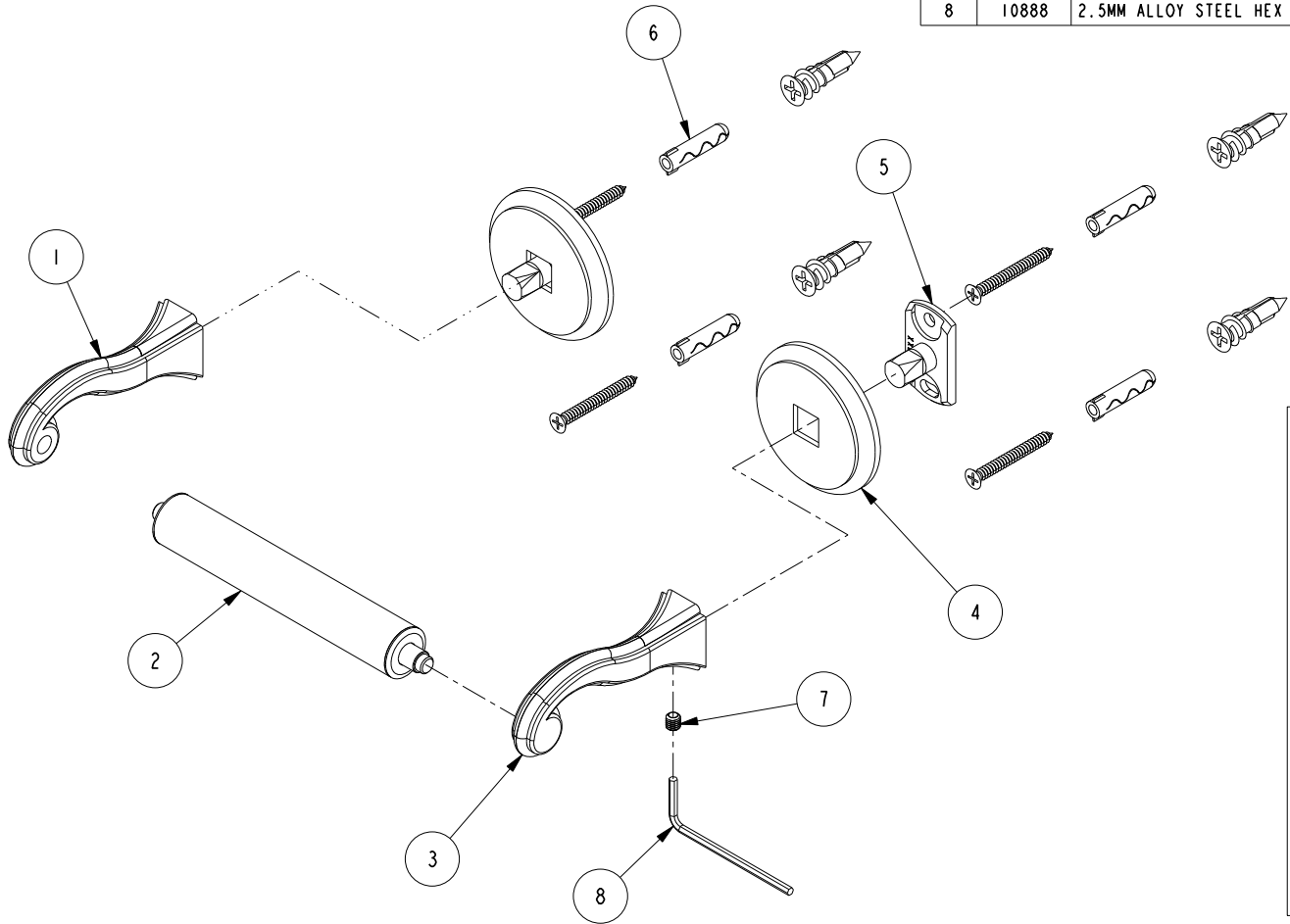
3

2

1

BILL OF MATERIAL (CURRENT LEVEL)

ITEM	PT/ASSY	DESCRIPTION	TYPE	QTY.
1	40487	LEFT TOWEL BAR POST	PART	1
2	7-708	TOILET TISSUE HOLDER ROD ASM	ASSEMBLY	1
3	40488	RIGHT TOWEL BAR POST	PART	1
4	40482	ROSETTE	PART	2
5	07XX	MOUNTING BRACKET	PART	2
6	1-206	HARDWARE PACK	ASSEMBLY	2
7	92308	SCRW, M5 X 5 CUP POINT 18-8 SS SOCKET HD SET (MMC# 92015A117)	PART	2
8	10888	2.5MM ALLOY STEEL HEX KEY	PART	1



COPYRIGHT 2005 BRASSTECH, INC. THESE DRAWINGS AND THE DESIGNS DEPICTED HEREIN ARE THE PROPRIETARY PROPERTY OF BRASSTECH. ANY USE OR REPRODUCTION IS SUBJECT TO THE EXPRESS APPROVAL OF BRASSTECH. UNAUTHORIZED USE IS STRICTLY PROHIBITED. ALL RIGHTS RESERVED.

BRASSTECH
 INCORPORATED
 2001 E. CARNEGIE AVE.
 SANTA ANA, CA 92705
 (949) 417-5207

DOUBLE POST TISSUE HOLDER

ASSY. NO. 39-28

SCALE .400

REF. -

SHEET 1 OF 2

-	-	-
A	EN-1984A	01/12/12
-	EN-1984	12/14/11
REV	REV DESC	DATE

4

3

2

1