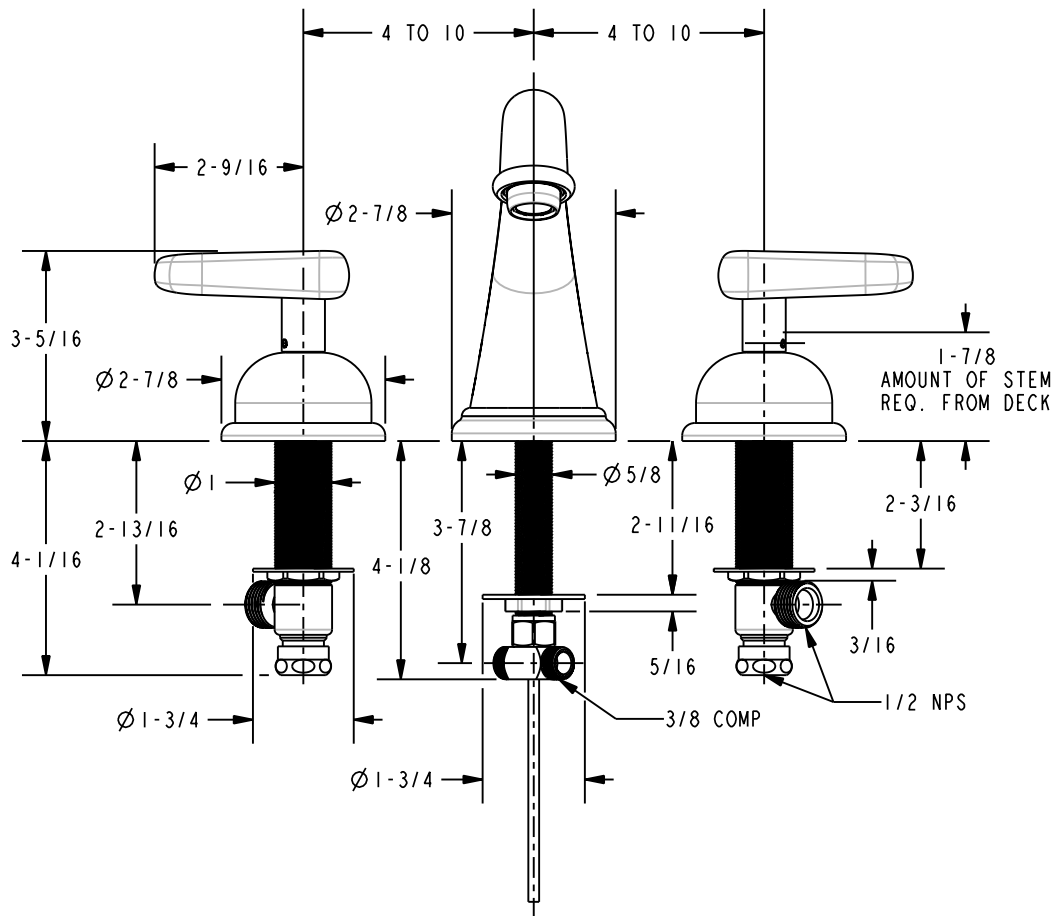
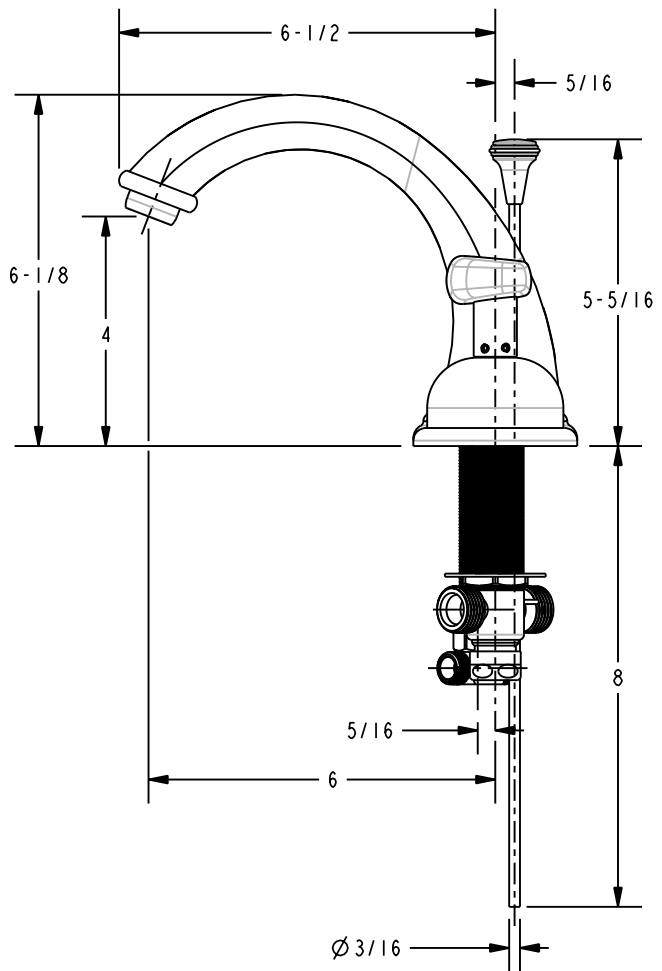


SPECIFICATION DWG



DIMENSIONS ARE IN INCHES AND AN APPROXIMATION OF A TYPICAL INSTALLATION

BRASSTECH 2001 E. CARNEGIE AVE.
INCORPORATED SANTA ANA, CA 92705
(949) 417-5207

WIDESPREAD FAUCET

ASSY. NO. **1100_SPEC**

SCALE 0.300

REF. -

SHEET 1 OF 1

COPYRIGHT ©

-	RELEASED	08/20/02
REV	REV DESC	DATE