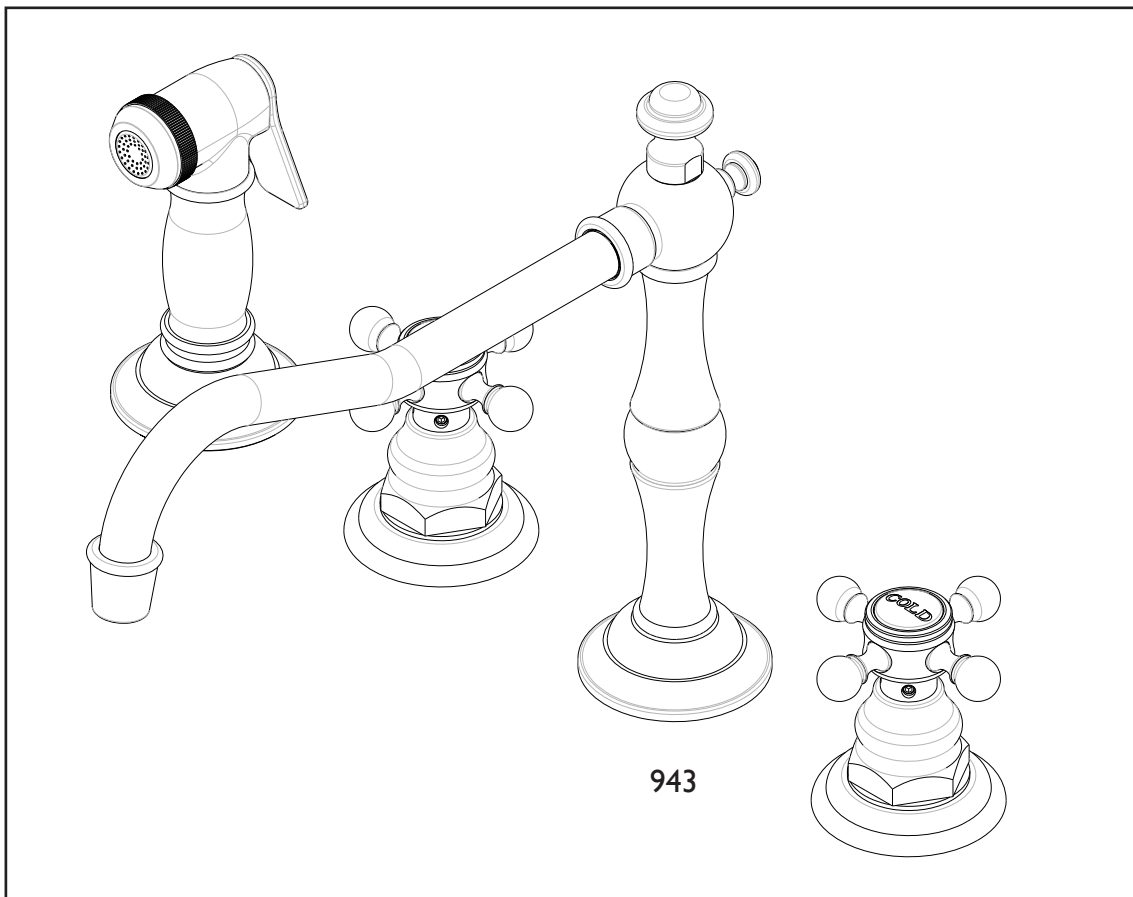


INSTALLATION INSTRUCTIONS  
WIDE SPREAD KITCHEN SET  
WITH SIDE SPRAY  
Model No: 943, 946, 973,

NEWPORT BRASS®

*Flawless Beauty. From Faucet to Finish.™*



**Congratulations on the purchase  
of this Newport Brass product,  
an excellent choice, that will give you  
years of quality service and enhance  
the look and style of your home.**

# Installation Instructions

We Recommend Installation by a Licensed Plumbing Professional

**Note:** The use of petroleum based plumbers putty on our products will nullify the warranty.

We recommend the use of clear silicone sealing materials. Recommended deck hole Ø1.25.

If mounting faucet to a stainless steel rim, an under-mount support, (e.g. wood, appropriate size x 1/2" thick), should be utilized.

- Place the DIVERTER TEE (2) through sink hole of mounting surface. Thread DIVERTER TEE (2) into SPOUT (1). Secure SPOUT (1) into place with FLANGE NUT (3). See Figure 1.
- Place NUT (4) and WASHER (5) on VALVE BODY (6). Insert VALVE BODY(6), (blue = cold and red = hot), through hole in the mounting surface. Place WASHER (5) and NUT (4) onto top portion of VALVE (6). Adjust VALVE (6) to proper height of 2 1/2". See Figure 1.
- Connect a FLEX HOSE (7) to side outlet of each VALVE BODY (6). Attach the other end of FLEX HOSE (7) to either side of DIVERTER TEE (2). Hand tighten each connection and secure with a wrench, (1/4 turn). See Figure 2.
- Attach hot/cold water supply hoses (not included) to appropriate valve utilizing CONE WASHER (8), FRIC-TION RING(9) and NUT (10) supplied. See Figure 1.
- Turn VALVE STEM (6) to off position. Attach ESCUTCHEON (11) BONNET (12) and HANDLE (13). Any adjustments for rotational alignment must be made to the VALVE BODY (6), not to the cartridge. Allow minimum spacing between HANDLE (13) and BONNET (9) to prevent damage to the surface finish. Secure HANDLE (13) into place with SET SCREW (14). Remove adhesive backing from desired BUTTON (15) and place onto HANDLE (13). See Figure 3.
- Secure BASE (17) in place by attaching the MOUNTING KIT (18) to underside of deck. Place SPRAY (16) and HOSE (20) through BASE (17). Tighten HOSE (20) onto DIVERTER TEE (2).
- Remove AERATOR (21) from SPOUT (1), turn on water supply, and flush both valves until water is clear. Check for leaks and make any final adjustments required. Re-attach AERATOR (21) to the SPOUT (1).

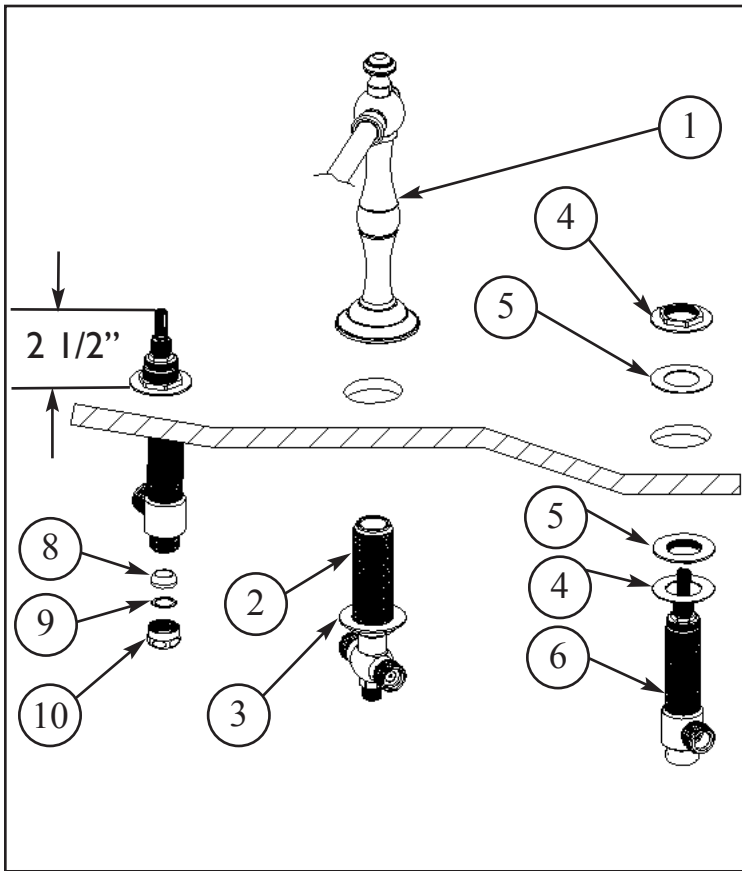


Figure 1

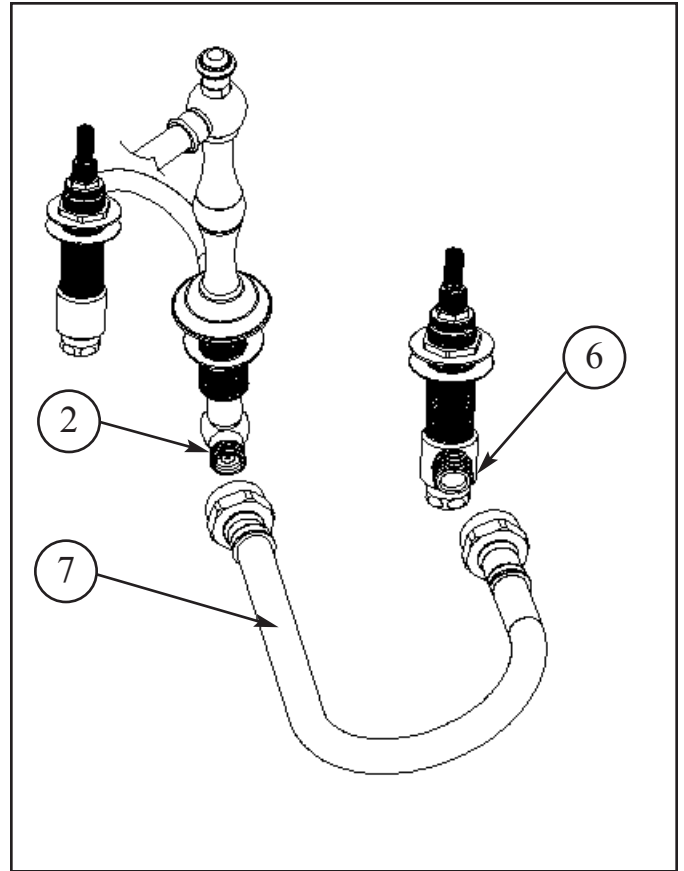


Figure 2

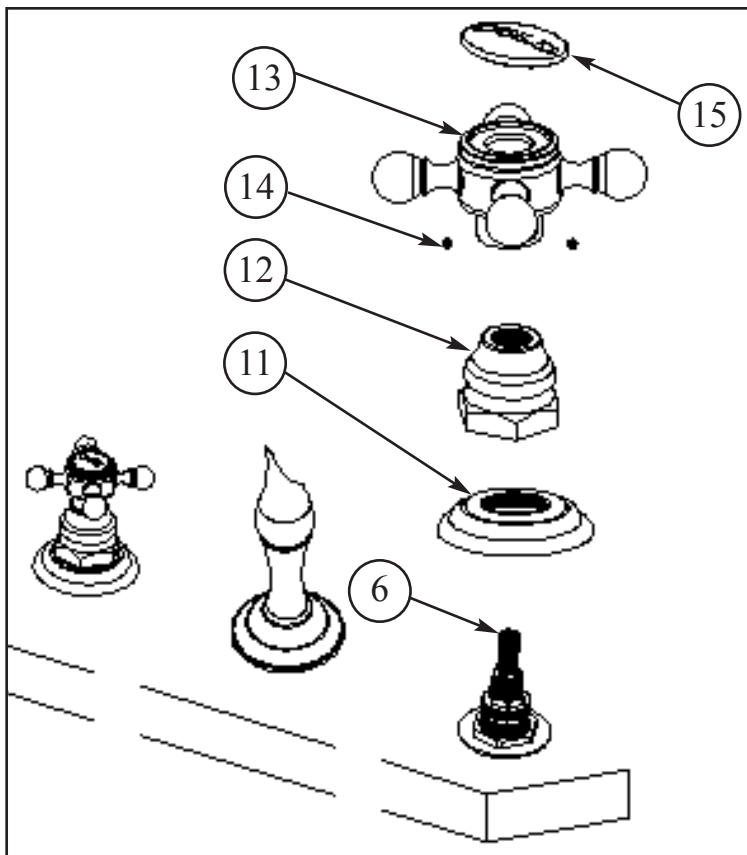


Figure 3

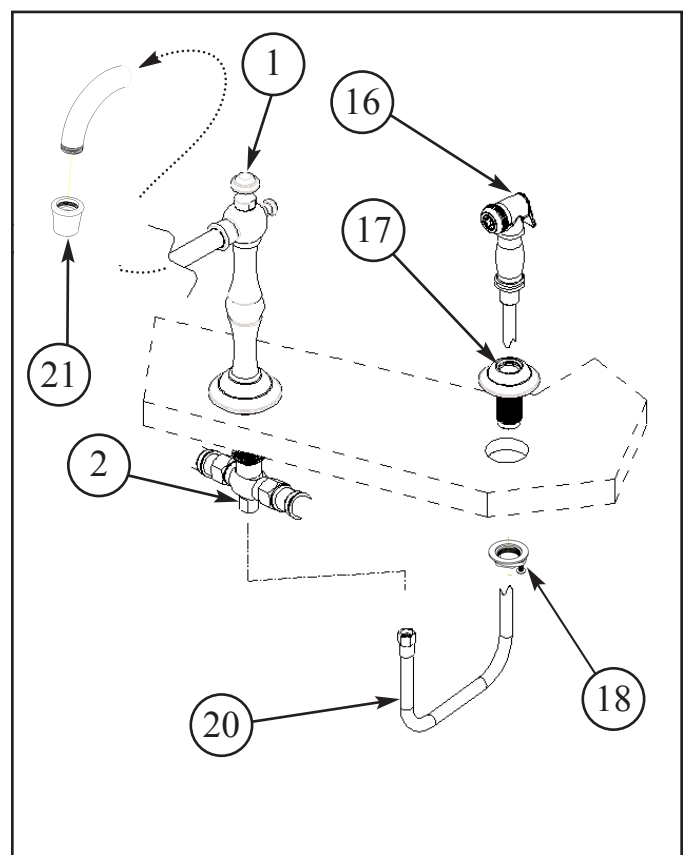


Figure 4