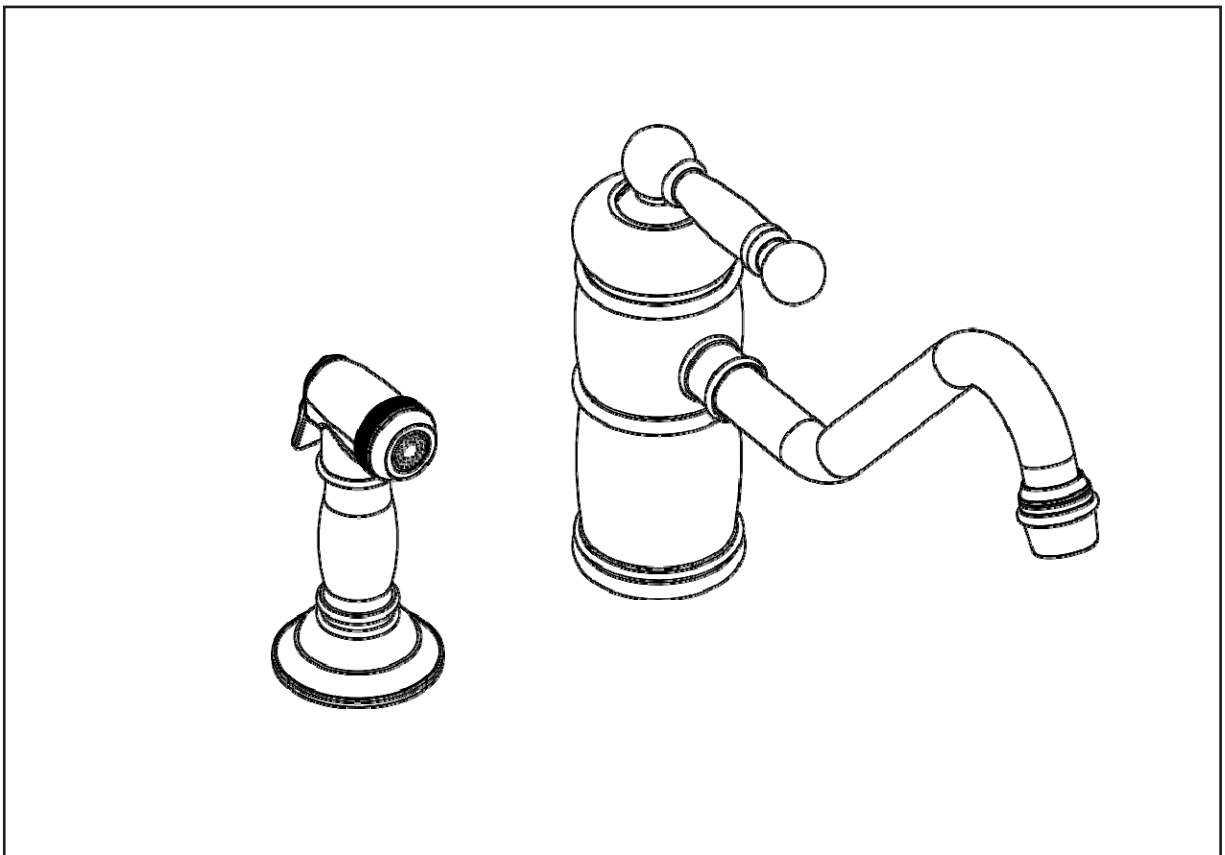


INSTALLATION INSTRUCTIONS  
KITCHEN FAUCET  
Model No: 940, 941

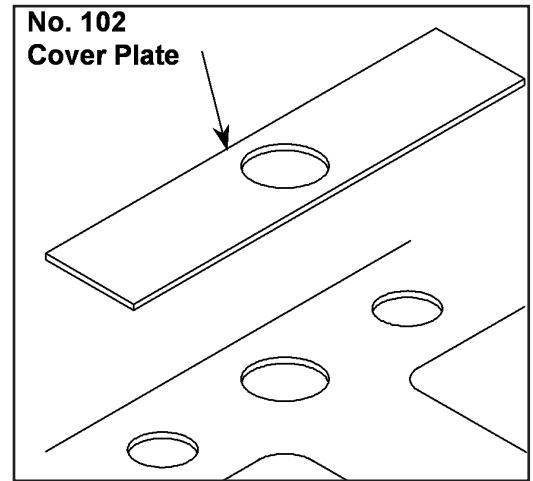
NEWPORT BRASS®  
*Flawless Beauty. From Faucet to Finish.™*



**Congratulations on the purchase  
of this Newport Brass product,  
an excellent choice, that will give you  
years of quality service and enhance  
the look and style of your home.**

**Note:** If installing faucet to a stainless steel rim, an under-mount support, (e.g. wood, appropriate size x 1/2" thick), should be utilized.

1. Before installing the faucet, flush the hot and cold lines to eliminate any dirt that may have accumulated in the pipes of the home.
2. The through hole in the sink or countertop should be between 1-1/4" to 1-1/2". If the sink has three holes, use a cover plate to cover extra holes (PN: 102 is not supplied with the faucet and must be ordered separately).
3. To install the faucet, verify that the base o-ring (91773) is seated into the base, guide the flex hoses and threaded shank through the sinkhole. Secure faucet in place using kit I-256.

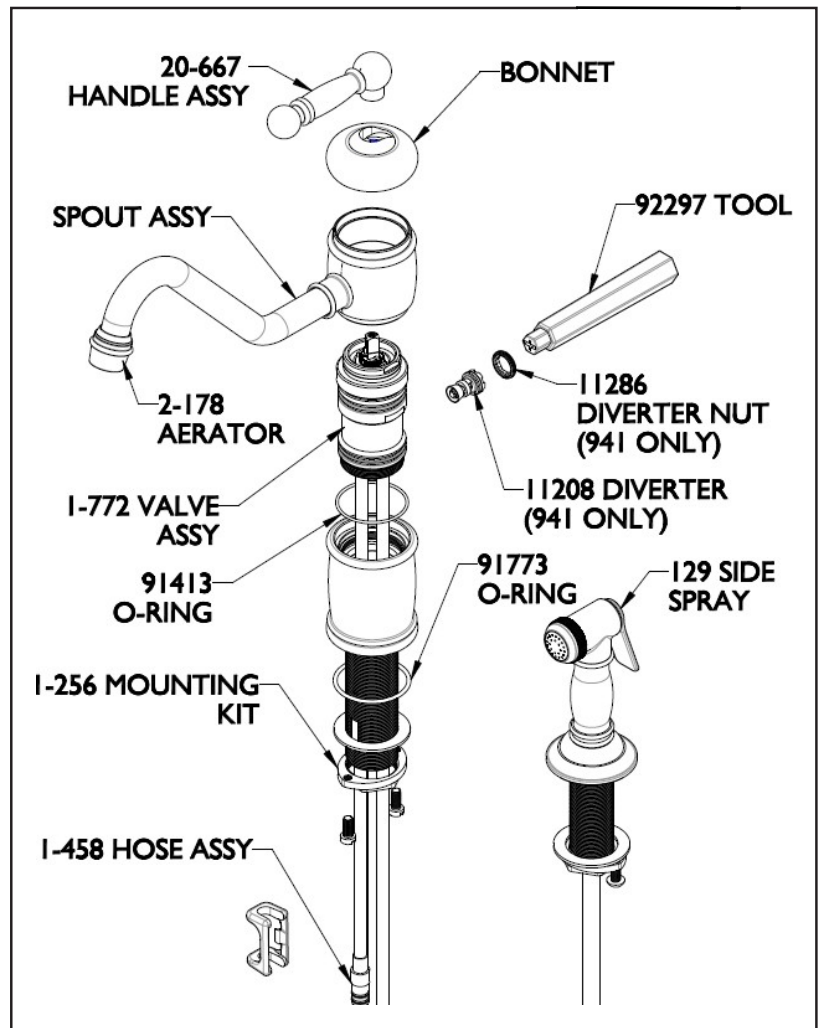


4. Position the spout and handle toward the front of the sink. Make sure that the handle swings freely and equally in both hot and cold directions. Tighten mounting nut using the two screws to secure the faucet firmly in place.

5. Connect supply line (not included) to the faucet's PEX hose inlets. The 1/2" NPT inlets are color coded BLUE for cold and RED for hot.

6. If you have purchased Model 941 with pull-out side spray, the through-hole for spray shall be 1-1/4" to 1-1/2". Place the spray base through hole and secure into place with lower mounting kit. Insert the hose of sprayer through base and use plumber's tape to attach it to the rigid brass tube. For normal installation it is not necessary to bend tube, however should it be necessary caution must be taken so that the tube is not kinked while performing bending. It is recommended that proper tube bending equipment be used.

7. After installation is complete flush faucet by removing aerator from spout and side spray head from hose (if applicable). While holding spray hose, run hot and cold water through faucet by lifting handle lever and rotating from left to right. Continue to flush until water is clear. Reinstall aerator and spray head.



## Troubleshooting and Maintenance

### **Difficult to rotate spout -**

Remove handle assembly by unscrewing escutcheon CCW. Apply plumbers (non-petroleum based) grease to the o-rings on valve body (13780).

### **Difficult to lift and/or rotate handle**

Apply plumbers grease to handle swivel ball under escutcheon. Also an over tightened locknut (13799) will cause increased pressure on the ceramic disk inside of the cartridge. Tighten locknut to a torque of 8-10 ft-lbs.

### **Poor flow from side spray and/or large flow from faucet spout while using side spray.**

Possible debris in spray hose - Remove the side spray head and while holding the hose lift faucet handle and flush hose. If a large amount of water still comes out of spout, debris may be caught inside of valve body (13780). Remove handle, spout, and spray hose from rigid tube. Using the provided tool (92297), remove diverter (11208). Use a stiff wire to clean out the diverter socket through hole and rigid tube passage.

### **Cartridge replacement -**

Remove handle assembly by unscrewing the set screw. Remove locknut by rotating nut CCW. Remove old cartridge and gasket (1-064). Install new cartridge and gasket. Tighten locknut to a torque of 8-10 ft-lbs.

