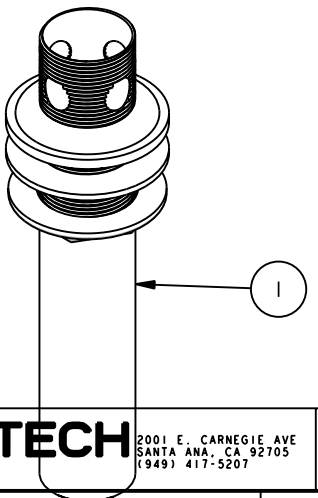
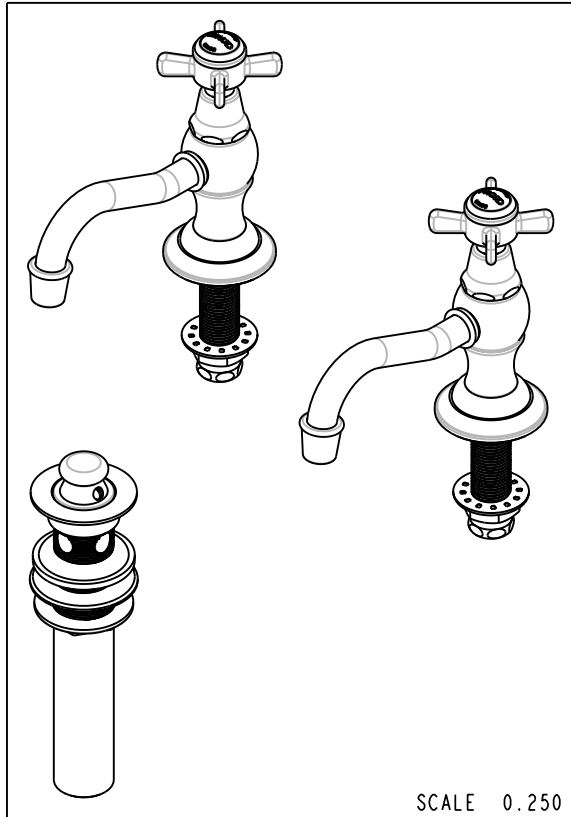
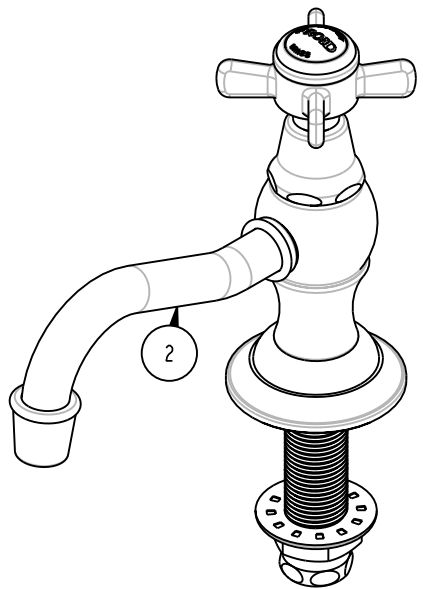
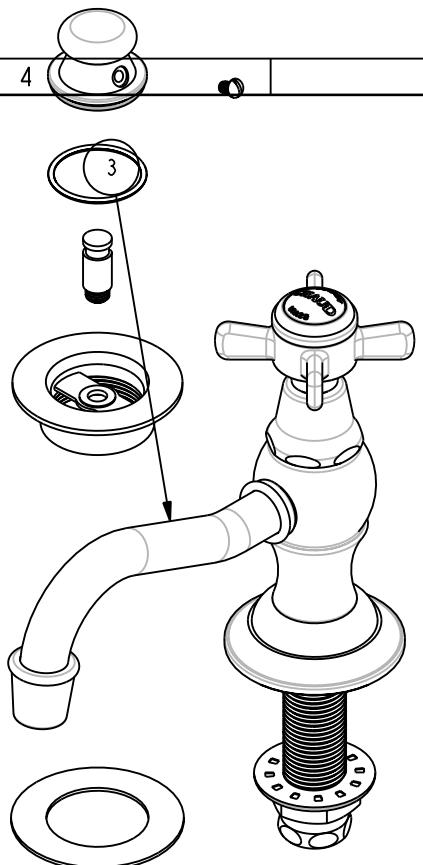


BILL OF MATERIAL (CURRENT LEVEL)				
ITEM	PT/ASSY	DESCRIPTION	TYPE	QTY.
1	320	DRAIN - LIFT & TURN	ASSEMBLY	1
2	3-231	BASIN COCK - COLD/FROID	ASSEMBLY	1
3	3-232	BASIN COCK - HOT/CHAUD	ASSEMBLY	1

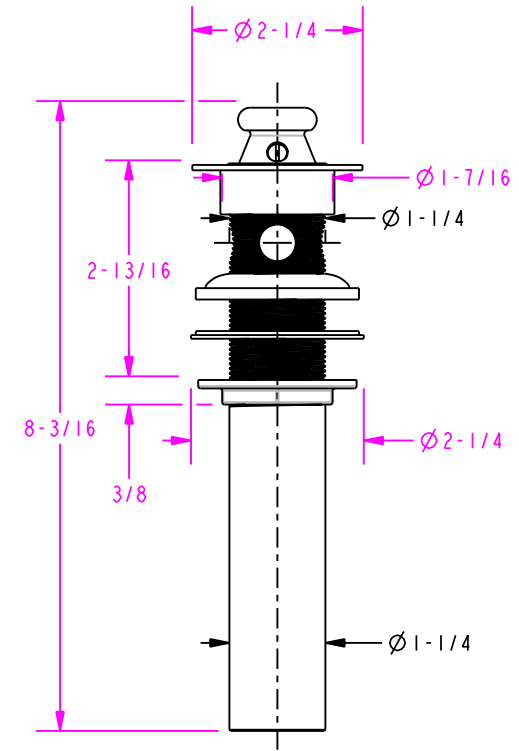
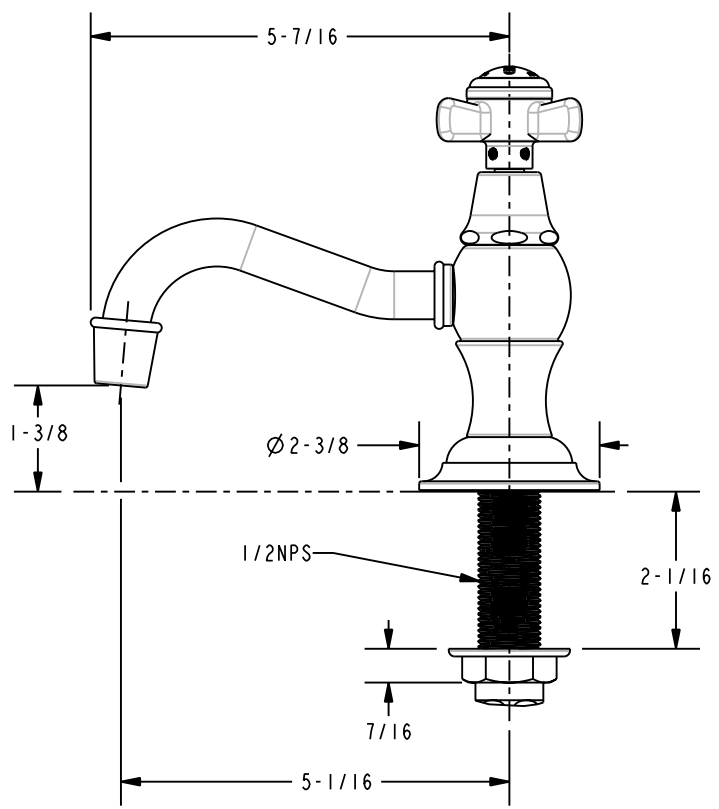
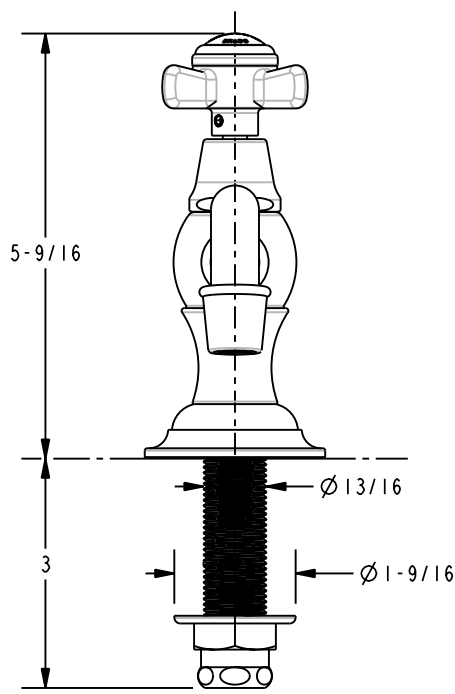
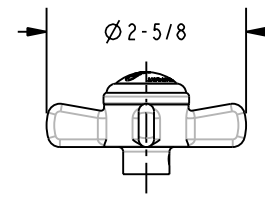


BRASSTECH
INCORPORATED
2001 E. CARNEGIE AVE
SANTA ANA, CA 92705
(949) 417-5207

BASIN COCK FAUCET SE

DRAWING NO. 1001
SCALE 0.400
REV A
SHEET 1 OF 1
UNLESS OTHERWISE SPECIFIED, DIMENSIONS ARE IN INCHES.

SPECIFICATION DWG



DIMENSIONS ARE IN INCHES AND AN APPROXIMATION OF A TYPICAL INSTALLATION

BRASSTECH 2001 E. CARNEGIE AVE.
INCORPORATED SANTA ANA, CA 92705
(949) 417-5207

BASIN COCK FAUCET SE

ASSY. NO 1001_SPEC

SCALE 0.400

REF. -

SHEET 1 OF 1

COPYRIGHT ©