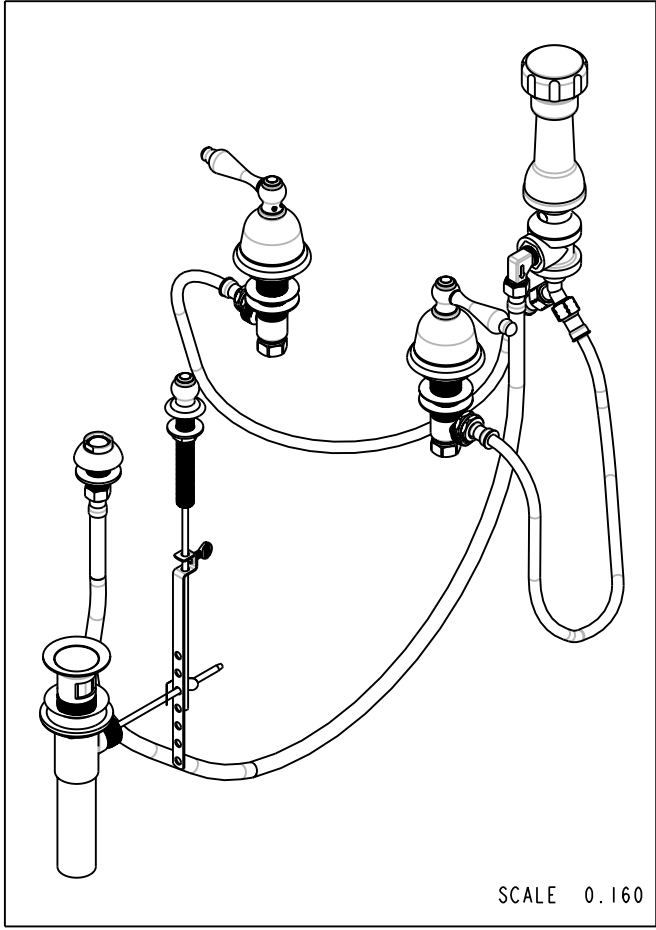


BILL OF MATERIAL (CURRENT LEVEL)

ITEM	PT/ASSY	DESCRIPTION	TYPE	QTY.
1	2-235	BIDET DIVERTER / V. BRE	ASSEMBLY	1
2	2-159	POP-UP ROD GUIDE ASSEMBLY	ASSEMBLY	1
3	10010	POP-UP KNOB	PART	1
4	10288	3/16" POP UP ROD	PART	1
5	2-236	DOUCHE SPRAY ASSEMBLY	ASSEMBLY	1
6	325	POP UP ASSEMBLY	ASSEMBLY	1
7	3-156	TRIM KIT - STOP VALVE	ASSEMBLY	2
8	1-542	VALVE KIT - BIDET	ASSEMBLY	1



SCALE 0.160

COPYRIGHT 2005 BRASSTECH, INC. THESE DRAWINGS AND THE DESIGNS DEPICTED HEREIN ARE THE PROPRIETARY PROPERTY OF BRASSTECH. ANY USE OR REPRODUCTION IS SUBJECT TO THE EXPRESS APPROVAL OF BRASSTECH. UNAUTHORIZED USE IS STRICTLY PROHIBITED. ALL RIGHTS RESERVED.

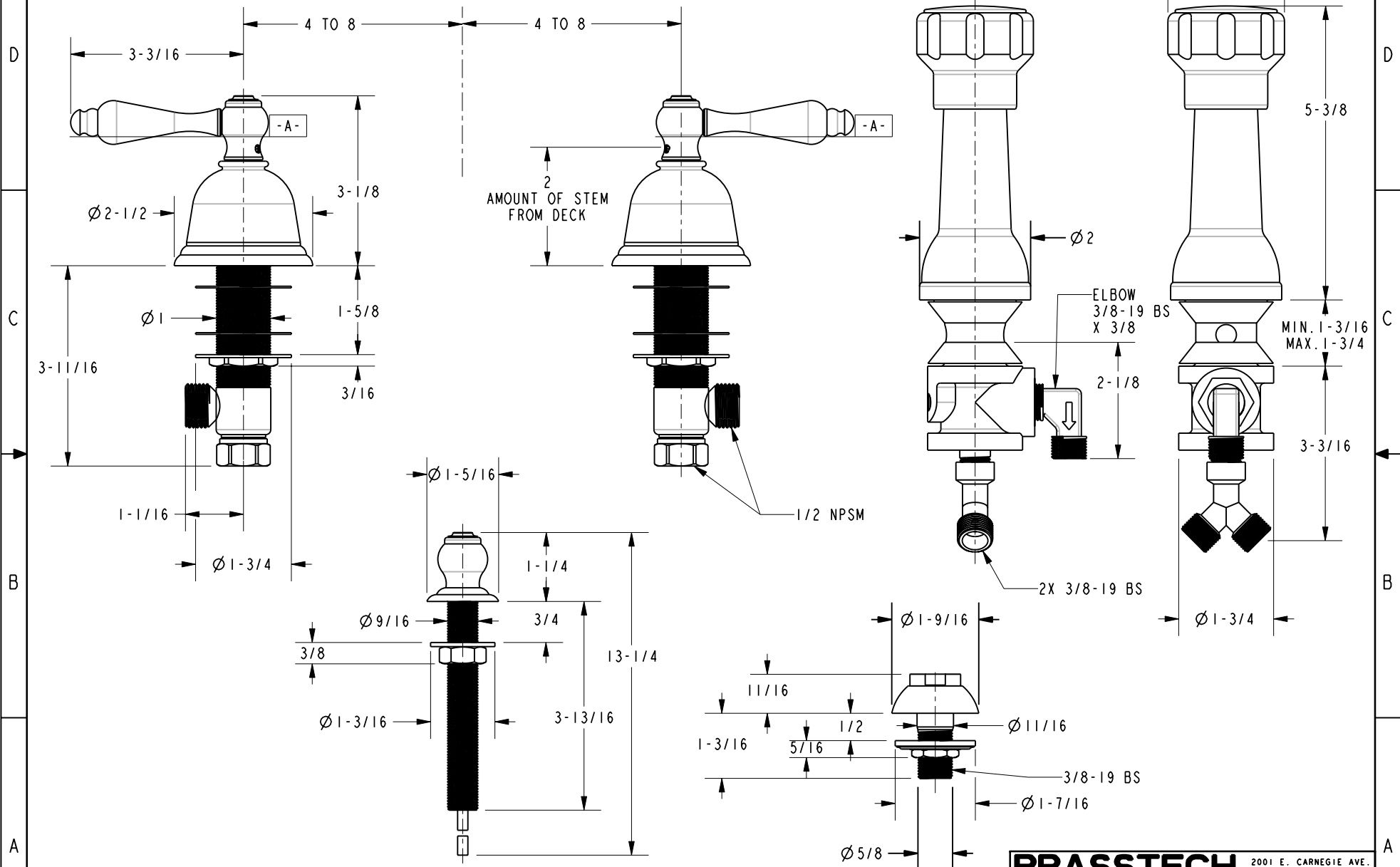
BRASSTECH
INCORPORATED
2001 E. CARNEGIE AVE.
SANTA ANA, CA 92705
(949) 417-5207

BIDET SET

ASSY. NO.	809		
SCALE 0.200	REF. -	SHEET 1 OF 2	REV
A	NEW DVTR	6/00	
-	RELEASED	PRE '95	
REV	REV DESC	DATE	

4 3 2 1

SPECIFICATION DWG



DIMENSIONS ARE IN INCHES AND AN APPROXIMATION OF A TYPICAL INSTALLATION

COPYRIGHT 2005 BRASSTECH, INC. THESE DRAWINGS AND THE DESIGNS DEPICTED HEREIN ARE THE PROPRIETARY PROPERTY OF BRASSTECH. ANY USE OR REPRODUCTION IS SUBJECT TO THE EXPRESS APPROVAL OF BRASSTECH. UNAUTHORIZED USE IS STRICTLY PROHIBITED. ALL RIGHTS RESERVED.

BRASSTECH		2001 E. CARNEGIE AVE. SANTA ANA, CA 92705 (949) 417-5207	
DWG NO.	809	REV	A
SCALE	0.400	REF.	-
		SHEET	2 OF 2