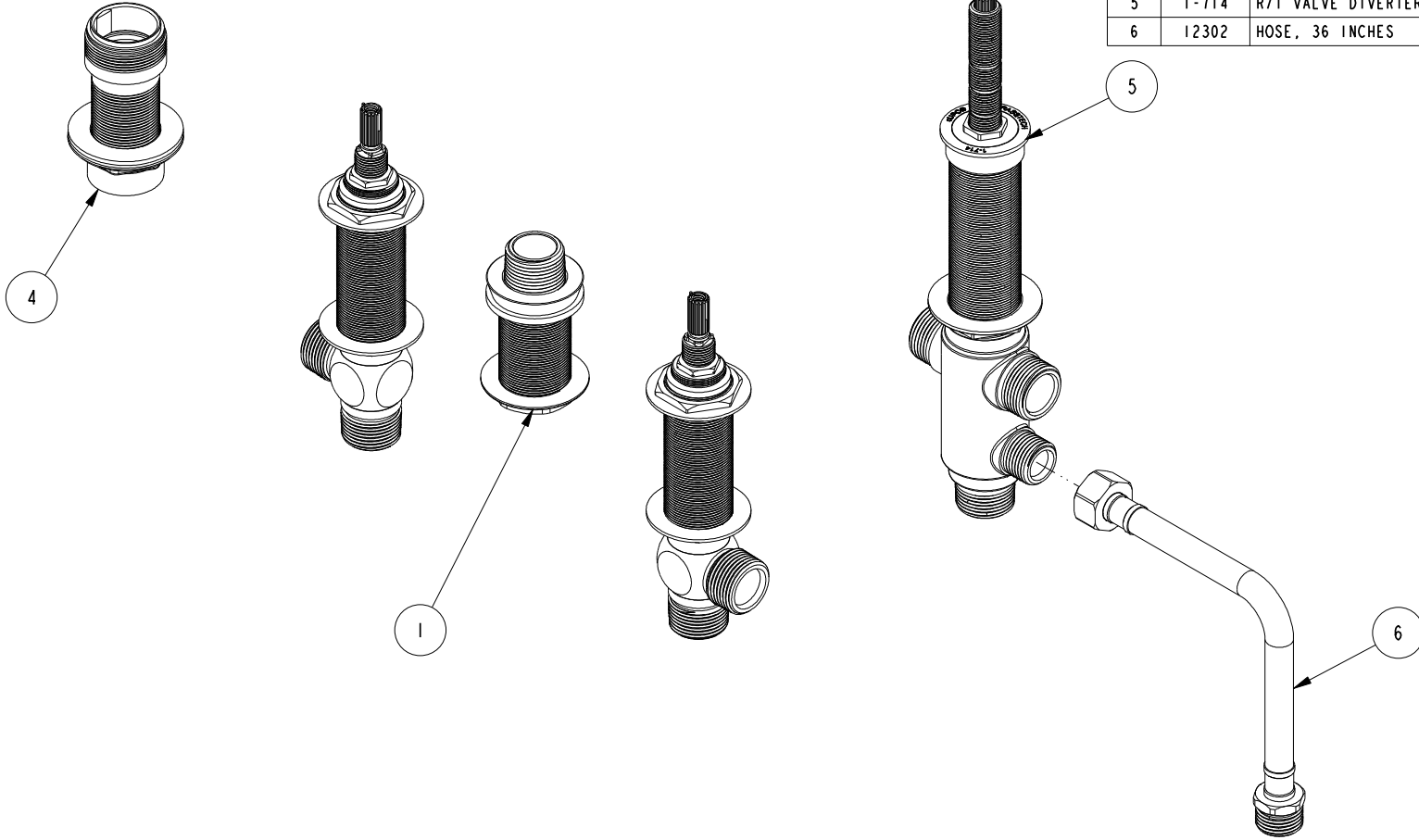


NOTES:

1. TO INSPECT ASSEMBLY, FOLLOW FIRST ARTICLE AND IN PROCESS INSPECTION SHEET.

BILL OF MATERIAL (CURRENT LEVEL)

ITEM	PT/ASSY	DESCRIPTION	TYPE	QTY.
1	1-016	ROMAN TUB QUICK DISCONNECT	ASSEMBLY	1
2	1-602	ROMAN TUB VALVE ASSY - HOT	ASSEMBLY	1
3	1-603	ROMAN TUB VALVE ASSY - COLD	ASSEMBLY	1
4	5-011	MOUNTING HDW FOR DECK FLANGE	ASSEMBLY	1
5	1-714	R/T VALVE DIVERTER	ASSEMBLY	1
6	12302	HOSE, 36 INCHES	ASSEMBLY	1



-	D	EN-4300kk	03/23/21	R. S.
-	C	EN-4166	05/04/20	J. M.
-	B	EN-3222E	11/23/17	J. A.
-	A	EN-0775	12/01/06	-
-	-	RELEASED	3/97	-
ZONE	REV	DESCRIPTION	DATE	APPROVED

COPYRIGHT 2005 BRASSTECH, INC. THESE DRAWINGS AND THE DESIGNS DEPICTED HEREIN ARE THE PROPRIETARY PROPERTY OF BRASSTECH. ANY USE OR REPRODUCTION IS SUBJECT TO THE EXPRESS APPROVAL OF BRASSTECH. UNAUTHORIZED USE IS STRICTLY PROHIBITED. ALL RIGHTS RESERVED.

TESTING	-	-	-
ASSEMBLY	-	-	-
PLATING	-	-	-
POLISHING	-	NEXT ASSY	USED ON
MACHINING	-	APPLICATION	
TOOLING FIXTURE #	REMOVE ALL BURRS AND SHARP EDGES		

UNITS ARE: INCHES [MM]
TOLERANCES ARE:
FRACTIONS DECIMALS ANGLES
±1/16" .X ±.1 [2.5] ±1°
.XX ±.06 [1.5]

(X.XXX) DENOTES CRITICAL DIMS.
ALL THREADS ARE CRITICAL

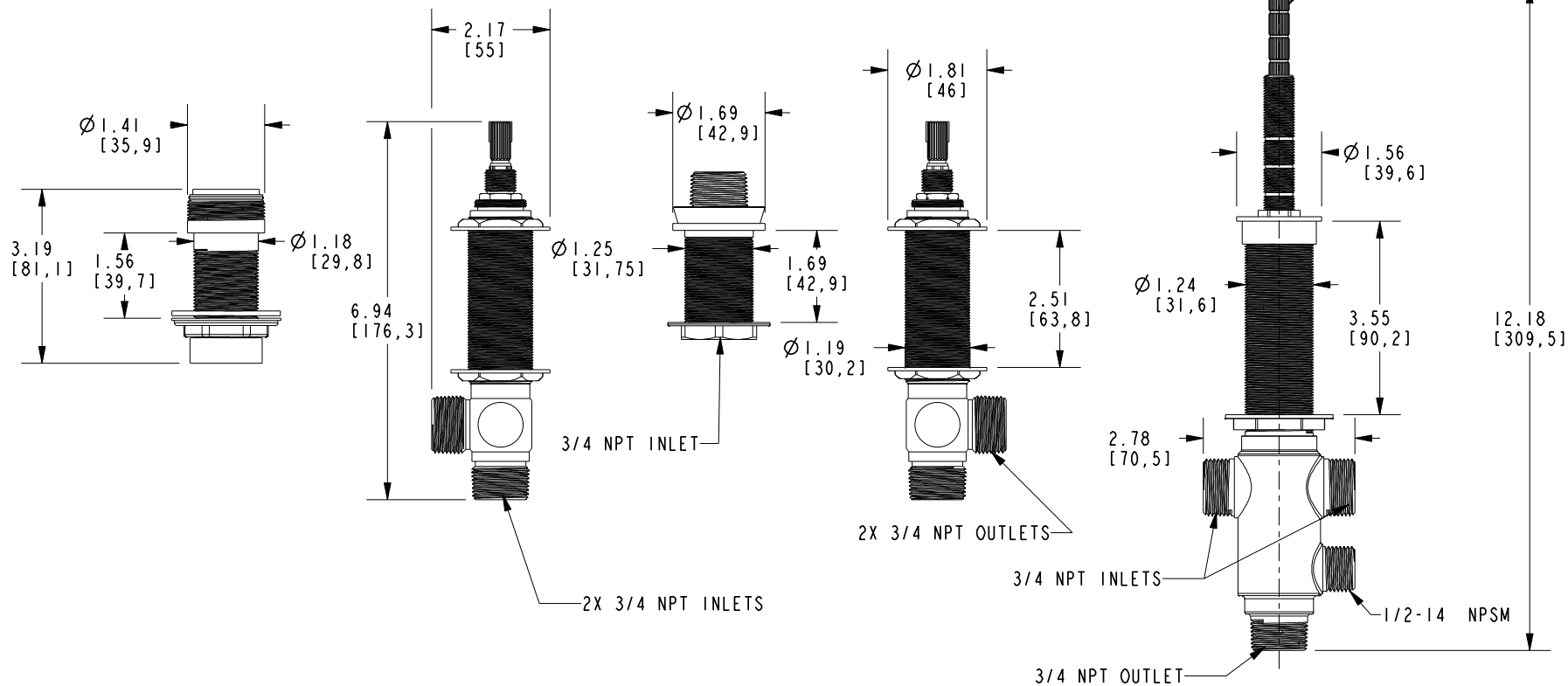
DRAWN	JINSON	11/23/17
CHECKED	J. A.	11/23/17
APPROVED	J. A.	11/23/17

BRASSTECH 2001 CARNEGIE AVE.
INCORPORATED SANTA ANA, CA 92705
(949) 417-5207

R/T 3-VALVE ROUGH & QUICK

DWG NO. **1-503** REV **D**

SCALE .325 REF. - SHEET 1 OF 2



BRASSTECH		2001 E. CARNEGIE AVE. SANTA ANA, CA 92705 (949) 417-5207	
DWG NO.	1-503	REV	D
SCALE	.325	REF.	-
SHEET 2		OF 2	