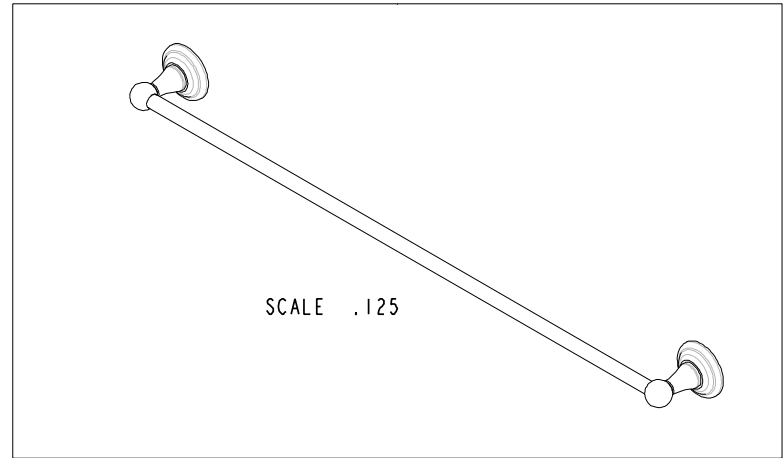
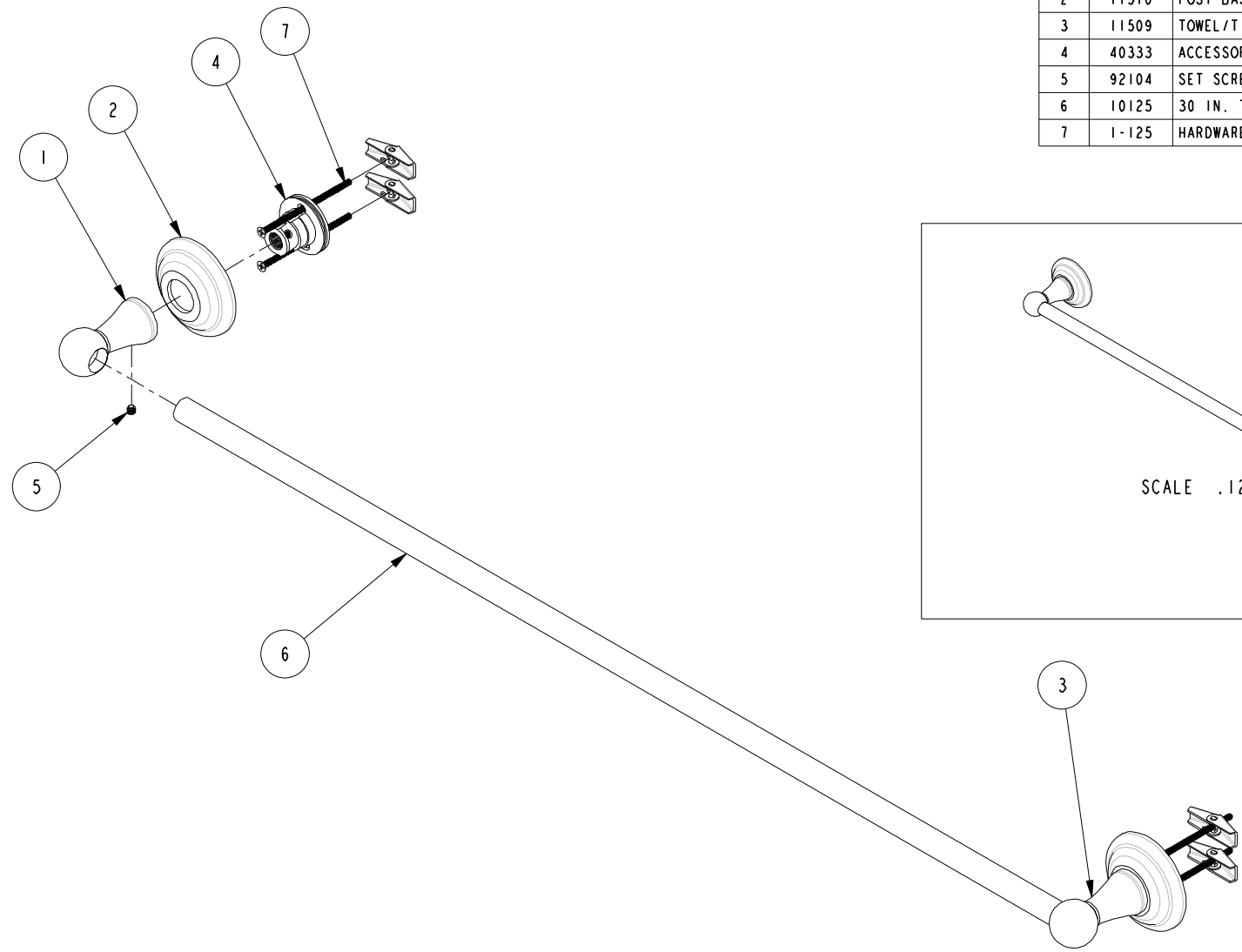


BILL OF MATERIAL (CURRENT LEVEL)				
ITEM	PT/ASSY	DESCRIPTION	TYPE	QTY.
1	11508	TOWEL/TISSUE POST LEFT	PART	1
2	11510	POST BASE COVER PLATE	PART	2
3	11509	TOWEL/TISSUE POST-RIGHT	PART	1
4	40333	ACCESSORY MTG BASE	PART	2
5	92104	SET SCREW 10-24 X 3/16	PART	2
6	10125	30 IN. TOWEL BAR	PART	1
7	1-125	HARDWARE KIT	ASSEMBLY	2



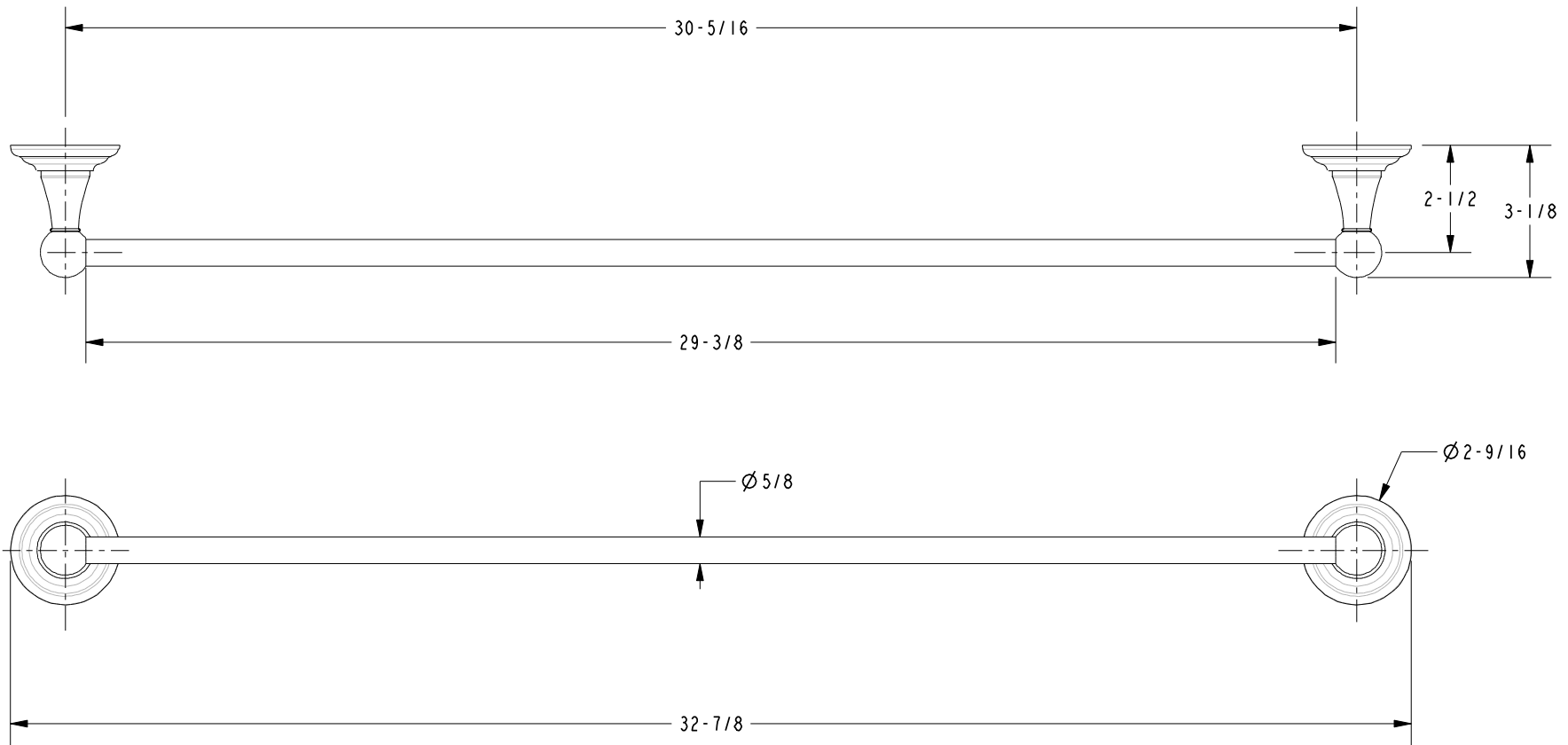
COPYRIGHT 2005 BRASSTECH, INC. THESE DRAWINGS AND THE DESIGNS DEPICTED HEREIN ARE THE PROPRIETARY PROPERTY OF BRASSTECH. ANY USE OR REPRODUCTION IS SUBJECT TO THE EXPRESS APPROVAL OF BRASSTECH. UNAUTHORIZED USE IS STRICTLY PROHIBITED. ALL RIGHTS RESERVED.

BRASSTECH
INCORPORATED
2001 E. CARNEGIE AVE.
SANTA ANA, CA 92705
(949) 417-5207

TOWEL BAR 30"

ASSY. NO.	75-03	A	EN-1241	12/11/09
SCALE	.250	REF.	-	SHEET 1 OF 2
REV		REV DESC		DATE

SPECIFICATION DWG



DIMENSIONS ARE IN INCHES AND AN APPROXIMATION OF A TYPICAL INSTALLATION

COPYRIGHT 2005 BRASSTECH, INC. THESE DRAWINGS AND THE DESIGNS DEPICTED HEREIN ARE THE PROPRIETARY PROPERTY OF BRASSTECH. ANY USE OR REPRODUCTION IS SUBJECT TO THE EXPRESS APPROVAL OF BRASSTECH. UNAUTHORIZED USE IS STRICTLY PROHIBITED. ALL RIGHTS RESERVED.

BRASSTECH		2001 E. CARNEGIE AVE. SANTA ANA, CA 92705 (949) 417-5207	
INCORPORATED			
DWG NO.	75-03	REV	A
SCALE	.250	REF.	-
		SHEET	2 OF 2