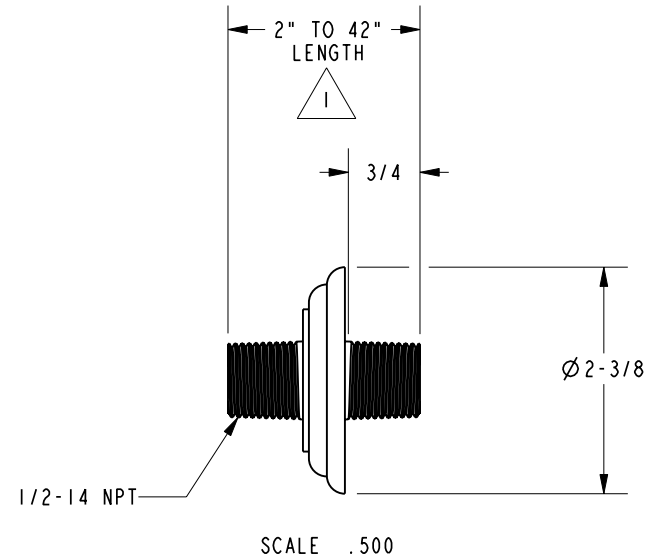
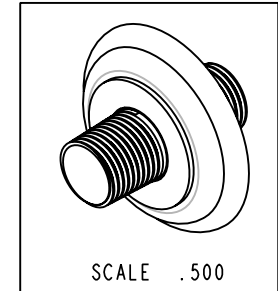
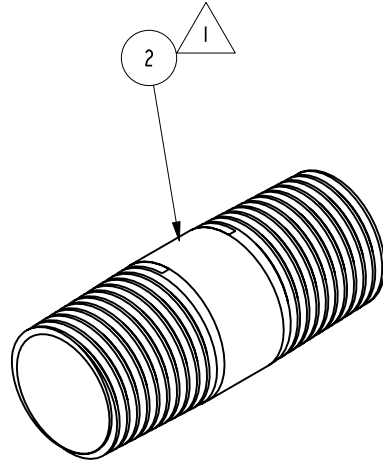
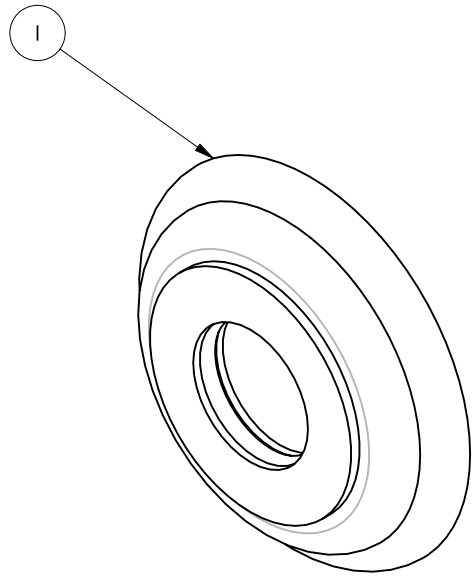


NOTES:

1 LENGTH OF NIPPLE IS DETERMINED BY THE DASH NUMBER, (-2 THRU -42), PROCEEDING BASE NUMBER 50558-X.

BILL OF MATERIAL (CURRENT LEVEL)

ITEM	PT/ASSY	DESCRIPTION	TYPE	QTY.
1	2-332	SHOWER ARM FLANGE	ASSEMBLY	1
2	50558-2	NIPPLE 1/2-14 X 2"	PART	1



COPYRIGHT 2005 BRASSTECH, INC. THESE DRAWINGS AND THE DESIGNS DEPICTED HEREIN ARE THE PROPRIETARY PROPERTY OF BRASSTECH. ANY USE OR REPRODUCTION IS SUBJECT TO THE EXPRESS APPROVAL OF BRASSTECH. UNAUTHORIZED USE IS STRICTLY PROHIBITED. ALL RIGHTS RESERVED.

BRASSTECH
INCORPORATED
2001 E. CARNEGIE AVE.
SANTA ANA, CA 92705
(949) 417-5207

NIPPLE/ESC 1/2-14 NPT THRU X42

ASSY. NO.	517-	A	EO-0802	1/19/07
SCALE	1.000	REF.	-	RELEASED
SHEET	1	OF	1	7/27/02
REV		REV	DESC	DATE