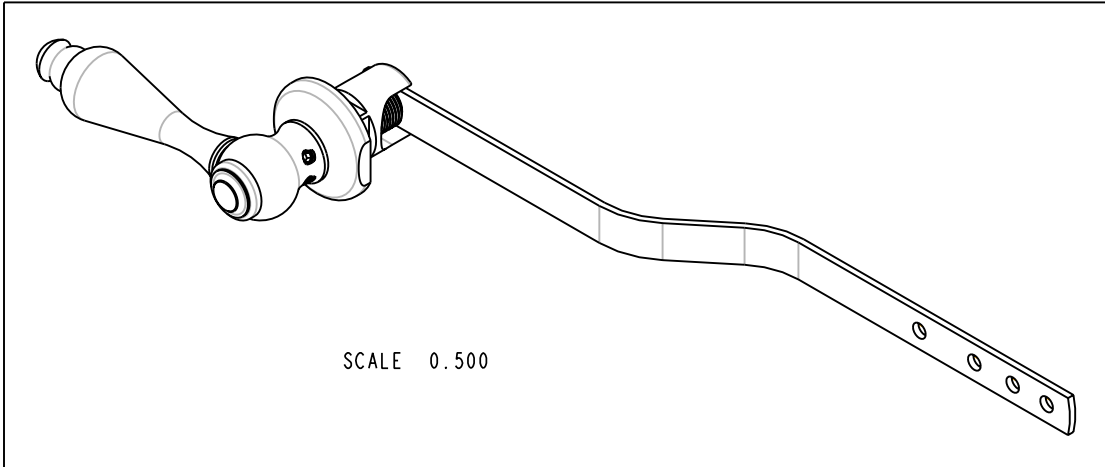
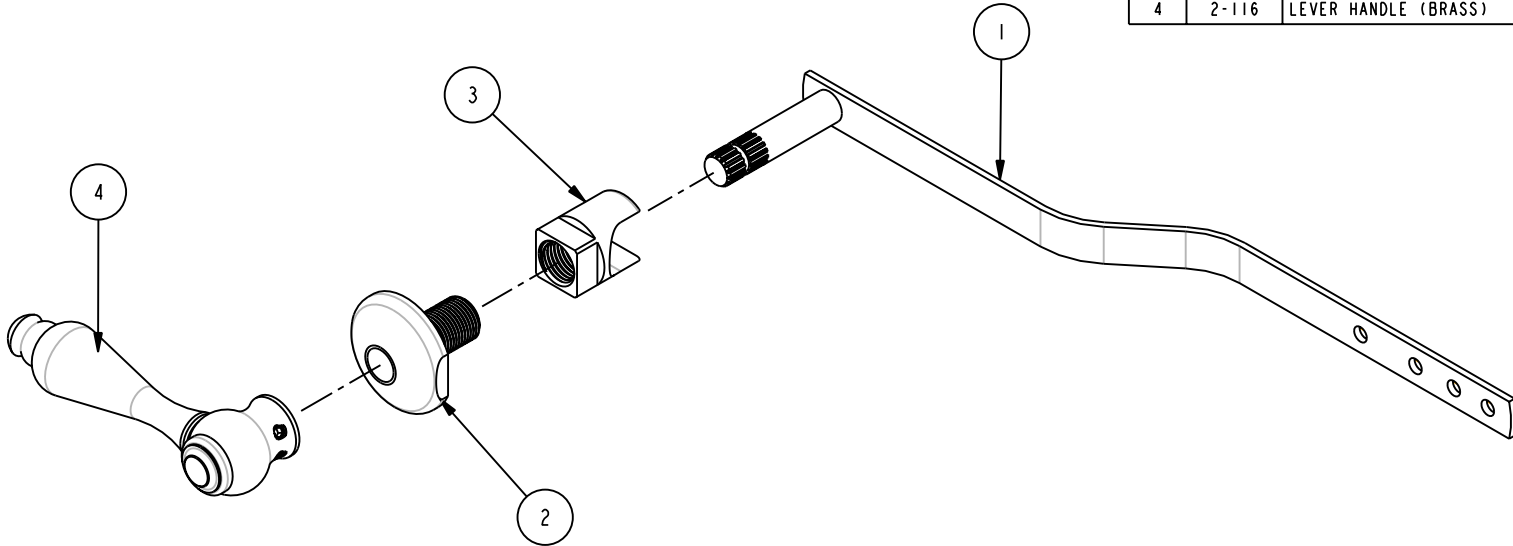


BILL OF MATERIAL (CURRENT LEVEL)				
ITEM	PT/ASSY	DESCRIPTION	TYPE	QTY.
1	50478	TANK LEVER - BROACHED	PART	1
2	50632	ESCUTCHEON - TANK LEVER	PART	1
3	50637	HOUSING - TANK LEVER	PART	1
4	2-116	LEVER HANDLE (BRASS)	ASSEMBLY	1



SCALE 0.500

BRASSTECH 2001 E. CARNEGIE AVE
INCORPORATED SANTA ANA, CA 92705
(949) 417-5207

TOILET TANK LEVER

ASSY. NO. 504A

B	REF:EO 0144	02/07/03
A	REF:EO 0096	10/15/02
-	RELEASED	09/20/02
REV	REV DESC	DATE

SCALE 0.500

REF. -

SHEET 1 OF 1

COPYRIGHT ©