

### Features

Brass Construction  
 Euro-motion ceramic disc 40 mm valve cartridge  
 12.0 gallons (45 liters) per minute spout maximum flow rate  
 3/4" braided hot and cold supply lines (with 1/2" adapters)  
 37.22" (94.5 cm) tub spout height at outlet  
 8.73" (22.2 cm) tub spout reach (center-center)  
 Traditional handshower design of brass construction  
 For single hole configurations  
 ADA Compliant (Handles Only)  
 1.8 GPM (6.8 LPM) Max, Handshower Only

### Tub and Handshower Set

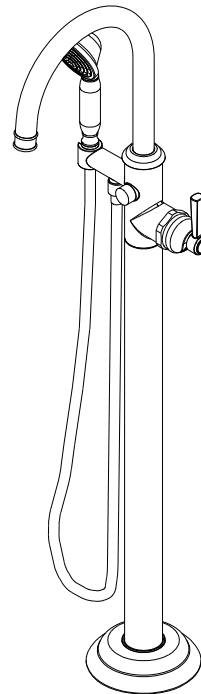
# 910-4261



### Codes / Standards Compliance

Meets or exceeds the following at date of manufacture:

ASME A112.18.1/CSA B125.1  
 IAMPO/cUPC  
 IPC  
 ADA & ICC/ANSI A117.1 (Handle Only)  
 Energy Policy Act of 1992  
 EPA WaterSense  
 California Energy Commission  
 ASME A112.18.3 (Back Flow)  
 All applicable US Federal and State material regulations

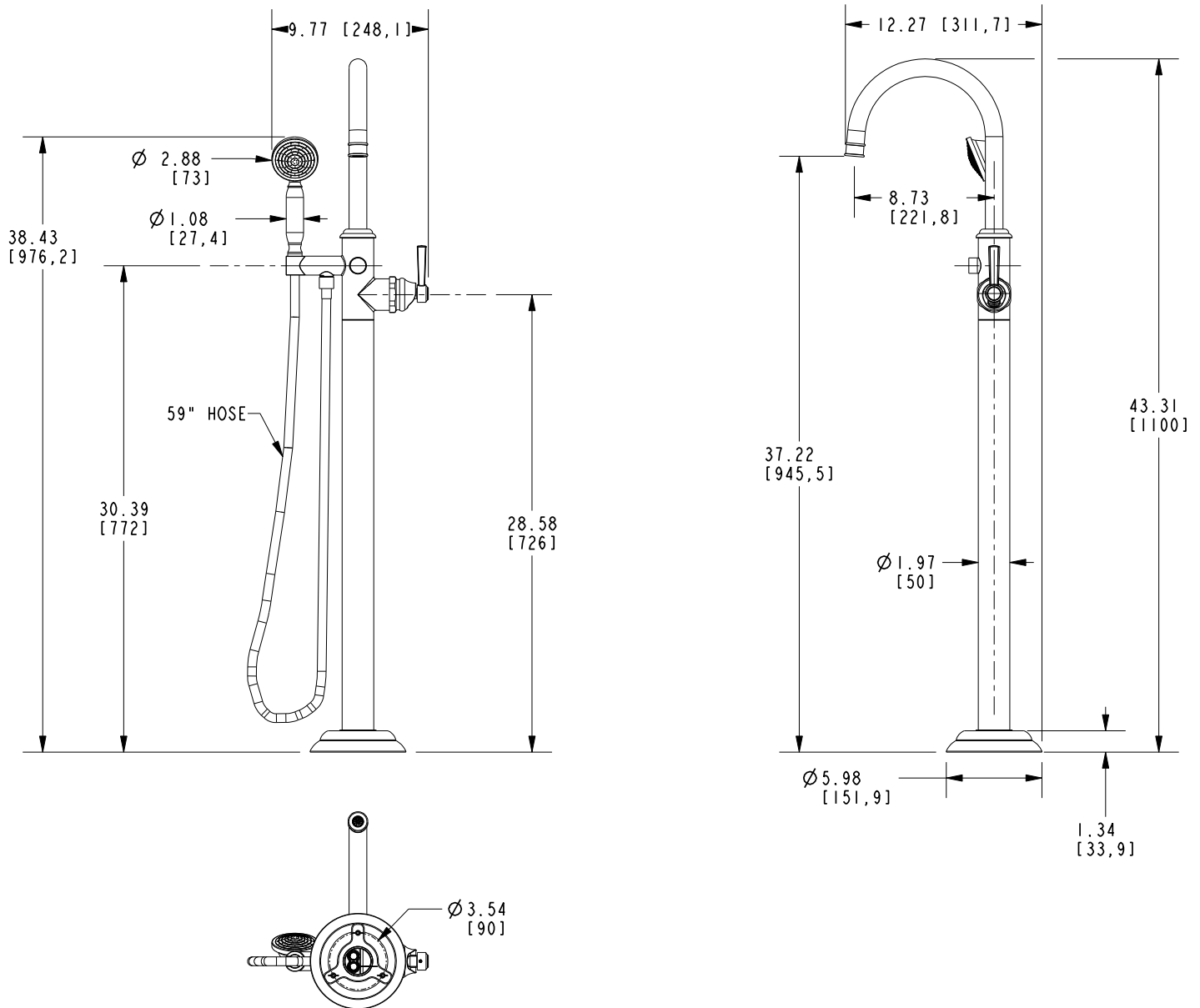


ACCESSORY OPTIONAL	
<b>System Element</b>	Rough valve
<b>Description</b>	Freestanding Tub Fill Rough Kit (Floor Mount)
<b>Inlet/Outlet Size</b>	3/4" NPT and 1/2" direct sweat connections inlets / 3/4" NPT and 1/2" NPT outlets
<b>Part Number</b>	1-339
<b>Image</b>	

# 910-4261

## PRODUCT DIMENSIONS (Units are in inches)

Product Dimensions are provided for reference only. For specific product installation guidelines, please reference the Installation Instructions of the product being installed.



Tub and Handshower Set

910-4261

Page 2 of 2

EN- 4823

REVA

**NEWPORT BRASS**  
Flawless Beauty. From Faucet to Finish.

t: 949.417.5207 | [www.newportbrass.com](http://www.newportbrass.com)  
©2024 Brasstech, Inc.