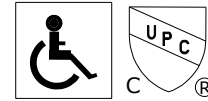


Features

Solid brass construction
Forged brass body
Swivel spout assembly with side mounted handle
Independent rotational and pivoting lever handle elements
Spout assembly with integral supply hoses
7.98" (20.3 cm) spout height at outlet
7.13" (18.1 cm) spout reach (c-c)
For single hole configurations
ADA Compliant
1.8 GPM (6.8 LPM) Max

SINGLE HOLE - BAR / PREP FAUCET

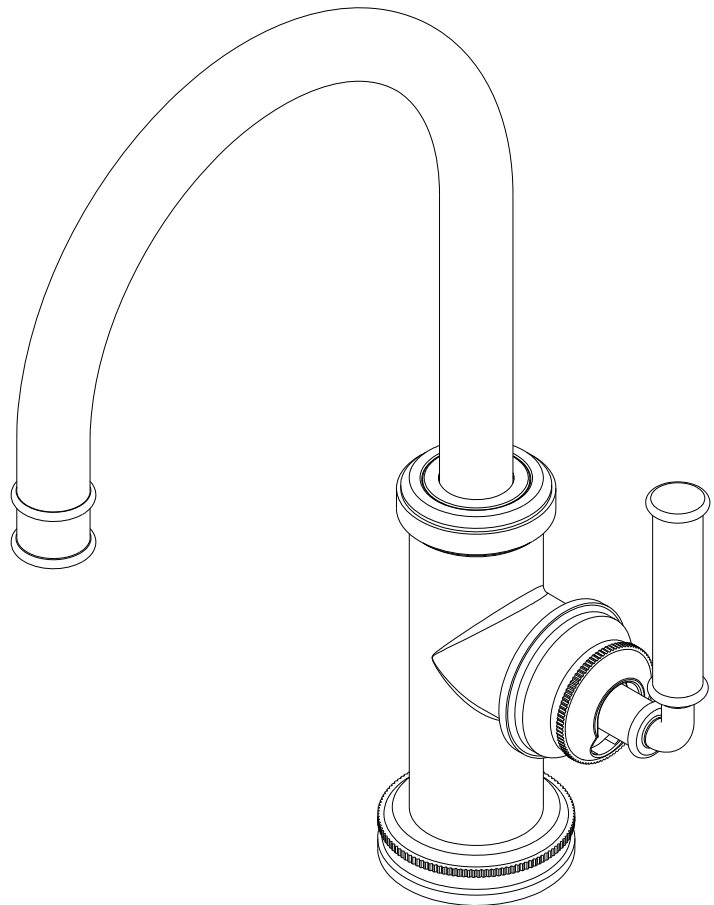
2940-5233



Codes / Standards Compliance

Meets or exceeds the following at date of manufacture:

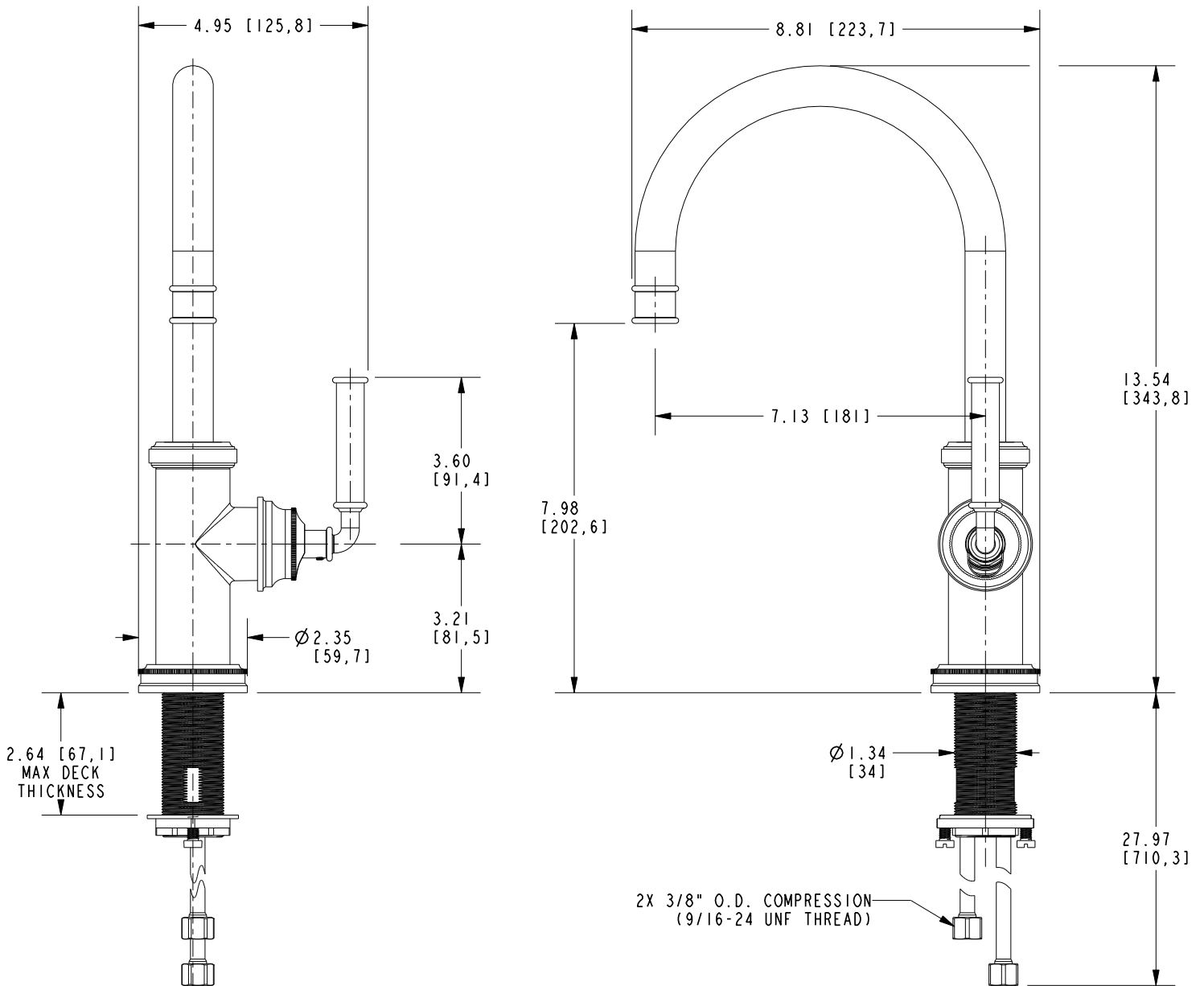
ASME A112.18.1/CAS B125.1
IAPMO/cUPC
NSF/ANSI/CAN 61, SECTION 9
NSF/ANSI 372
IPC
ADA&ICC/ANSI A117.1
Energy Policy Act of 1992
California Energy Commission
All applicable US Federal and State material regulations



2940-5233

PRODUCT DIMENSIONS *(Units are in inches)*

Product Dimensions are provided for reference only. For specific product installation guidelines, please reference the Installation Instructions of the product being installed.



SINGLE HOLE - BAR / PREP FAUCET

2940-5233

Page 2 of 2
EN-4745
REVA

NEWPORT BRASS
Flawless Beauty. From Faucet to Finish.

t: 949.417.5207 | www.newportbrass.com
©2023 Brasstech, Inc.