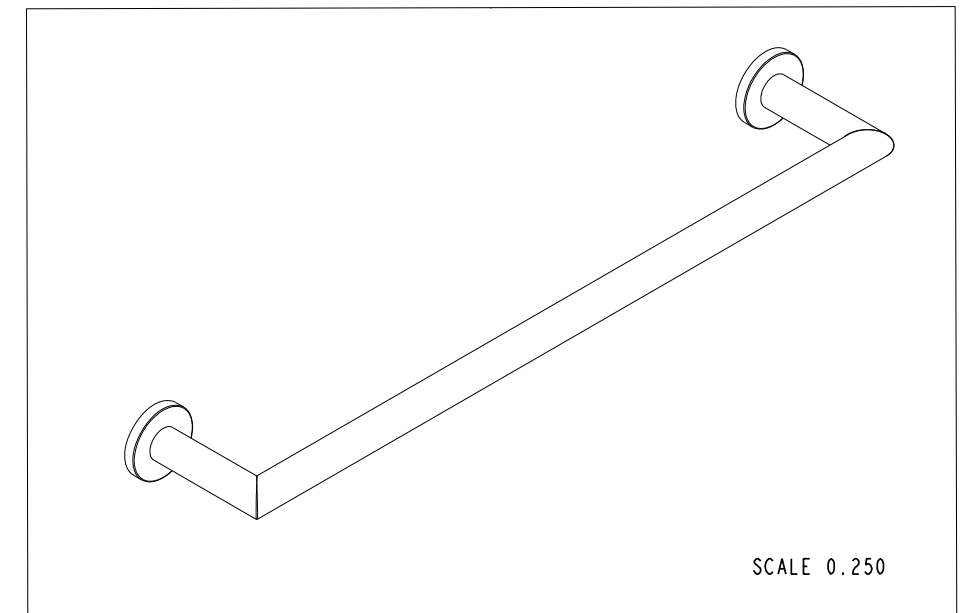
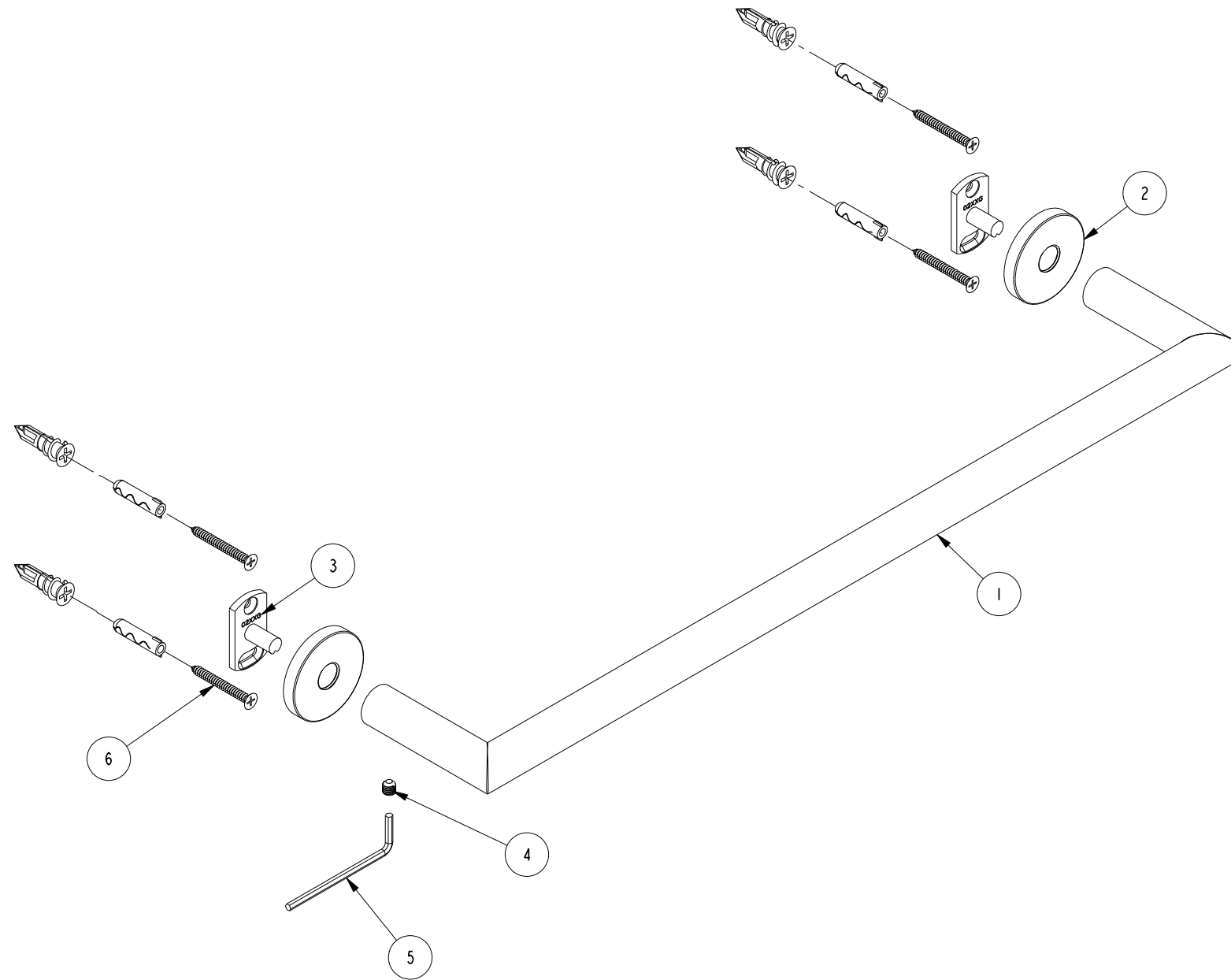


NOTES:

1. TO INSPECT ASSEMBLY, FOLLOW FIRST ARTICLE AND IN PROCESS INSPECTION SHEET.

BILL OF MATERIAL (CURRENT LEVEL)

ITEM	PT/ASSY	DESCRIPTION	TYPE	QTY.
1	7-656	TOWEL BAR 18"	ASSEMBLY	1
2	40376	ROSETTE	PART	2
3	02XXG	MOUNTING BRACKET	PART	2
4	92031	SCRW, M6 X 1 X 6 SKT HD CUP PT SS	PART	2
5	10615	HEX KEY, 3MM ALLOY STEEL	PART	1
6	1-206	HARDWARE PACK	ASSEMBLY	2



SCALE 0.250

REV	DESCRIPTION	DATE	APPROVED
-	EN-4603	01/05/23	R.S.

COPYRIGHT 2005 BRASSTECH, INC.  
 THESE DRAWINGS AND THE DESIGNS  
 DEPICTED HEREIN ARE THE PROPRIETARY  
 PROPERTY OF BRASSTECH. ANY USE  
 OR REPRODUCTION IS SUBJECT TO  
 THE EXPRESS APPROVAL OF BRASSTECH.  
 UNAUTHORIZED USE IS STRICTLY  
 PROHIBITED. ALL RIGHTS RESERVED.

-	-	UNITS ARE: INCHES [MM]	<b>BRASSTECH</b> 2001 CARNEGIE AVE. SANTA ANA, CA 92705 (949) 417-5207	
-	-	TOLERANCES ARE:		
-	-	FRACTIONS DECIMALS ANGLES	INCORPORATED	
-	-	±1/16" .x ±.1 [2.5] ±1° .xx ±.06 [1.5]		
-	-	X.XXX DENOTES CRITICAL DIMS. ALL THREADS ARE CRITICAL	SINGLE TOWEL BAR - 18"	
NEXT ASSY	USED ON	DRAWN R.S.	01/05/23	DWG NO. 36-01
APPLICATION		CHECKED J.M.	01/05/23	REV -
REMOVE ALL BURRS AND SHARP EDGES		APPROVED J.M.	01/05/23	SCALE 0.375 REF. - SHEET 1 OF 2

