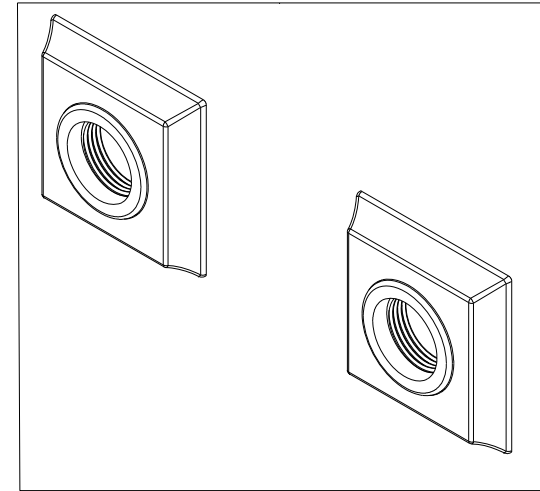
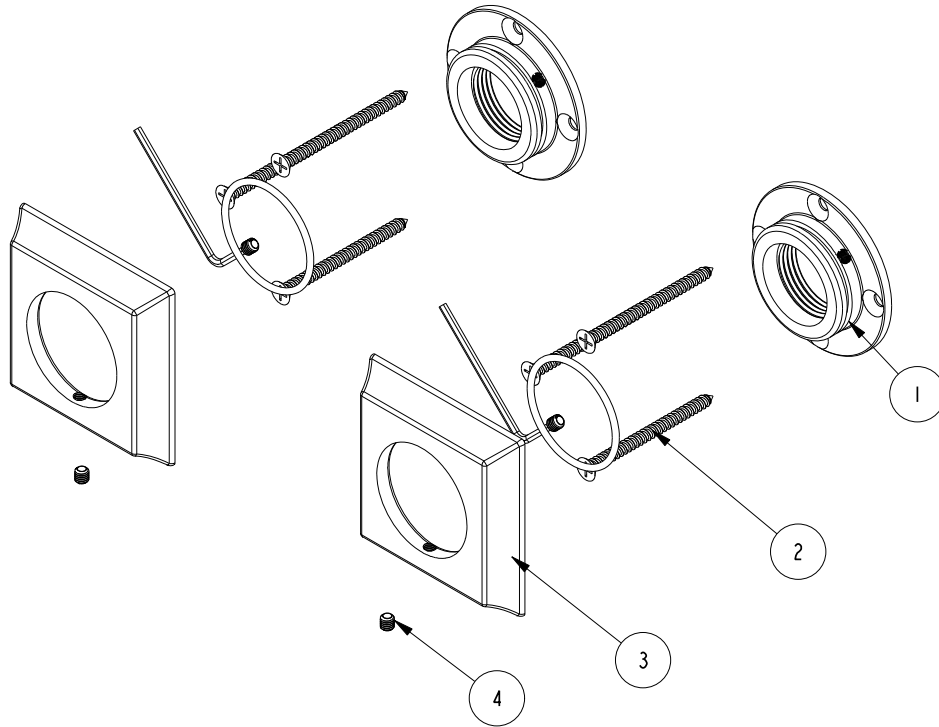


NOTES:

1. TO INSPECT ASSEMBLY, FOLLOW FIRST ARTICLE AND IN PROCESS INSPECTION SHEET.

BILL OF MATERIAL (CURRENT LEVEL)

ITEM	PT/ASSY	DESCRIPTION	TYPE	QTY.
1	1995	MOUNTING FLANGE	PART	2
2	199X	GRAB BAR MOUNTING HARDWARE PACK	ASSEMBLY	2
3	40677	DECORATIVE RING	PART	2
4	92308	SCRW, M5 X 5 SKT HD CUP PT SS	PART	2



COPYRIGHT 2005 BRASSTECH, INC. THESE DRAWINGS AND THE DESIGNS DEPICTED HEREIN ARE THE PROPRIETARY PROPERTY OF BRASSTECH. ANY USE OR REPRODUCTION IS SUBJECT TO THE EXPRESS APPROVAL OF BRASSTECH. UNAUTHORIZED USE IS STRICTLY PROHIBITED. ALL RIGHTS RESERVED.

TESTING	-	-	-
ASSEMBLY	-	-	-
PLATING	-	-	-
POLISHING	-	NEXT ASSY	USED ON
MACHINING	-	APPLICATION	
TOOLING FIXTURE #	REMOVE ALL BURRS AND SHARP EDGES		

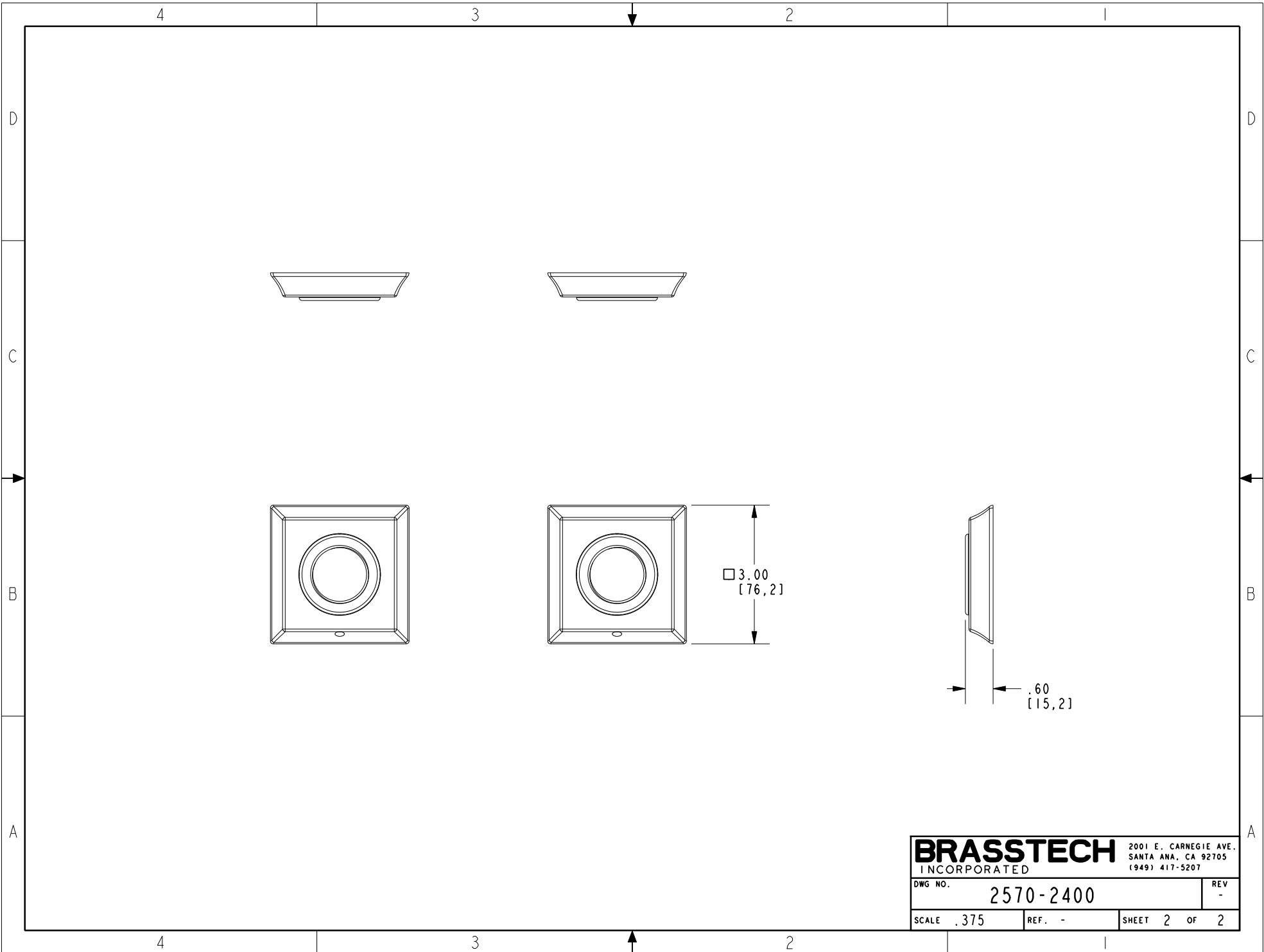
UNITS ARE: INCHES [MM]		
TOLERANCES ARE:		
FRACTIONS	DECIMALS	ANGLES
±1/16"	.X ±.1 [2.5]	±1°
	.XX ±.06 [1.5]	
(X.XXX) DENOTES CRITICAL DIMS.		
ALL THREADS ARE CRITICAL		
DRAWN	R.S.	11/02/22
CHECKED	J.W.	11/02/22
APPROVED	J.W.	11/02/22

BRASSTECH 2001 CARNEGIE AVE.
INCORPORATED SANTA ANA, CA 92705
(949) 417-5207

GRAB BAR ESCUTECEON MOUNTING KIT

DWG NO.	2570-2400	REV	-
SCALE	.375	REF.	-
SHEET	1	OF	2

ZONE	REV	DESCRIPTION	DATE	APPROVED
-	-	EN-4575	11/02/22	J.M.



BRASSTECH		2001 E. CARNEGIE AVE.	
INCORPORATED		SANTA ANA, CA 92705	
		(949) 417-5207	
DWG NO.	2570-2400		REV
			-
SCALE	.375	REF.	-
		SHEET	2 OF 2