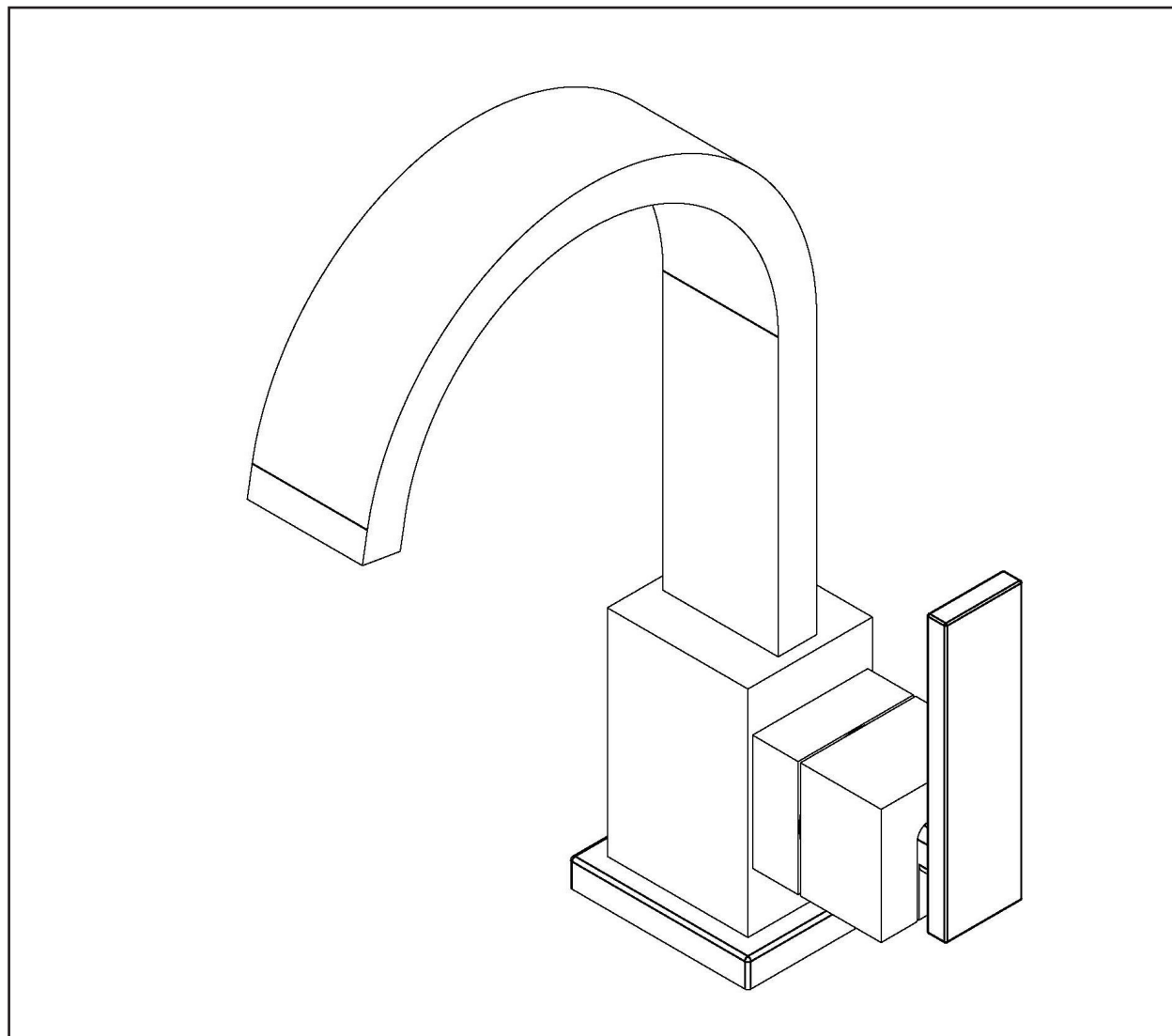


INSTALLATION INSTRUCTIONS
SINGLE HOLE LAVATORY SET
MODEL No: 2043-I



NEWPORT BRASS
Flawless Beauty. From Faucet to Finish.™

2001 CARNEGIE AVE, SANTA ANA CA 92705
(949) 417-5207

WWW.NEWPORTBRASS.COM

Recommended Installation by a Professional Plumbing Contractor

Note: The use of petroleum base plumbers putty on our products will nullify the warranty. We recommend the use of clear silicone sealing materials. Recommended deck thru hole \varnothing 1-1/8"

1. Place the spout hoses, one at a time, and secure spout into place with MOUNTING KIT (1) See Fig. 1
2. Attach hot/cold spout supply hoses to valves in the wall. See Fig. 2
3. Drain assembly installation. Remove drain FLANGE (4) from TAILPIECE (9). Place FLANGE WASHER (7) and then FLANGE (4) through sink drain opening. (Clear silicone may be used in place of white washer.) From bottom side of sink, place cone shaped rubber WASHER (5) onto FLANGE (4) and slide up against sink bottom. Note: Cone portion of WASHER (5) to face upward. Next slide on clear WASHER (6) and secure with flange NUT (8). Place NUT (8) & tighten to FLANGE (4). See Figure 3.
4. Apply thread sealant to STOPPER (10) and attach to DRAIN ASSEMBLY (11) See Figure 4.

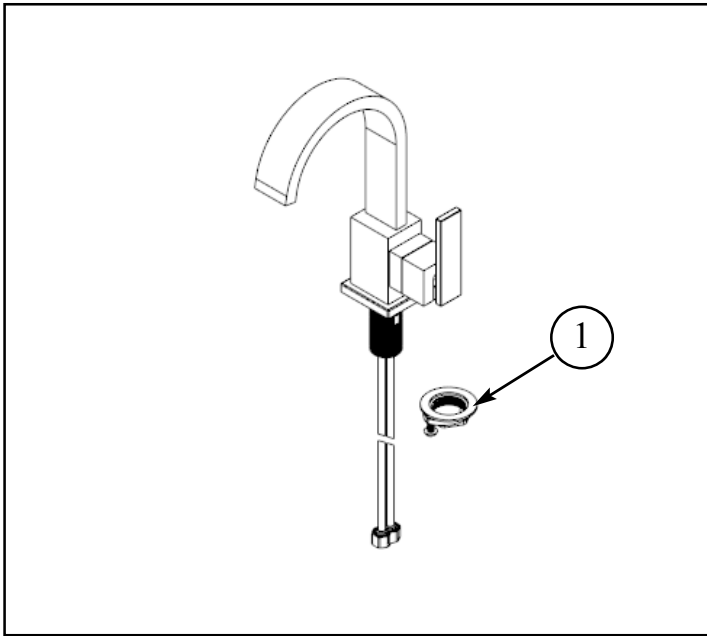


Figure 1

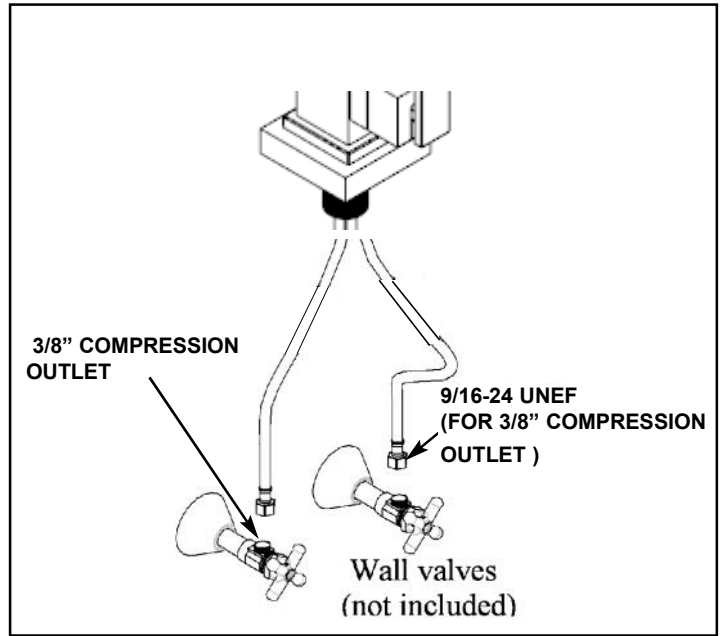


Figure 2

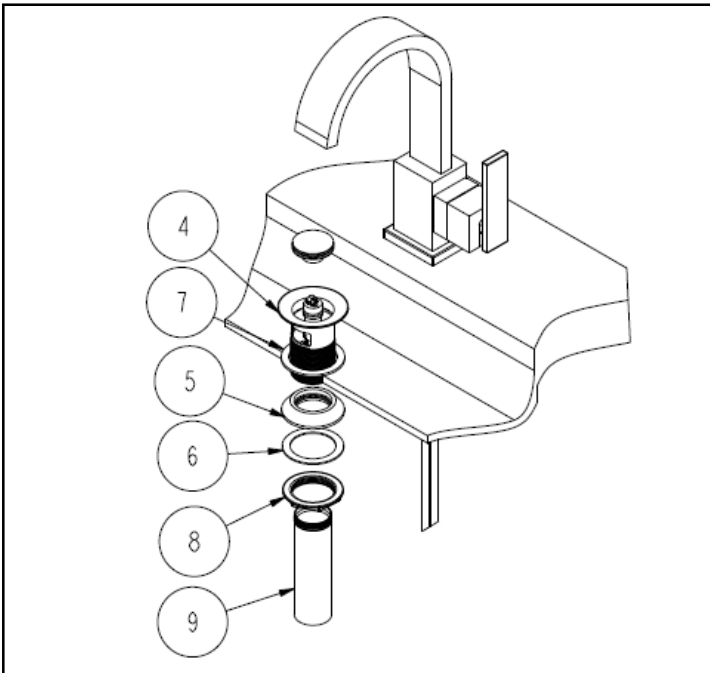


Figure 3
Drain assembly

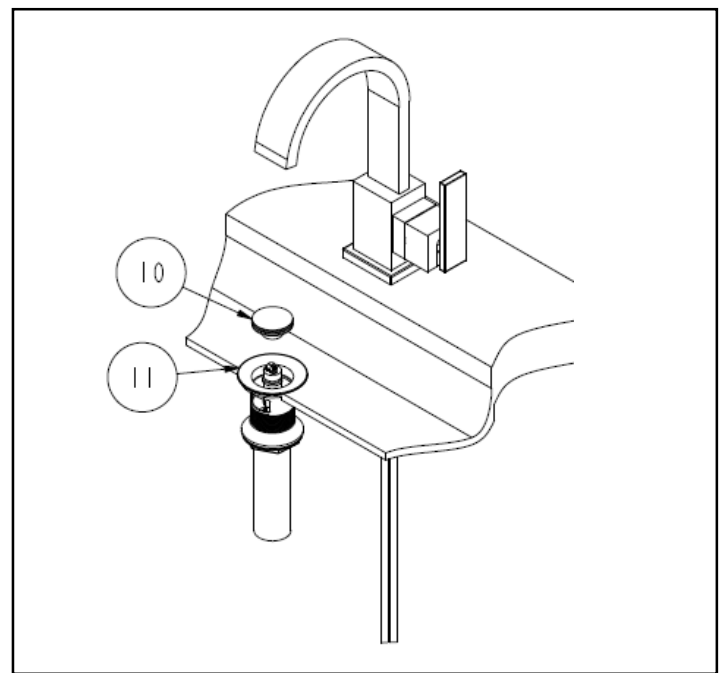


Figure 4