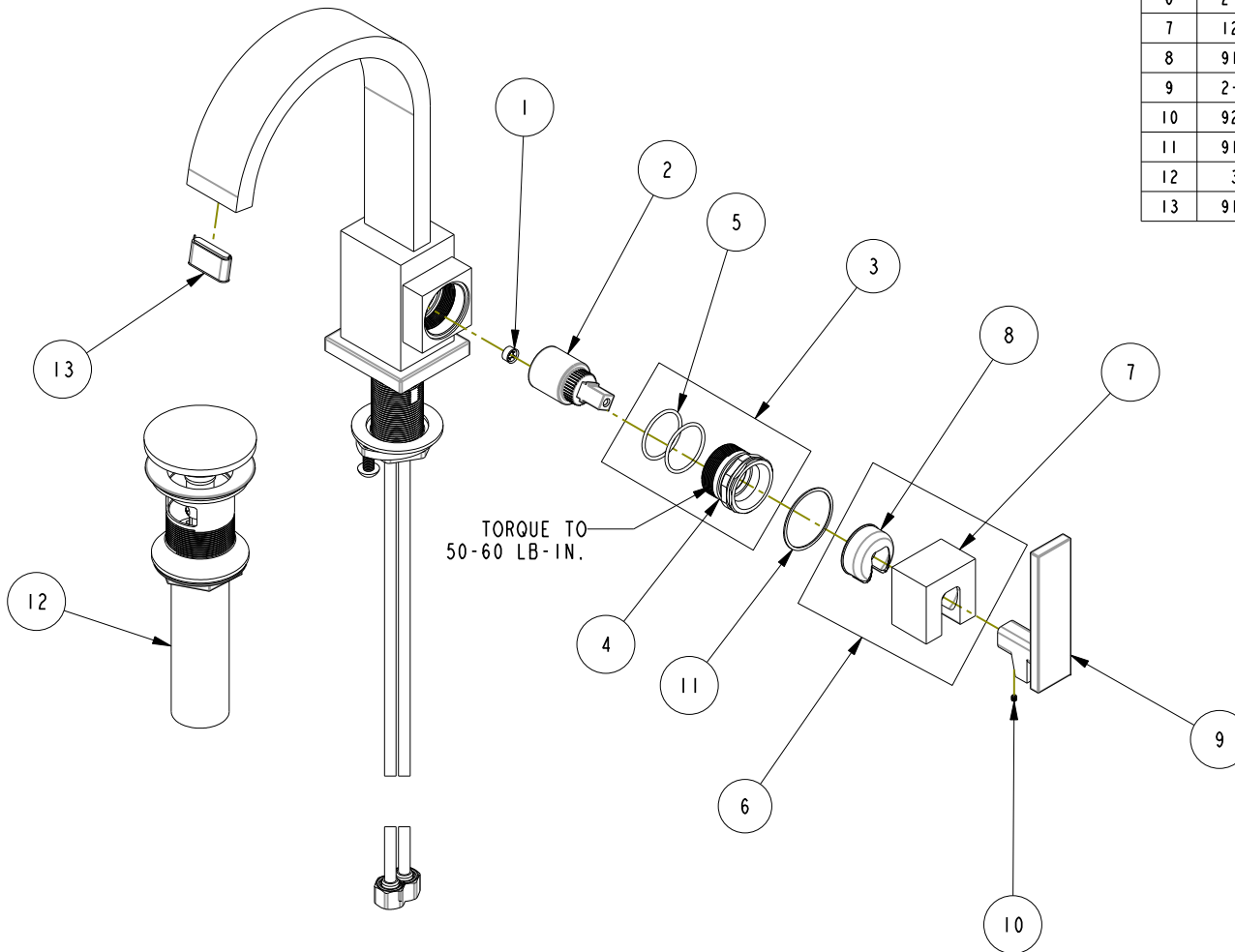


REPLACEMENT PARTS

| ITEM | PT/ASSY | SPECIFY FINISH | DESCRIPTION |
|------|---------|----------------|---|
| 1 | 12401 | | FLOW REGULATOR, 1.2 GPM, PINK |
| 2 | 1-242 | | CARTRIDGE 25 MM KCG K025a |
| 3 | 1-340 | | RETAINER NUT ASSEMBLY |
| 4 | 30623 | | RETAINING NUT |
| 5 | 91408 | | O-RING, #2-023, EPDM, 65-75 DURO |
| 6 | 2-920 | YES | CAP ASSEMBLY |
| 7 | 12231 | | CAP |
| 8 | 91634 | | INSERT |
| 9 | 2-921 | YES | HANDLE ASSEMBLY |
| 10 | 92834 | | SCRW, 4-40 X 1/8 SKT HD CUP PT SS |
| 11 | 91633 | | WSHR, 1.34 ID X 1.5 OD X .032 THK, FLT, NYLON |
| 12 | 330 | YES | DRAIN, PUSH DOWN, W/ OVERFLOW |
| 13 | 91567 | | FLOW STRAIGHTENER 28 X 7, NEOPERL- 02.3295.0 |



**SINGLE HOLE LAVATORY FAUCET
2043-1**

REV - EN- 06/03/22 APPROVED RS

NEWPORT BRASS.

t: 949.417.5207 | www.newportbrass.com