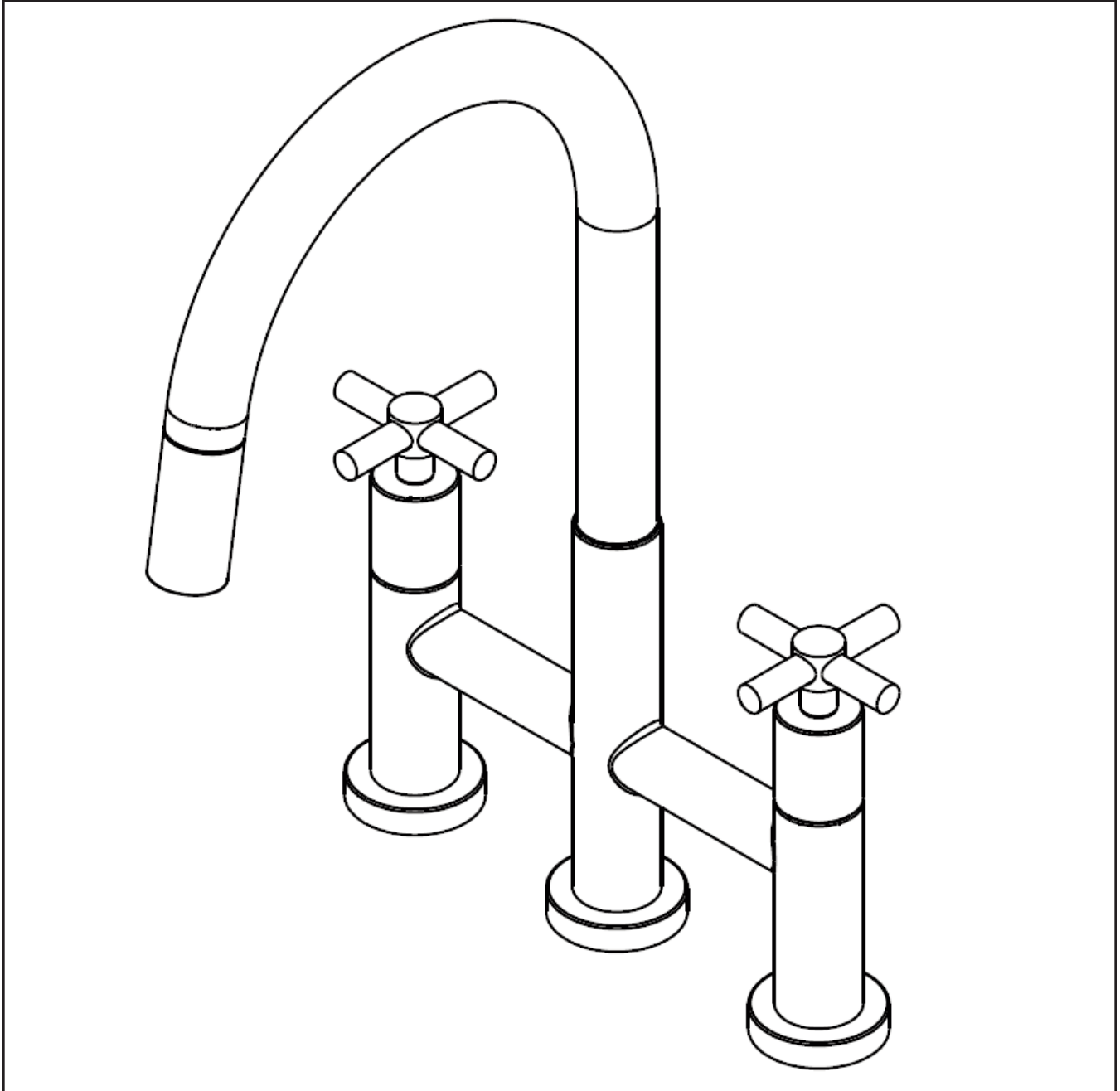


BRIDGE PULLDOWN INSTALLATION INSTRUCTIONS

MODEL : 1400-5462, 1400-5463, 1500-5462, 1500-5463, 1030-5462,
1030-5463, 2470-5462, & 2470-5463, 2940-5463, 3290-5463



NEWPORT BRASS

Flawless Beauty. From Faucet to Finish.™

2001 CARNEGIE AVE, SANTA ANA CA 92705

(949) 417-5207

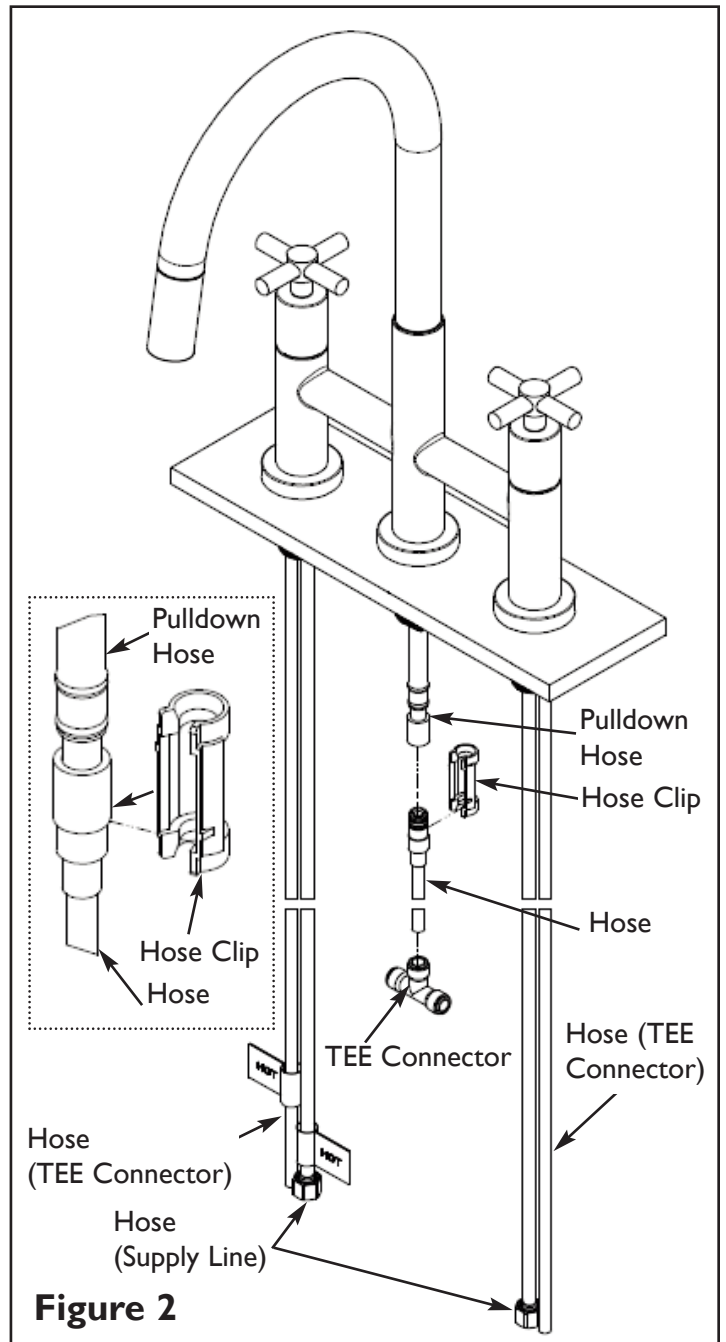
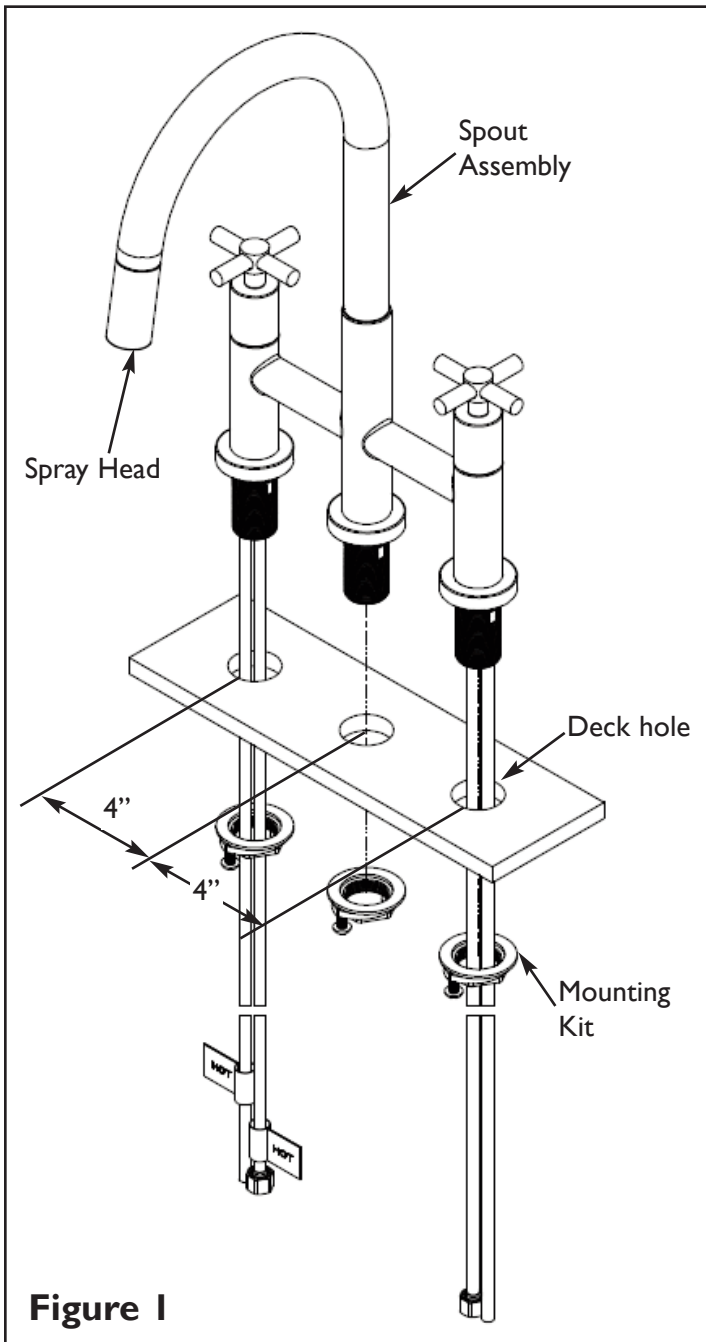
WWW.NEWPORTBRASS.COM

Recommended Installation by a Professional Plumbing Contractor

Note: The use of petroleum base plumbers putty on our products will nullify the warranty. We recommend the use of clear silicone sealing materials. Recommended deck hole size for all holes are $\text{Ø}1\text{-}3/8\text{'}$. If mounting faucet to stainless steel rim, an under-mount support, (e.g. wood, appropriate size x 1/2" thick), should be utilized.

1. Insert the hoses through the side holes and place the SPOUT (1) assembly through holes on deck. Secure SPOUT (1) into place with MOUNTING KIT (2). See **Figure 1**.

2. Connect the HOSE (4) to the TEE CONNECTOR (5) and connect them to the PULLDOWN HOSE (6). Attach HOSE CLIP to the connection between HOSE and PULLDOWN HOSE. See **Figure 2**.



3. Connect the hot /cold hoses with the threaded fitting directly to supply valves in the wall. **See Figure. 3**
4. Connect the HOSES without the threaded fitting into the TEE CONNECTOR (5). **See Figure. 4**
5. Attach WEIGHT to HOSE in the appropriate area shown, on the upward swing toward the SPRAYHEAD, in order to provide proper pull to hose. **See Figure 4.**
6. With faucet in the OFF position, open water supply valves. Inspect connections under sink for leaks. **DO NOT** turn faucet on yet.
7. Pull SPRAYHEAD out from SPOUT. While holding PULLDOWN HOSE, detach SPRAYHEAD. Aiming HOSE into sink, turn on hot and cold seperately and flush for one minute to remove debris from lines.
8. Turn OFF faucet and reattach SPRAYHEAD to PULLDOWNHOSE. **See Figure 5.**
9. Check the SPRAYHEAD by operating the trigger from aerator to spray.

