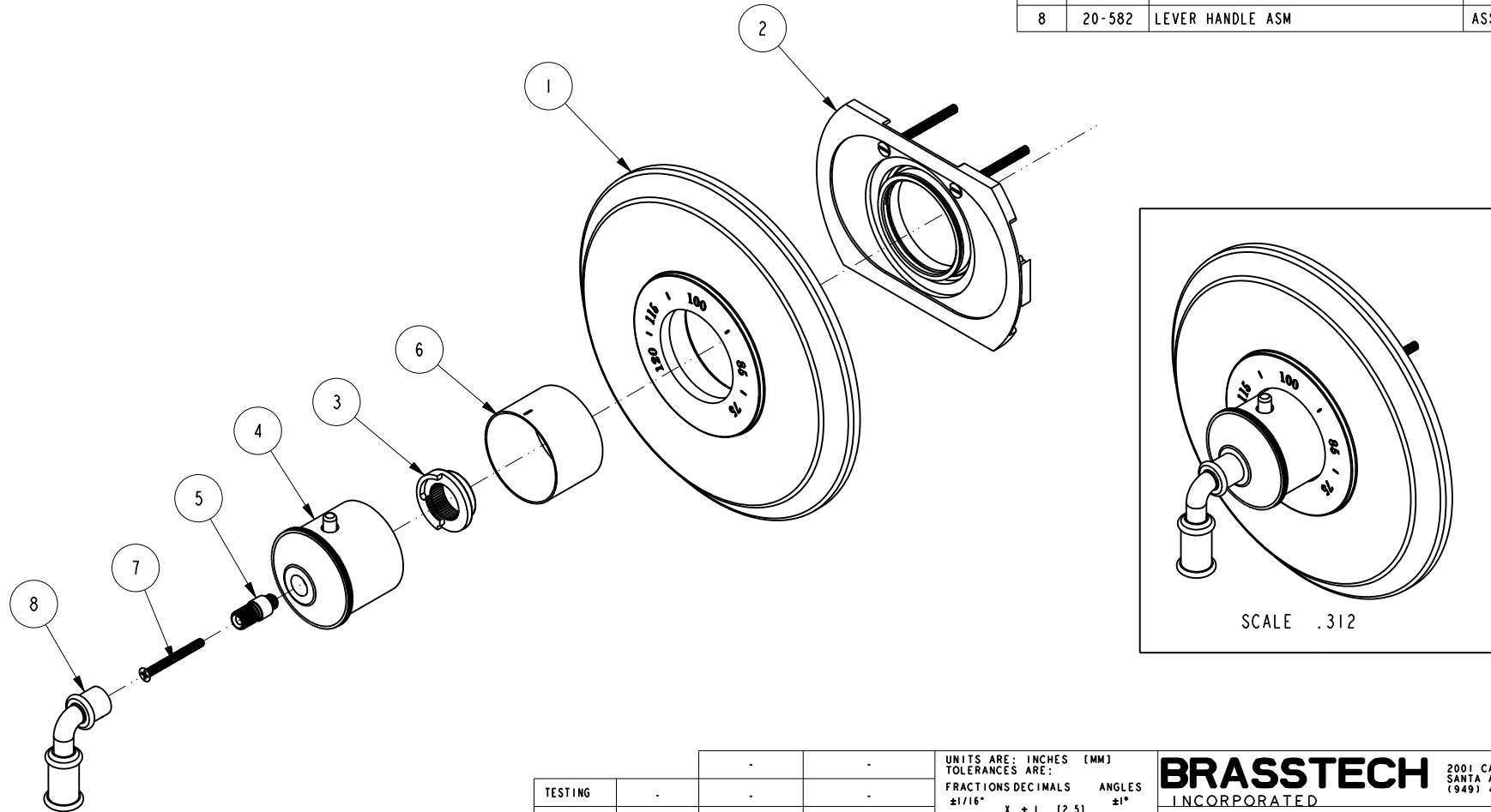


NOTES:

1. TO INSPECT ASSEMBLY, FOLLOW FIRST ARTICLE AND IN PROCESS INSPECTION SHEET.

BILL OF MATERIAL (CURRENT LEVEL)

ITEM	PT/ASSY	DESCRIPTION	TYPE	QTY.
1	12119	THERMO PLATE	PART	1
2	1-331	THERMO WALL PLATE ASM	ASSEMBLY	1
3	91308	TEMP LIMIT STOP - THERMO	PART	1
4	20-594	THERMO BONNET ASM	ASSEMBLY	1
5	92919	THERMO HANDLE ADAPTER	PART	1
6	11029	SLEEVE - THERMO	PART	1
7	92113	SCRW, M4 X .7 X 40 PHL FLT HD SS	PART	1
8	20-582	LEVER HANDLE ASM	ASSEMBLY	1



COPYRIGHT 2005 BRASSTECH, INC.
 THESE DRAWINGS AND THE DESIGNS
 DEPICTED HEREIN ARE THE PROPRIETARY
 PROPERTY OF BRASSTECH. ANY USE
 OR REPRODUCTION IS SUBJECT TO
 THE EXPRESS APPROVAL OF BRASSTECH.
 UNAUTHORIZED USE IS STRICTLY
 PROHIBITED. ALL RIGHTS RESERVED.

UNITS ARE: INCHES [MM]
 TOLERANCES ARE:
 FRACTIONS DECIMALS ANGLES
 ±1/16" .X ±.1 [2.5] ±1°
 .XX ±.06 [1.5]
 (X.XXX) DENOTES CRITICAL DIMS.
 ALL THREADS ARE CRITICAL

BRASSTECH 2001 CARNEGIE AVE.
 INCORPORATED SANTA ANA, CA 92705
 (949) 417-5207

3/4" THERMO TRIM

ZONE	REV	DESCRIPTION	DATE	APPROVED
-	-	EN-4257	11/20/20	J.M.

TESTING	-	-	-
ASSEMBLY	-	-	-
PLATING	-	-	-
POLISHING	-	NEXT ASSY	USED ON
MACHINING	-	APPLICATION	
TOOLING FIXTURE #		REMOVE ALL BURRS AND SHARP EDGES	

DRAWN	JINSON	09/22/20
CHECKED	J.M.	09/22/20
APPROVED	J.M.	09/22/20

DWG NO.	3-2944TR	REV	-
SCALE	.312	REF.	-
SHEET	1	OF	3

4

3

2

1

D

D

C

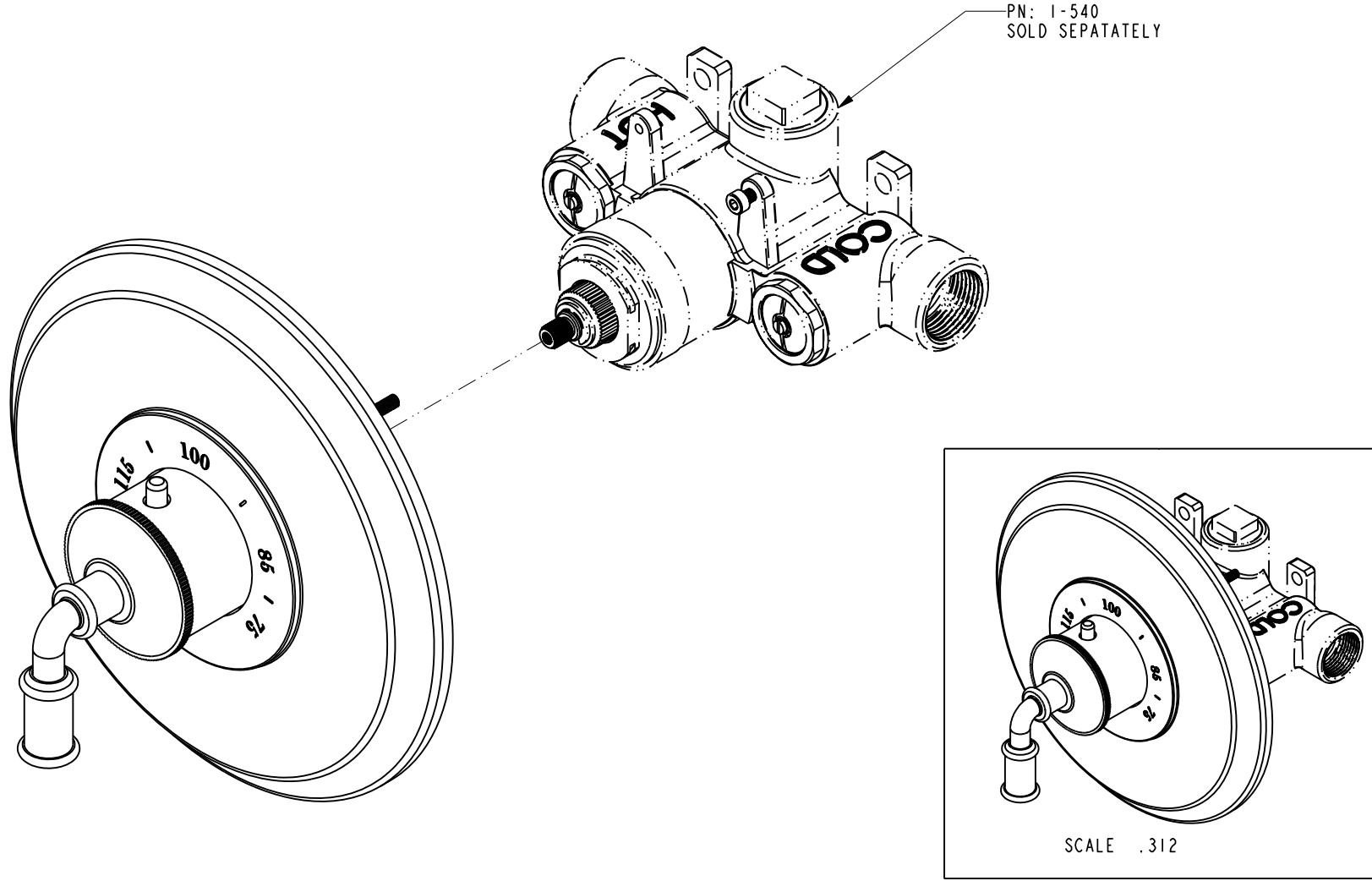
C

B

B

A

A



PN: 1-540
SOLD SEPARATELY

SCALE .312

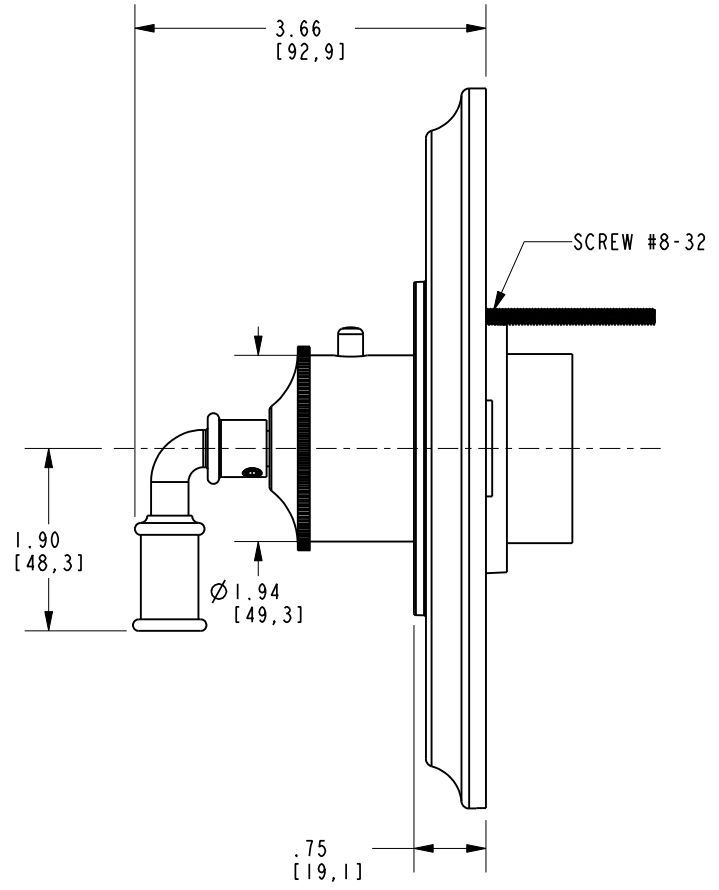
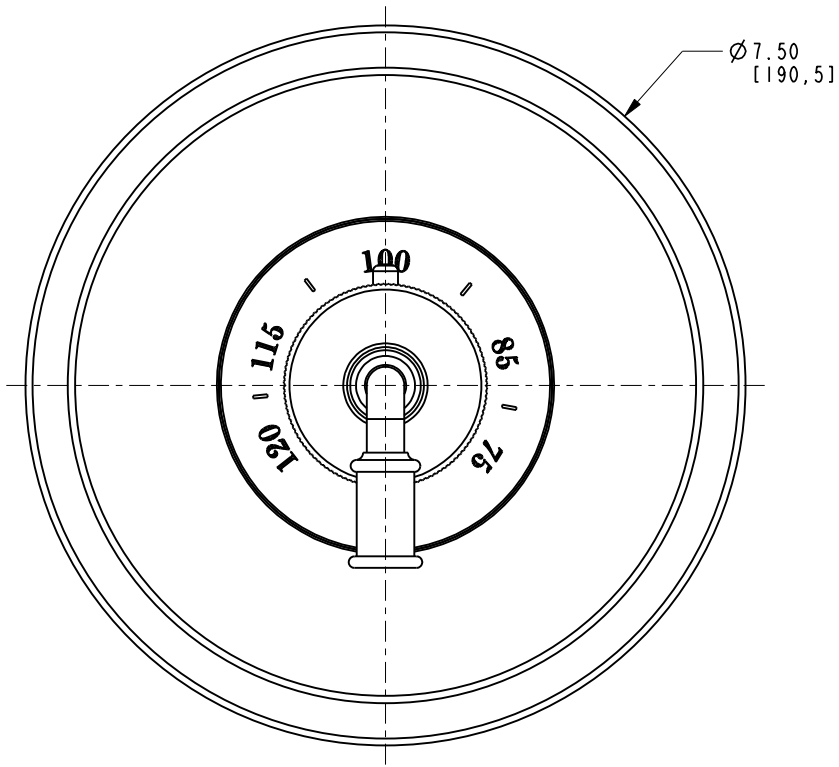
BRASSTECH		2001 CARNEGIE AVE. SANTA ANA, CA 92705 (949) 417-5207	
INCORPORATED			
DWG NO.	3-2944TR	REV	-
SCALE .500	REF. -	SHEET 2 OF 3	

4

3

2

1



BRASSTECH		2001 CARNEGIE AVE. SANTA ANA, CA 92705 (949) 417-5207	
INCORPORATED			
DWG NO.	3-2944TR	REV	-
SCALE	.375	REF.	-
		SHEET	3 OF 3