

NEWPORT BATH

Features

- All metal construction
- Designed for use with Newport Brass bridge tub fillers
- Floor mount rough kit require optional accessories, shown below
- 1/2" NPT hot and cold inlet fittings
- 3/4" NPT hot and cold outlet fittings
- Test caps and mud guards included
- Installation hardware included

Bridge Tub Floor Rough Kit

1-469



Codes / Standards Compliance

Meets or exceeds the following at date of manufacture:

- ASME A112.18.1/CSA B125.1
- IAMPO/cUPC
- IPC
- All applicable US Federal and State material regulations



Colors / Finishes

- 10B: Oil Rubbed Bronze
- 15: Polished Nickel
- 15S: Satin Nickel - PVD
- 26: Polished Chrome
- Other: Refer to the Newport Brass catalog for additional color/finish options.

Specified Model

Model	Description	Colors Finishes
1-469	Bridge Tub Filler Rough Kit (Floor Mount)	<input type="checkbox"/> 15 <input type="checkbox"/> 15S <input type="checkbox"/> 26 <input type="checkbox"/> Other

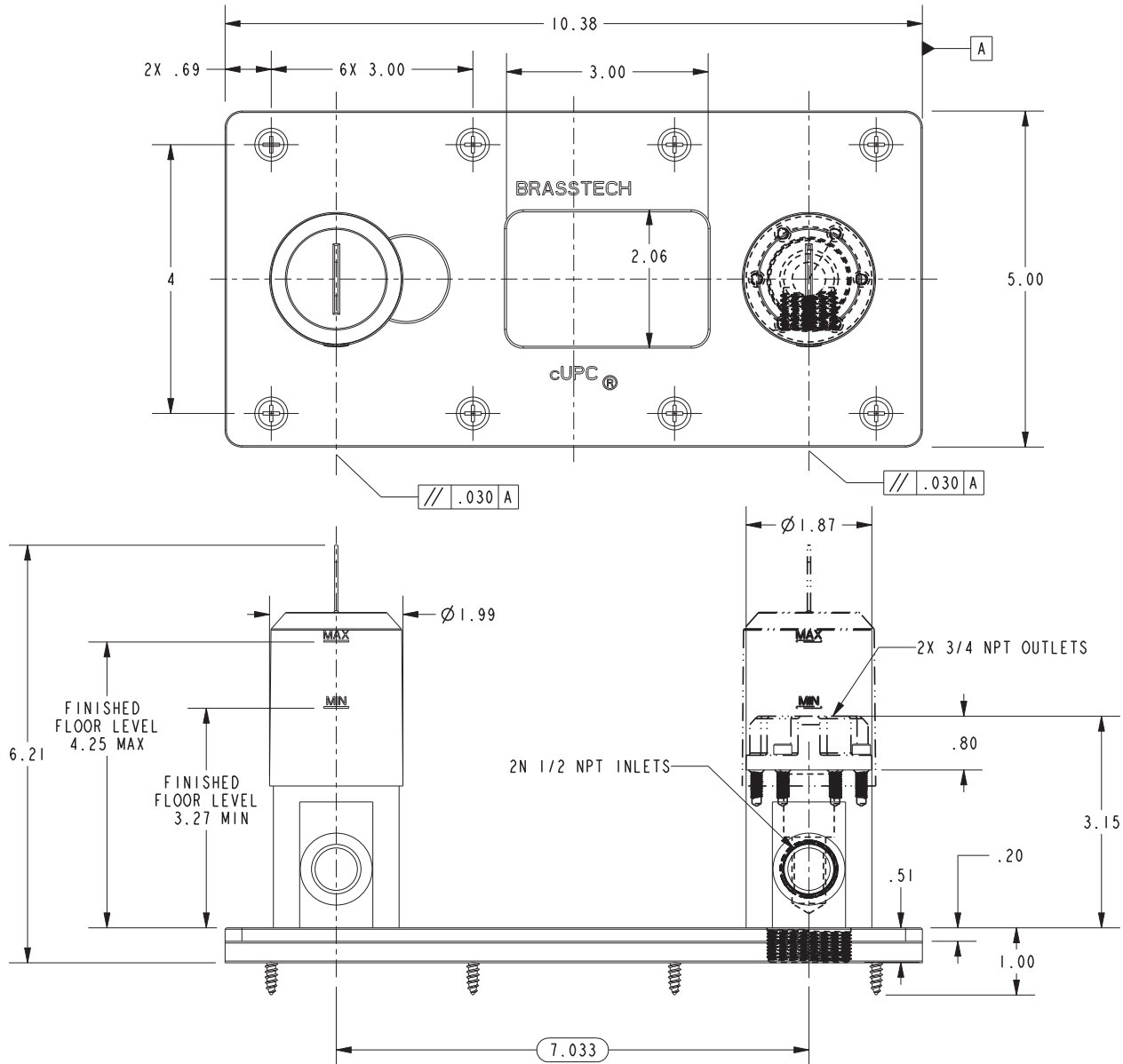
Product Specification Add "Color / Finish" suffix to Model number, below.

The Tub Filler Rough Kit shall be made of all metal construction. The Tub Filler Rough Kit shall incorporate fittings for both hot and cold. Product is designed to accommodate floor mounted configurations via the addition of optional accessories. The Tub Filler Rough Kit shall be Newport Brass Model 1-469. [Optional Tub Filler shall be 1400-426__/____, or 1500-426__/____.]

1-469

PRODUCT DIMENSIONS (Units are in inches)

Product Dimensions are provided for reference only. For specific product installation guidelines, please reference the Installation Instructions of the product being installed.



Newport Bath Bridge Tub Floor Rough Kit 1-469