

4

3

2

1

BILL OF MATERIAL (CURRENT LEVEL)

ITEM	PT/ASSY	DESCRIPTION	TYPE	QTY.
1	1-505	BP VALVE ASM W/DIVERTER	ASSEMBLY	1
2	3-802BP	TRIM KIT (3-802BP)	ASSEMBLY	1

D

C

B

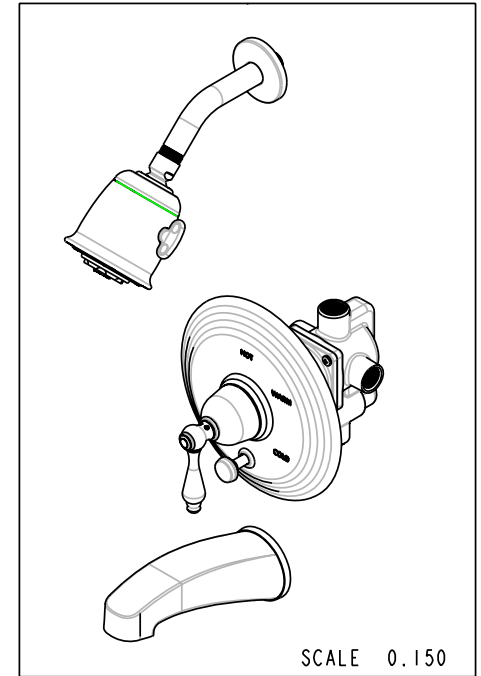
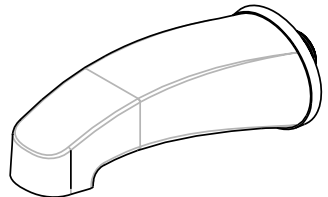
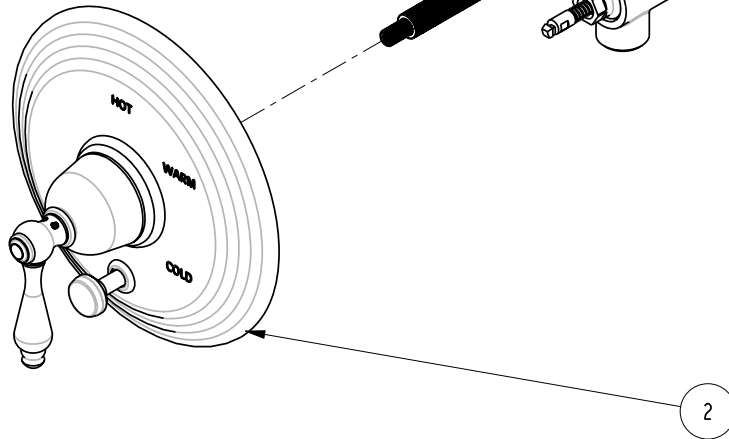
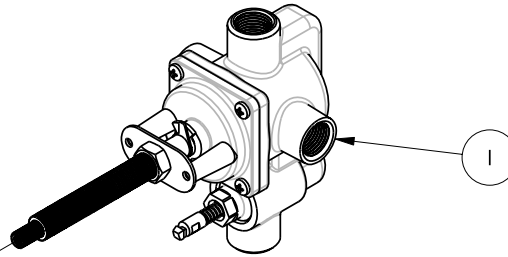
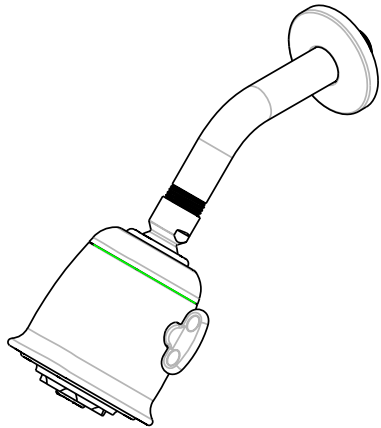
A

D

C

B

A



COPYRIGHT 2005 BRASSTECH, INC. THESE DRAWINGS AND THE DESIGNS DEPICTED HEREIN ARE THE PROPRIETARY PROPERTY OF BRASSTECH. ANY USE OR REPRODUCTION IS SUBJECT TO THE EXPRESS APPROVAL OF BRASSTECH. UNAUTHORIZED USE IS STRICTLY PROHIBITED. ALL RIGHTS RESERVED.

BRASSTECH
 INCORPORATED
 2001 E. CARNEGIE AVE.
 SANTA ANA, CA 92705
 (949) 417-5207

TUB/SHOWER SET

ASSY. NO. 802BP

SCALE 0.250

REF. -

SHEET 1 OF 3

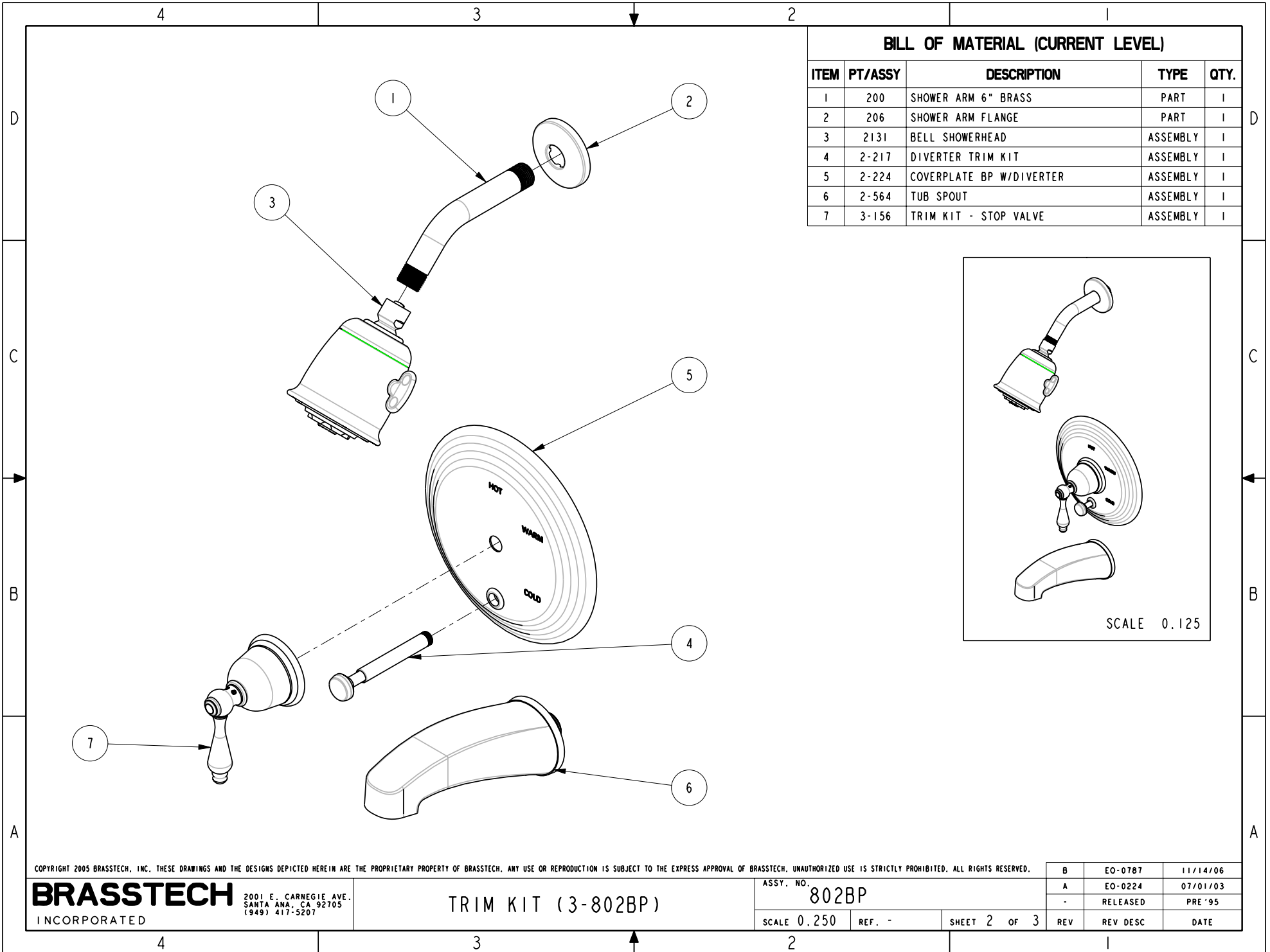
B	EO-0787	11/14/06
A	EO-0224	07/01/03
-	RELEASED	PRE '95
REV	REV DESC	DATE

4

3

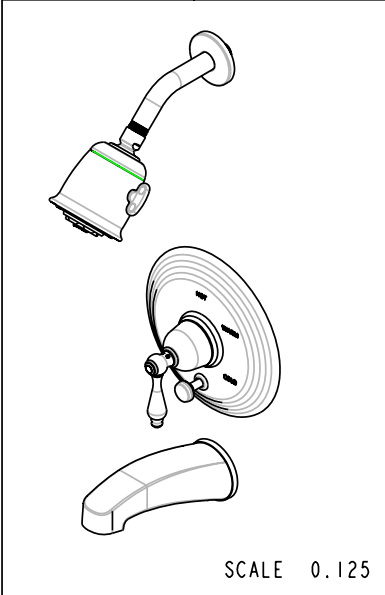
2

1



BILL OF MATERIAL (CURRENT LEVEL)

ITEM	PT/ASSY	DESCRIPTION	TYPE	QTY.
1	200	SHOWER ARM 6" BRASS	PART	1
2	206	SHOWER ARM FLANGE	PART	1
3	2131	BELL SHOWERHEAD	ASSEMBLY	1
4	2-217	DIVERTER TRIM KIT	ASSEMBLY	1
5	2-224	COVERPLATE BP W/DIVERTER	ASSEMBLY	1
6	2-564	TUB SPOUT	ASSEMBLY	1
7	3-156	TRIM KIT - STOP VALVE	ASSEMBLY	1



COPYRIGHT 2005 BRASSTECH, INC. THESE DRAWINGS AND THE DESIGNS DEPICTED HEREIN ARE THE PROPRIETARY PROPERTY OF BRASSTECH. ANY USE OR REPRODUCTION IS SUBJECT TO THE EXPRESS APPROVAL OF BRASSTECH. UNAUTHORIZED USE IS STRICTLY PROHIBITED. ALL RIGHTS RESERVED.

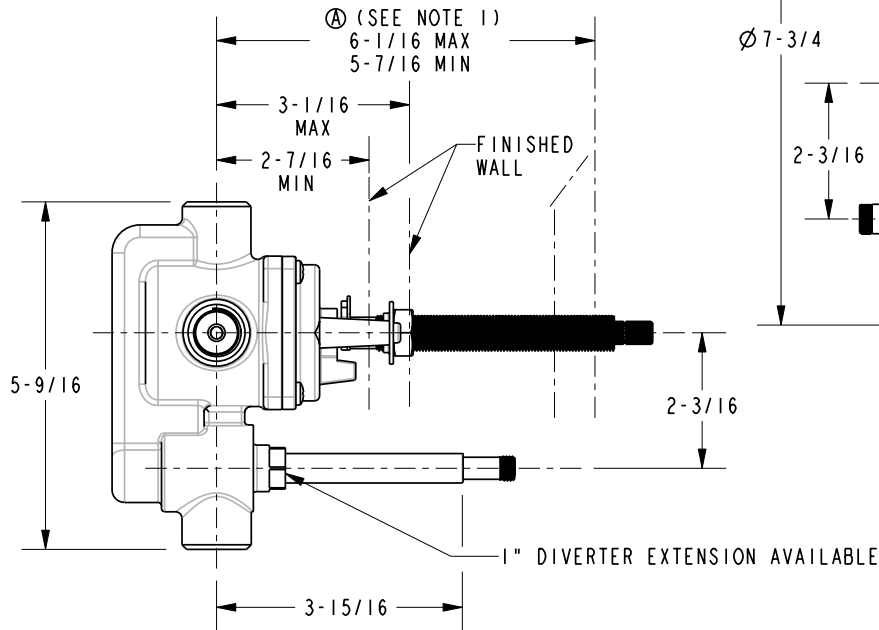
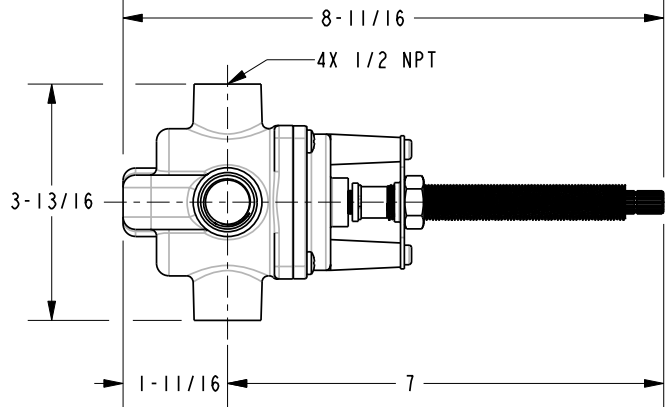
BRASSTECH
INCORPORATED
2001 E. CARNEGIE AVE.
SANTA ANA, CA 92705
(949) 417-5207

TRIM KIT (3-802BP)

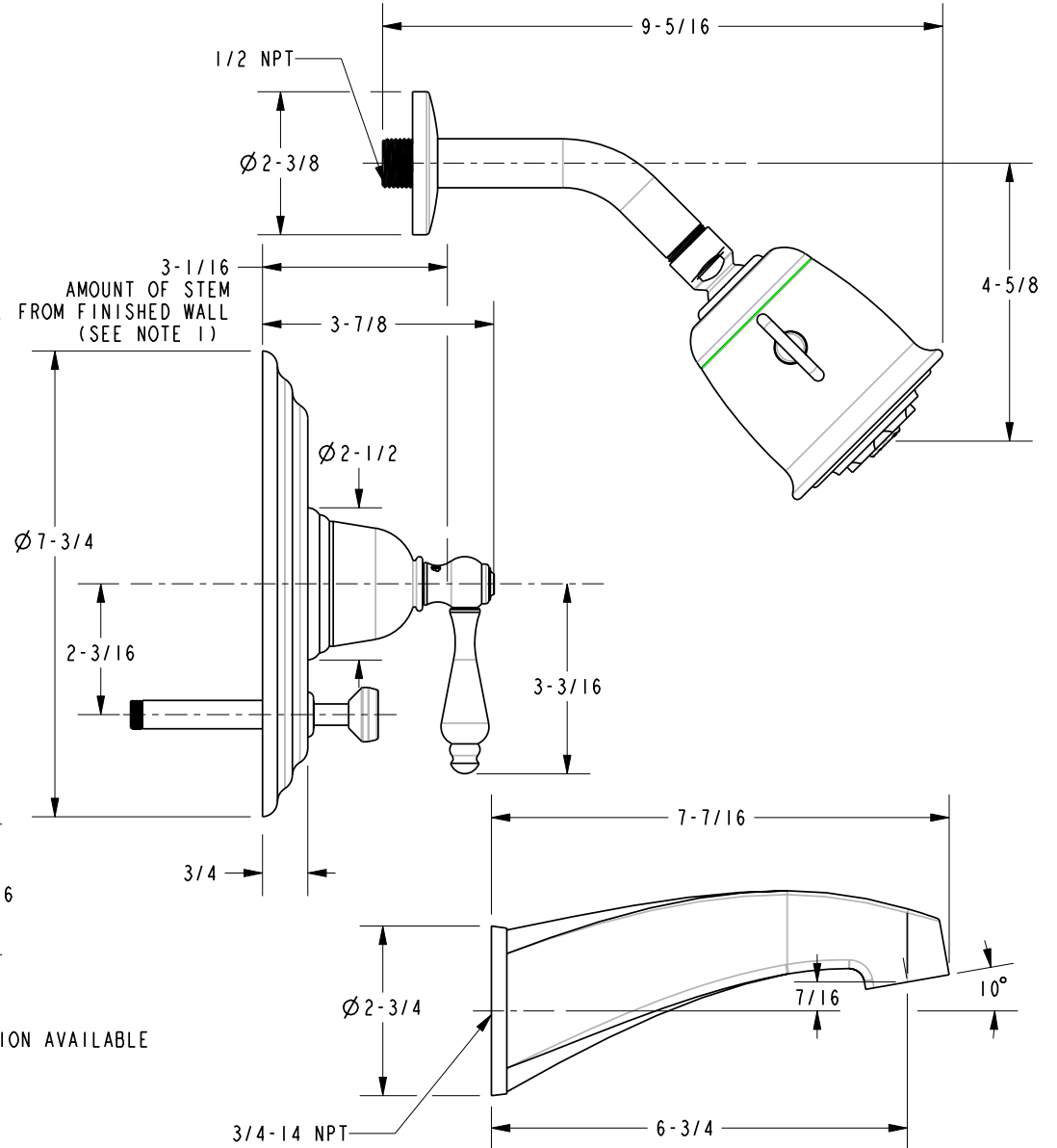
ASSY. NO.	802BP	
SCALE 0.250	REF. -	SHEET 2 OF 3
REV	REV DESC	DATE
B	EO-0787	11/14/06
A	EO-0224	07/01/03
-	RELEASED	PRE '95

SPECIFICATION DWG

1. CUT STEM TO DIMENSION "A".
CUT ALL-THREAD 1/2"
SHORTER THAN STEM.



3-1/16
REQ. FROM FINISHED WALL
(SEE NOTE 1)



DIMENSIONS ARE IN INCHES AND AN APPROXIMATION OF A TYPICAL INSTALLATION

COPYRIGHT 2005 BRASSTECH, INC. THESE DRAWINGS AND THE DESIGNS DEPICTED HEREIN ARE THE PROPRIETARY PROPERTY OF BRASSTECH. ANY USE OR REPRODUCTION IS SUBJECT TO THE EXPRESS APPROVAL OF BRASSTECH. UNAUTHORIZED USE IS STRICTLY PROHIBITED. ALL RIGHTS RESERVED.

BRASSTECH		2001 E. CARNEGIE AVE.
INCORPORATED		SANTA ANA, CA 92705
		(949) 417-5207
DWG NO.	802BP	REV B
SCALE 0.325	REF. -	SHEET 3 OF 3