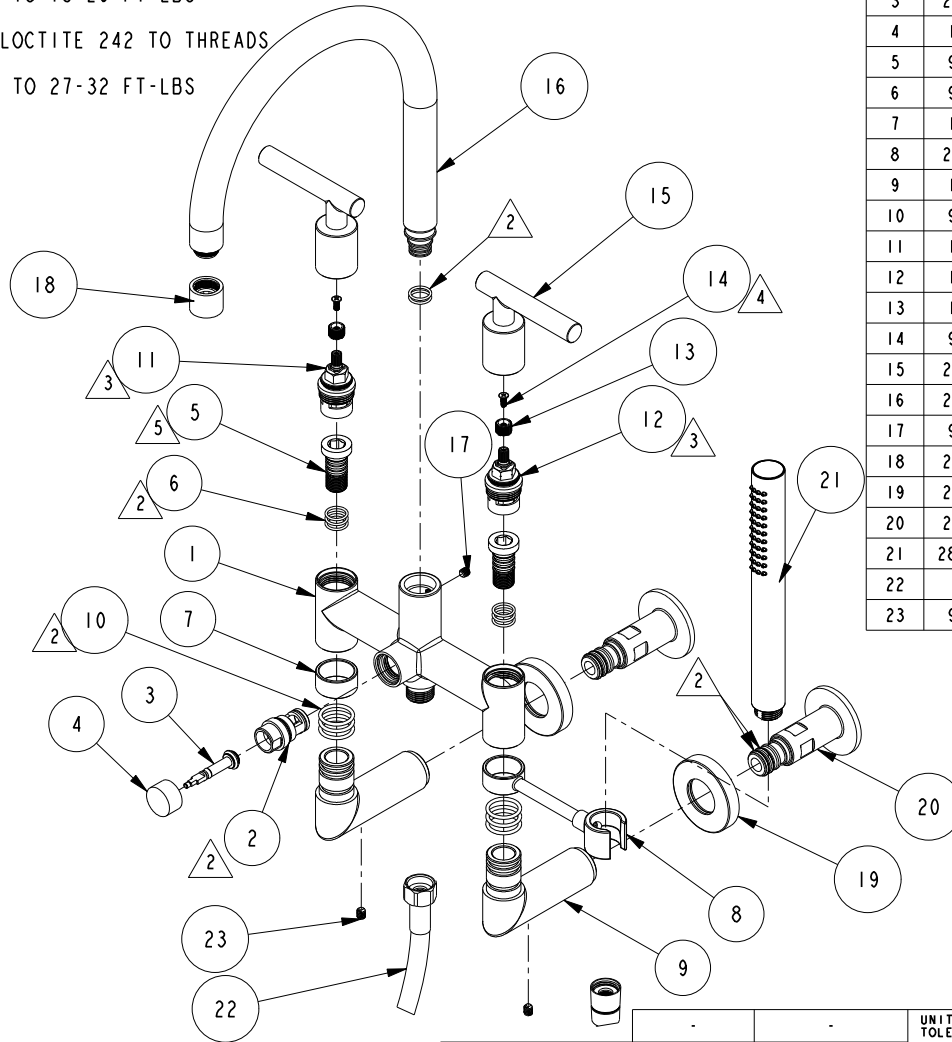


NOTES:

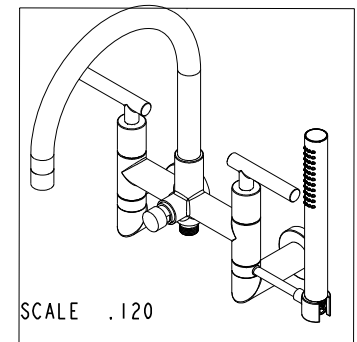
1. TO INSPECT ASSEMBLY, FOLLOW FIRST ARTICLE AND IN PROCESS INSPECTION SHEET.

- 2 APPLY THIN COAT OF SILICONE GREASE TO O-RINGS
- 3 TORQUE TO 15-20 FT-LBS
- 4 APPLY LOCTITE 242 TO THREADS
- 5 TORQUE TO 27-32 FT-LBS



BILL OF MATERIAL (CURRENT LEVEL)

ITEM	PT/ASSY	DESCRIPTION	TYPE	QTY.
1	13595	BRIDGE FAUCET BODY	PART	1
2	20-260	DIVERTER ASM	ASSEMBLY	1
3	20-259	DIVERTER ASM	ASSEMBLY	1
4	12191	DIVERTER BUTTON	PART	1
5	92916	INTERNAL SEALING SCREW	PART	2
6	91079	O-RING, #2- 015, EPDM, 65-75 DURO, NSF 61	PART	8
7	13596	SPACER RING	PART	1
8	20-589	TUB FILLER HANDSHOWER HOLDER ASM	ASSEMBLY	1
9	13754	TUB FILLER ELBOW	PART	2
10	91046	O-RING, #2-118, EPDM, 65-75 DURO	PART	6
11	1-146	CARTRIDGE 3/4, M24 (HOT)	PART	1
12	1-145	CARTRIDGE 3/4, M24 (COLD)	PART	1
13	12975	ADAPTER	PART	2
14	92035	SCRW, M4 X .7 X 10 PHL FLT HD SS	PART	2
15	20-352	LEVER HANDLE ASM	ASSEMBLY	2
16	20-609	BRIDGE TUB FILLER SPOUT ASM	ASSEMBLY	1
17	92995	SCRW, 1/4-20 X 1/4 SKT HD CUP PT SS NYLON PATCH	PART	1
18	20-601	FLOW STRAIGHTENER	ASSEMBLY	1
19	20-658	ESCUTCHEON ASM	ASSEMBLY	2
20	20-659	WALL MOUNTING ADAPTER ASM.	ASSEMBLY	2
21	283-101	ROUND WAND HANDSHOWER	ASSEMBLY	1
22	284	59 IN. SPIRAL SHOWER HOSE	ASSEMBLY	1
23	92945	SCRW, 1/4-20 X 5/16 SKT HD CUP PT SS NYLON PATCH	PART	2



TESTING	-	-	-
ASSEMBLY	-	-	-
PLATING	-	-	-
POLISHING	-	NEXT ASSY	USED ON
MACHINING	-	APPLICATION	
TOOLING FIXTURE #		REMOVE ALL BURRS AND SHARP EDGES	

UNITS ARE: INCHES [MM]		
TOLERANCES ARE:		
FRACTIONS DECIMALS	ANGLES	
±1/16"	.X ±.1 [2.5]	±1°
	.XX ±.06 [1.5]	
(X.XXX) DENOTES CRITICAL DIMS. ALL THREADS ARE CRITICAL		
DRAWN	G.B.	12/06/21
CHECKED	J.M.	12/06/21
APPROVED	J.M.	12/06/21

COPYRIGHT 2005 BRASSTECH, INC. THESE DRAWINGS AND THE DESIGNS DEPICTED HEREIN ARE THE PROPRIETARY PROPERTY OF BRASSTECH. ANY USE OR REPRODUCTION IS SUBJECT TO THE EXPRESS APPROVAL OF BRASSTECH. UNAUTHORIZED USE IS STRICTLY PROHIBITED. ALL RIGHTS RESERVED.

BRASSTECH 2001 CARNEGIE AVE. SANTA ANA, CA 92705 (949) 417-5207
INCORPORATED

WALL MOUNT TUB FILLER

DWG NO. **1500-4283** REV -

SCALE .175 REF. - SHEET 1 OF 2

EN-4432	12/06/21	J.M.
ZONE	REV	DESCRIPTION

