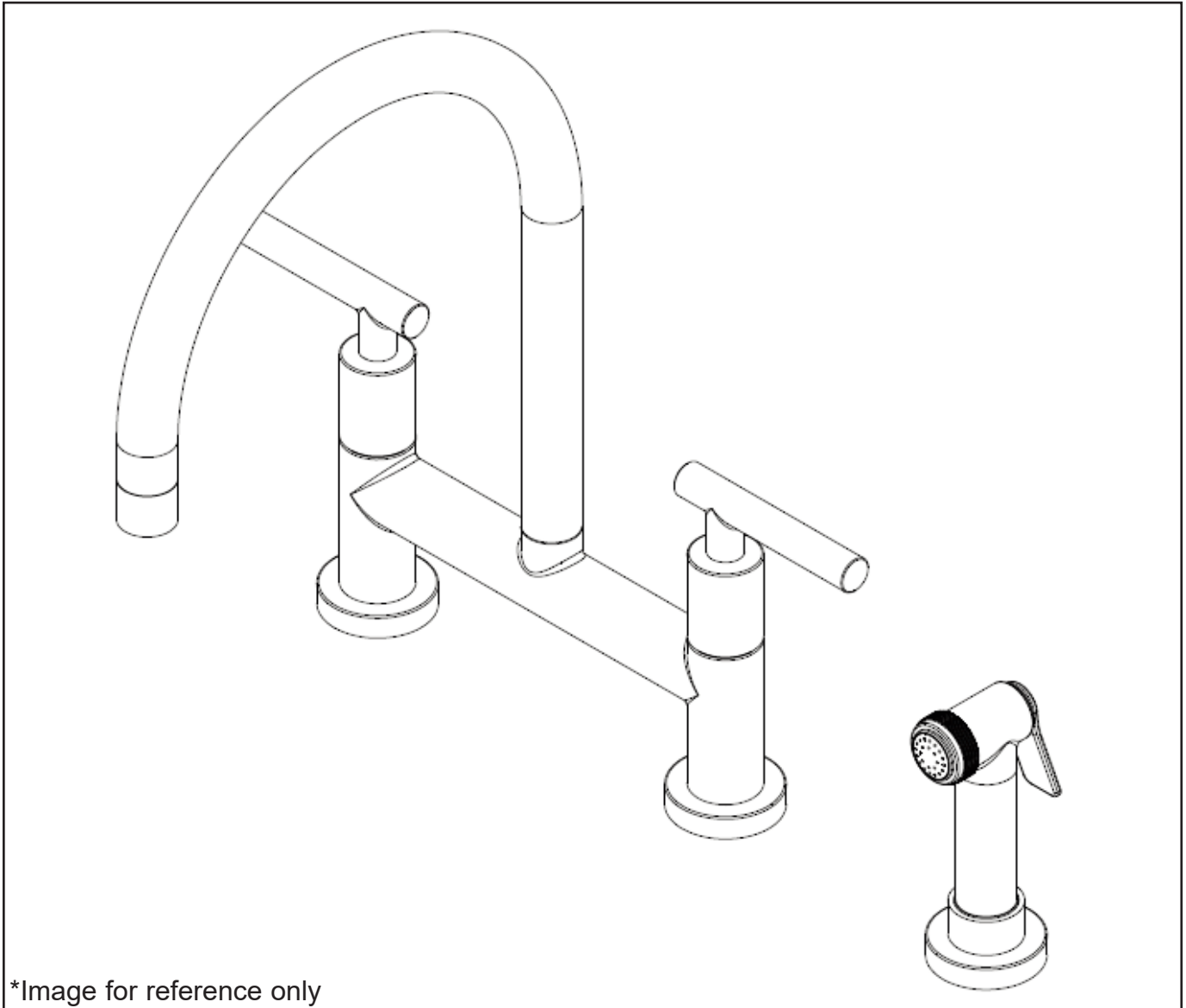


# INSTALLATION INSTRUCTIONS KITCHEN BRIDGE FAUCET WITH SIDE SPRAY

NEWPORT BRASS®

*Flawless Beauty. From Faucet to Finish.™*



\*Image for reference only

## **INSTALLERS WARNING: DO NOT CUT PEX SUPPLY LINES.**

**It is not necessary or prudent to cut the pex supply lines of this product. Brasstech will not accept product returns for any reason if the supply lines have been cut.**

**If you have made this mistake, please contact Brasstech customer service at**

**(949) 417-5206 for assistance.**

## Recommended Installation by a Professional Plumbing Contractor



Installer: Do not cut pex supply line. Doing so will void warranty and expose installer to potential liability.

### NOTE:

A. This product meets the flow rate and performance requirements of the harmonized Uniform Plumbing Code (cUPC). If your regional requirements vary from the cUPC, please contact Brasstech Customer service 949.417.5207) to discuss conformance options.

B. The use of petroleum base plumbers putty on our products will nullify the warranty. We recommend the use of clear silicone sealing materials. Recommended deck hole size for all holes are  $\text{Ø}1\text{-}3/8\text{'}$ .

C. If mounting the faucet to a stainless steel rim, an under-mount support, (e.g. wood, appropriate size x 1/2" thick), should be utilized.

1. Insert water supply lines through mounting holes, then place faucet and side spray with escutcheons attached onto the deck, and secure with flange nuts. See **Fig. 1**.
2. Insert tee hose into the diverter housing and secure with the tee clip, ensure clip and tee hose are properly secured and tee hose cannot be removed. See **Fig. 2**.
3. Insert return hoses into free ends of the tee hose and secure with the hose clips. See **Fig. 3**.
4. Pull diverter clip until loose, do not remove completely. Insert the diverter which is attached to the sidespray hose into the diverter housing. Push the diverter clip back in to lock the diverter. See **Fig. 4**.
5. Attach hot and cold supply lines to water supplies. **DO NOT** turn on water supply yet. See **Fig. 5**.
6. Remove aerator from spout, turn on water supply, and flush valves until water is clear. Check for leaks and make any final adjustments required. Re-attach aerator to the spout. See **Fig. 6**.

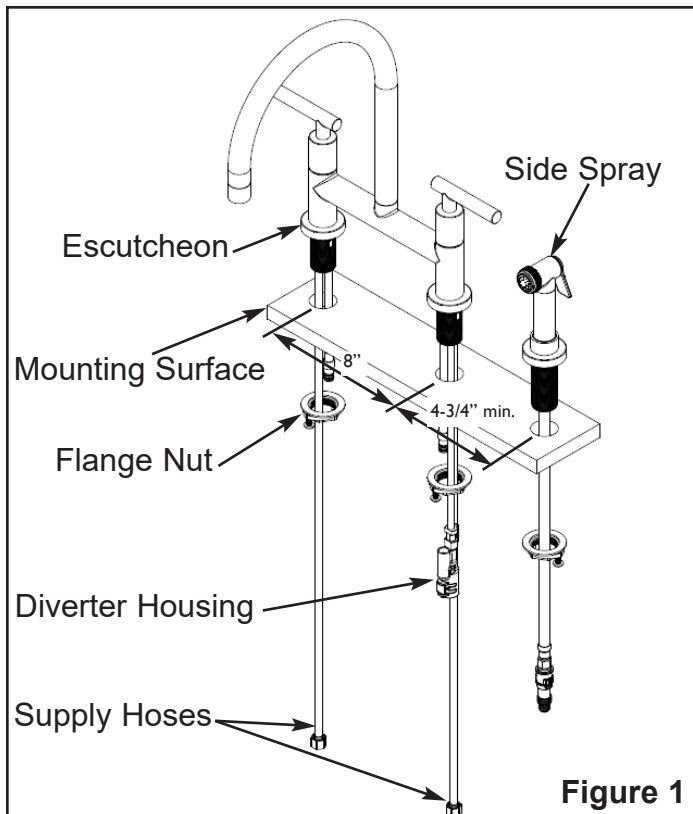


Figure 1

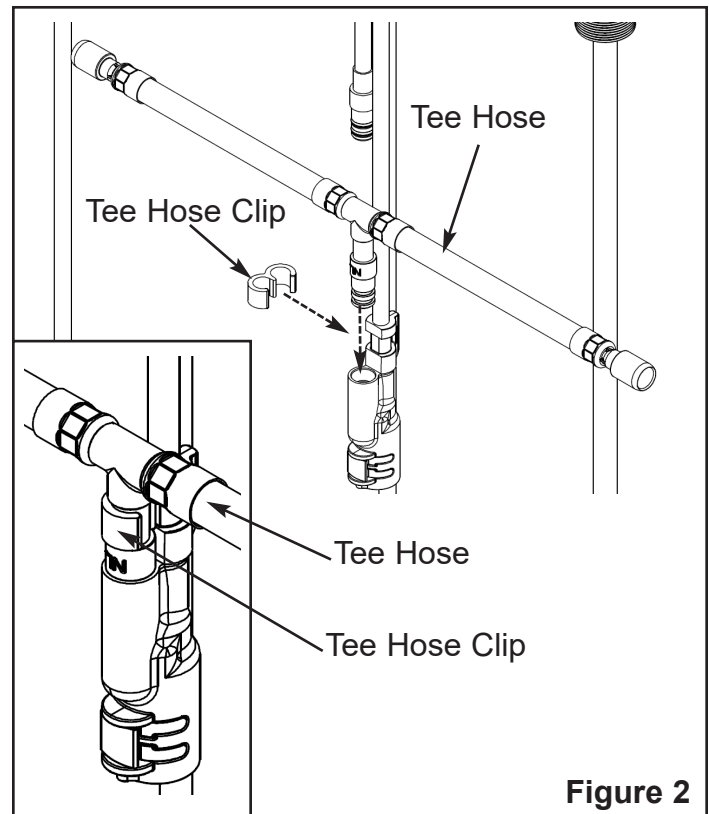
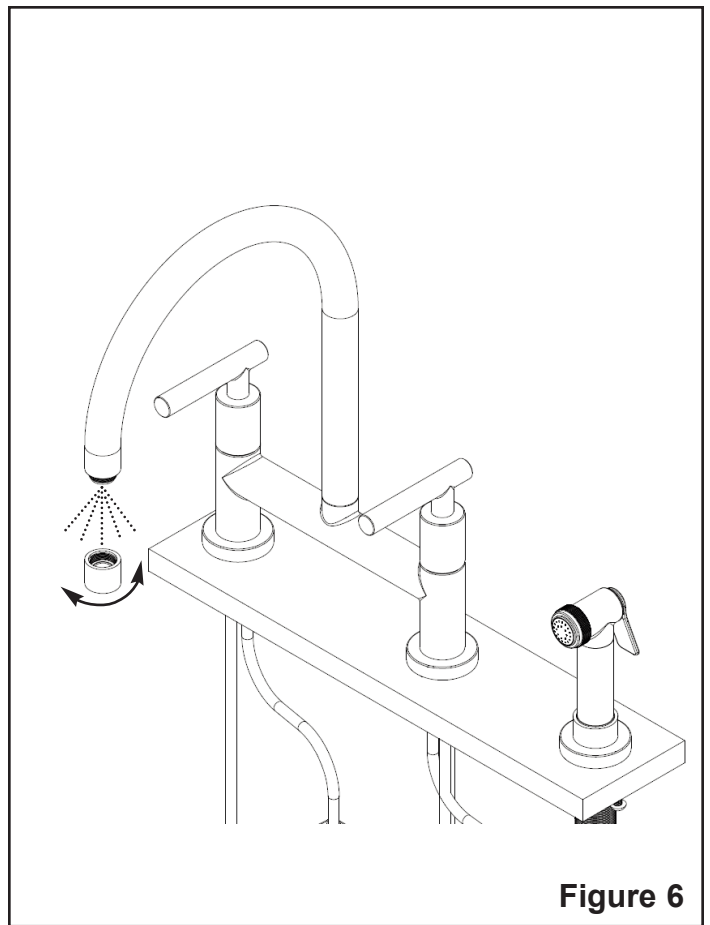
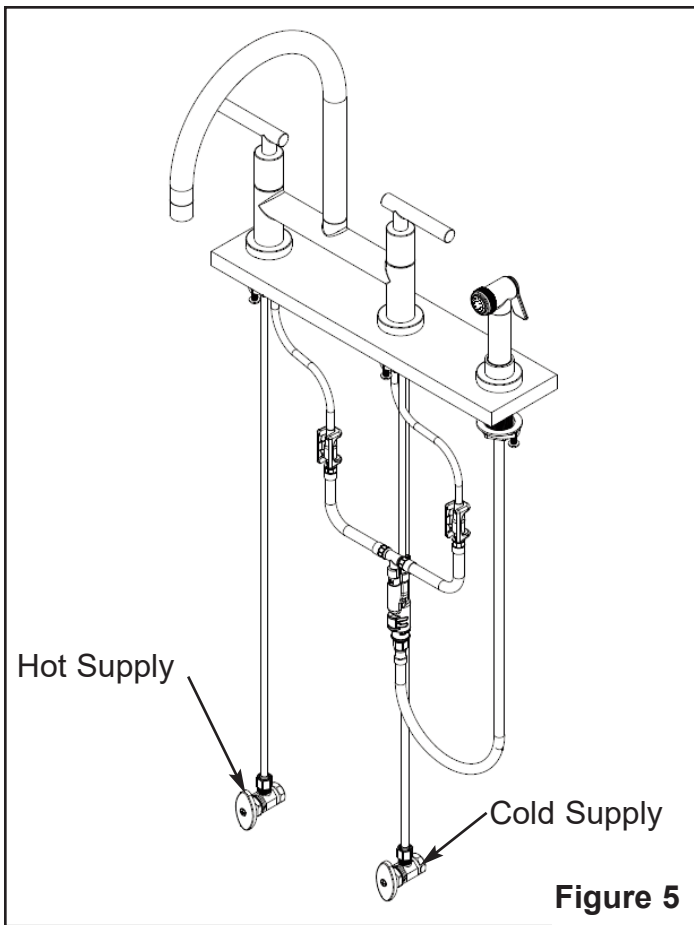
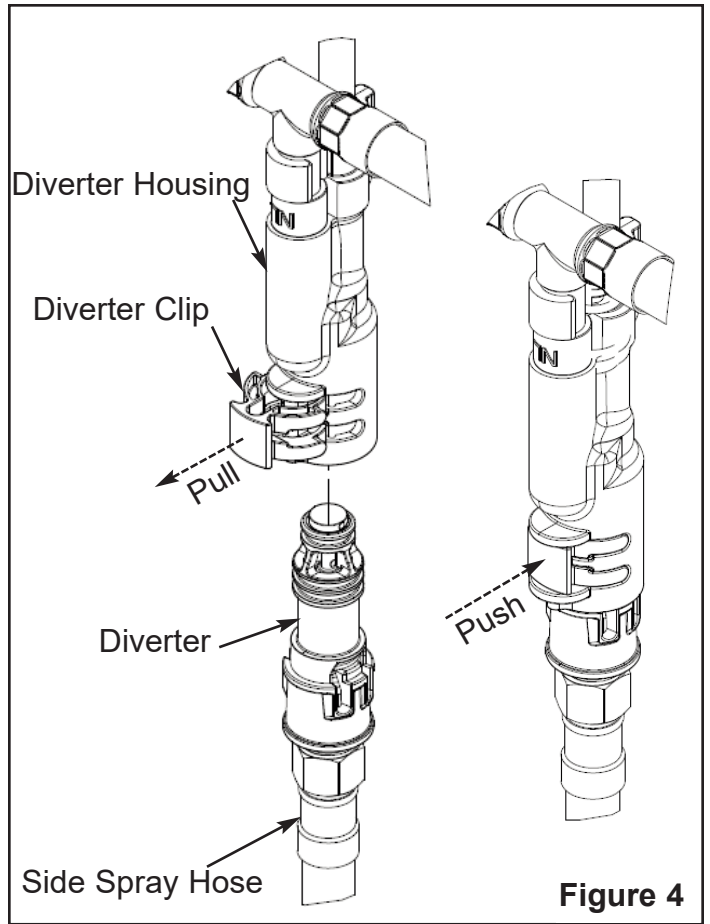
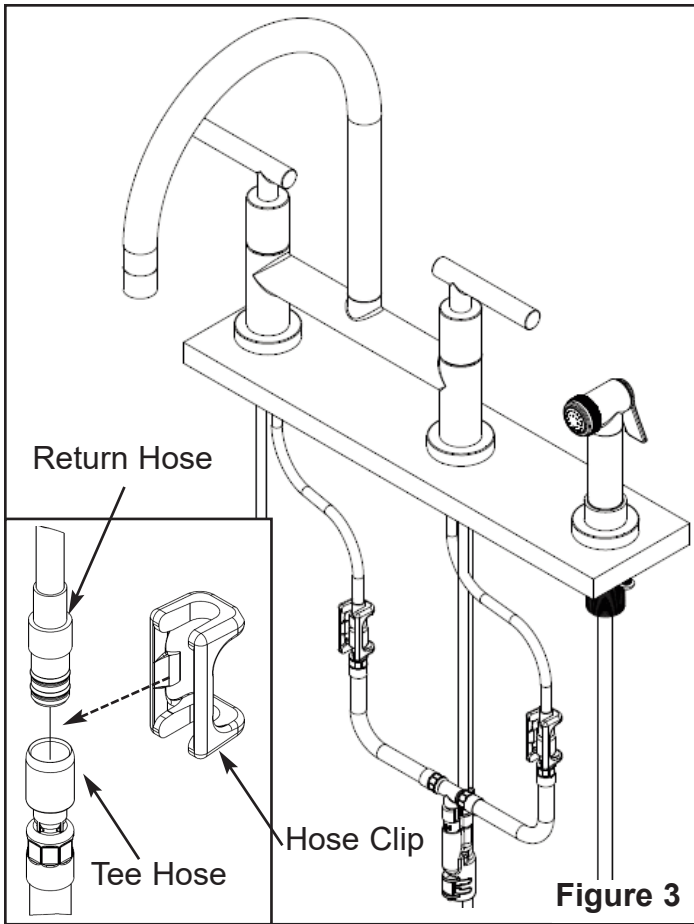
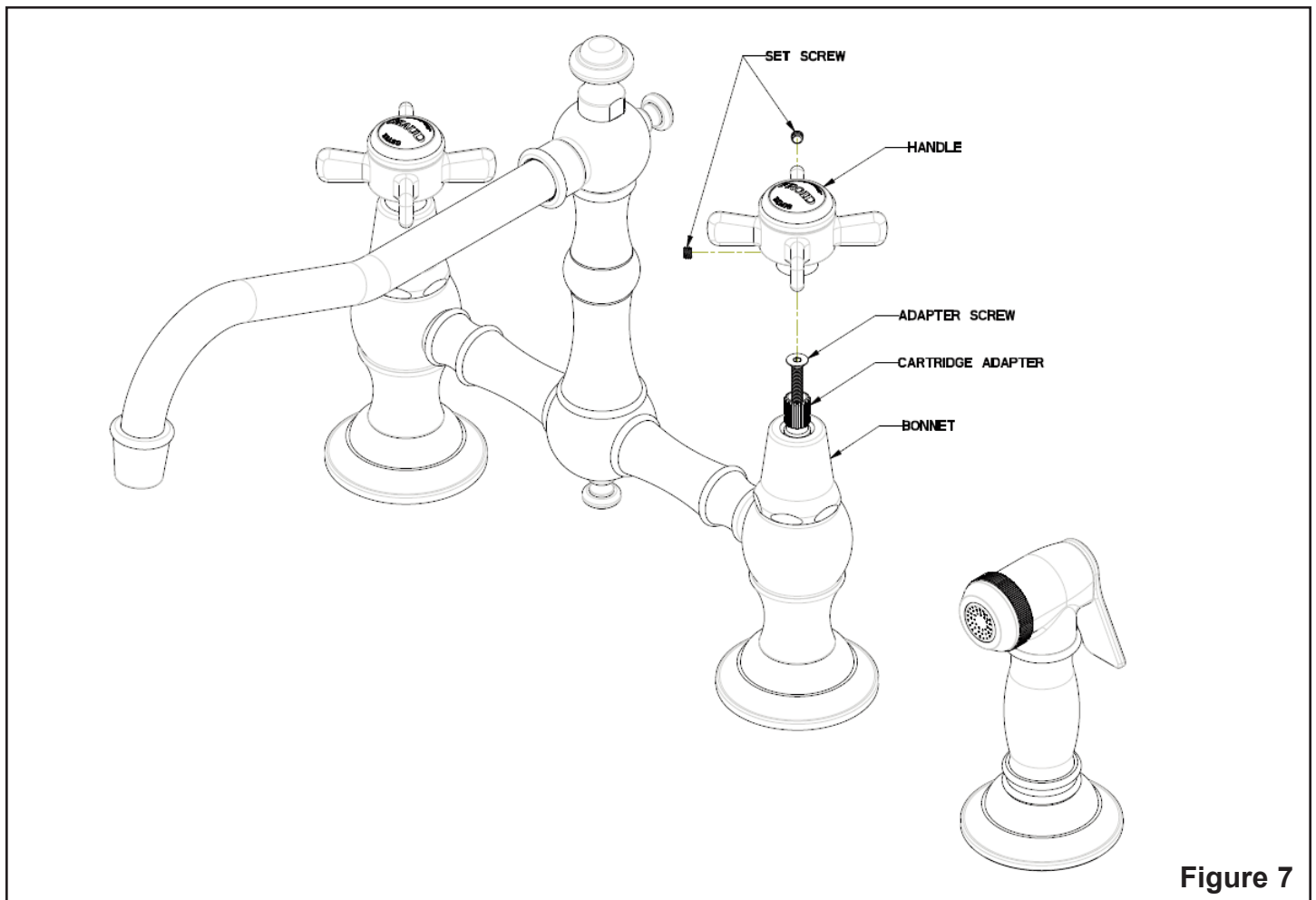


Figure 2



## **Adjust Handle Alignment (Side Mount Set Screws Option):**

1. In **Figure 7**, ensure cartridges in full closed position and check HANDLE alignment. If the HANDLE is not correctly aligned, temporarily remove the HANDLE, loosen up (but do not completely remove) the SET SCREWS.
2. Remove the ADAPTER SCREW and make adjustments to the CARTRIDGE ADAPTER by removing it and rotating it either clockwise or counterclockwise by one tooth when placing it back on.
3. Place the HANDLE on the CARTRIDGE ADAPTER but do not tighten SET SCREWS yet, check for alignment. If still not aligned properly continue to adjust CARTRIDGE ADAPTER.
4. Once aligned properly, secure CARTRIDGE ADAPTER with the ADAPTER SCREW, place the HANDLE on the CARTRIDGE ADAPTER and tighten the SET SCREWS to lock it in place. Assure a small gap between the HANDLE and BONNET to prevent metal-to-metal contact.



**Figure 7**

### **Adjust Handle Alignment (Thread-on Bonnet Option):**

1. In **Figure 8**, ensure cartridges in full closed position and check HANDLE alignment. If the HANDLE is not correctly aligned, temporary remove the HANDLE by unscrewing the BONNET
2. Remove the ADAPTER SCREW and make adjustments to the CARTRIDGE ADAPTER by removing it and rotating it either clockwise or counterclockwise by one tooth and placing it back on.
3. Secure CARTRIDGE ADAPTER with ADAPTER SCREW and check HANDLE alignment by replacing the HANDLE. If not aligned properly, continue to adjust CARTRIDGE ADAPTER until properly aligned.

