

4

3

2

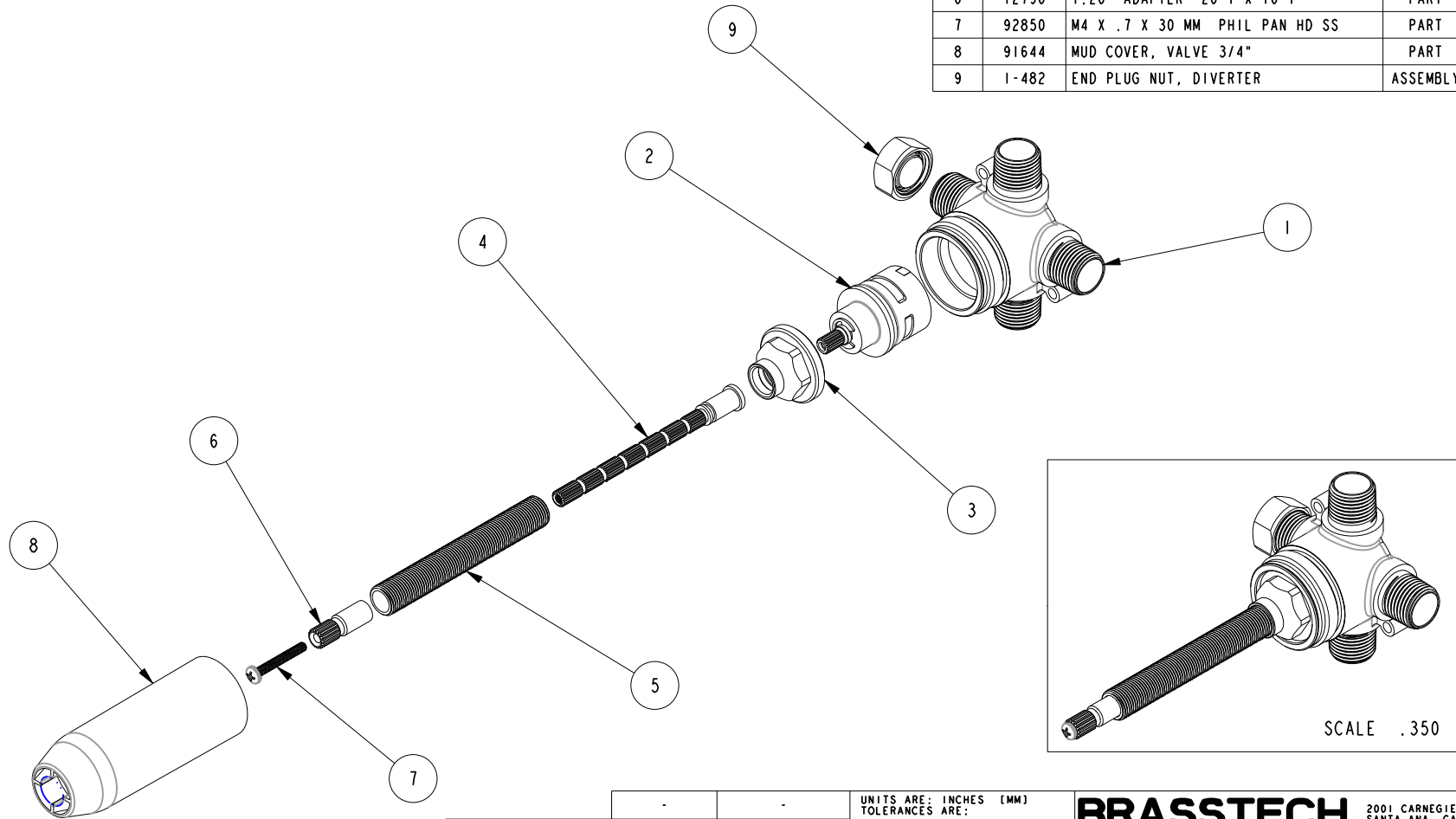
1

NOTES:

- (N1) 1. TO INSPECT ASSEMBLY, FOLLOW FIRST ARTICLE AND IN PROCESS INSPECTION SHEET.
- 2. IF CARTRIDGE STEM LENGTH IS TOO SHORT, OPTIONAL STEM EXTENSION KIT #1-384 CAN BE PURCHASED TO EXTEND STEM LENGTH.

BILL OF MATERIAL (CURRENT LEVEL)

ITEM	PT/ASSY	DESCRIPTION	TYPE	QTY.
1	12749	BODY, DIVERTER	PART	1
2	1-479	CARTRIDGE, 3 FUNCTION, 1 SHUT-OFF	PART	1
3	12748	BONNET, DIVERTER	PART	1
4	11345	STEM, 20T EXT. FULL BROACH	PART	1
5	10631	NIPPLE 9/16-20	PART	1
6	12790	1.20" ADAPTER- 20-T X 16-T	PART	1
7	92850	M4 X .7 X 30 MM PHIL PAN HD SS	PART	1
8	91644	MUD COVER, VALVE 3/4"	PART	1
9	1-482	END PLUG NUT, DIVERTER	ASSEMBLY	1



TESTING	-	-	-
ASSEMBLY	-	-	-
PLATING	-		
POLISHING	-	NEXT ASSY	USED ON
MACHINING	-		
TOOLING FIXTURE #		REMOVE ALL BURRS AND SHARP EDGES	

UNITS ARE: INCHES [MM]	
TOLERANCES ARE:	
FRACTIONS DECIMALS	ANGLES
±1/16"	.X ±.1 [2.5] ±1°
	.XX ±.06 [1.5]
(X.XXX) DENOTES CRITICAL DIMS. ALL THREADS ARE CRITICAL	
DRAWN	NMS 09/10/21
CHECKED	H. SANTOS 09/10/21
APPROVED	H. SANTOS 09/10/21

BRASSTECH 2001 CARNEGIE AVE. SANTA ANA, CA 92705 (949) 417-5207
INCORPORATED

IN-WALL DIVERTER, 3-FUNCTION, 1 SHUT-OFF

DWG NO. **1-705** REV -

SCALE .350 REF. - SHEET 1 OF 2

COPYRIGHT 2005 BRASSTECH, INC. THESE DRAWINGS AND THE DESIGNS DEPICTED HEREIN ARE THE PROPRIETARY PROPERTY OF BRASSTECH. ANY USE OR REPRODUCTION IS SUBJECT TO THE EXPRESS APPROVAL OF BRASSTECH. UNAUTHORIZED USE IS STRICTLY PROHIBITED. ALL RIGHTS RESERVED.

EN-4363	02/10/21	N.S.		
ZONE	REV	DESCRIPTION	DATE	APPROVED

4

3

2

1

