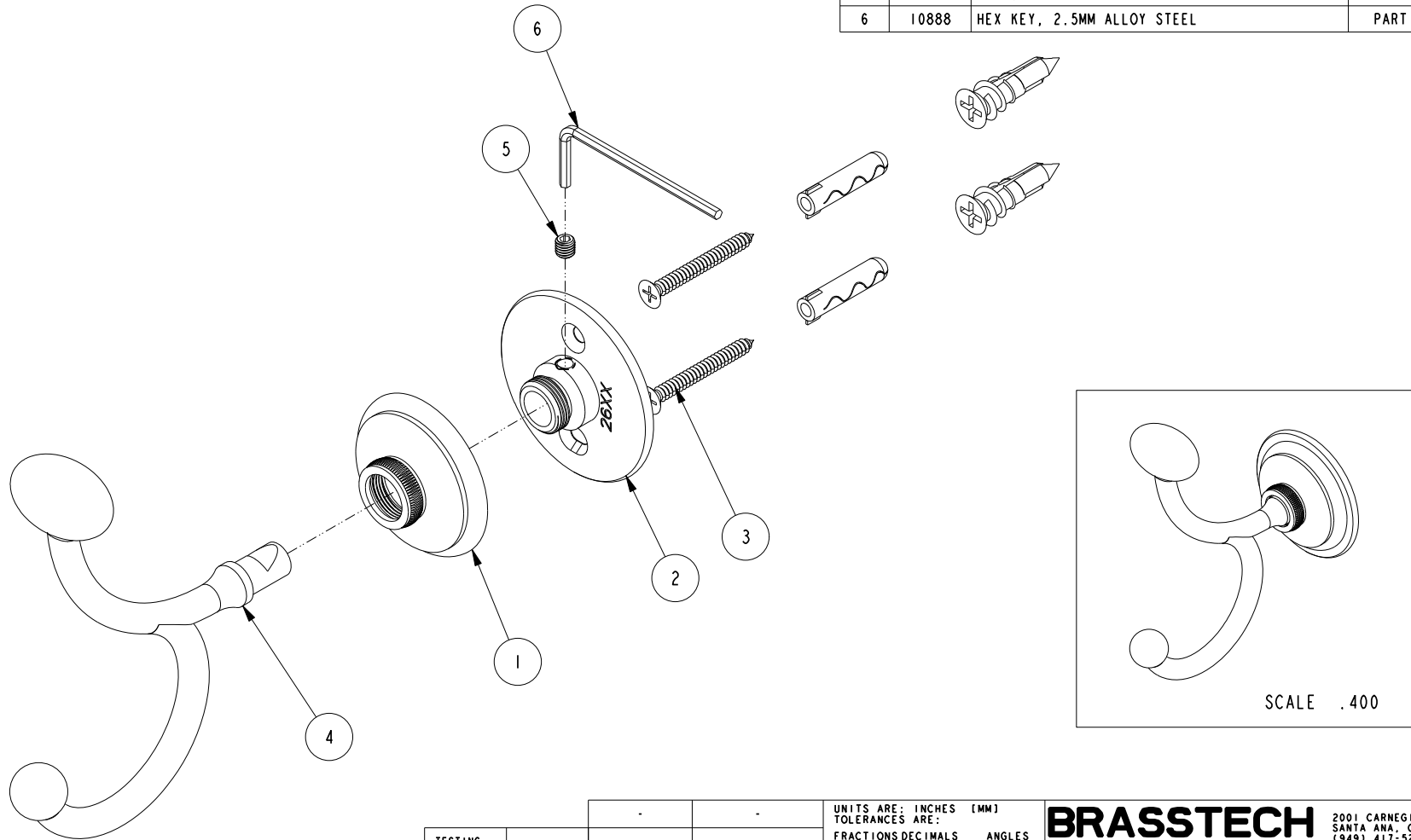


NOTES:

1. TO INSPECT ASSEMBLY, FOLLOW FIRST ARTICLE AND IN PROCESS INSPECTION SHEET.

BILL OF MATERIAL (CURRENT LEVEL)

ITEM	PT/ASSY	DESCRIPTION	TYPE	QTY.
1	40805	ROSETTE	PART	1
2	26XX	MOUNTING FLANGE	PART	1
3	1-206	HARDWARE PACK	ASSEMBLY	1
4	40804	HOOK POST	PART	1
5	92308	SCRW, M5 X 5 SKT HD CUP PT SS	PART	1
6	10888	HEX KEY, 2.5MM ALLOY STEEL	PART	1



ZONE	REV	DESCRIPTION	DATE	APPROVED
-	B	EN-43001	10/25/21	R.S.
-	A	EN-4022	11/12/19	J.M.
-	-	EN-3914	08/08/19	J.M.

COPYRIGHT 2005 BRASSTECH, INC. THESE DRAWINGS AND THE DESIGNS DEPICTED HEREIN ARE THE PROPRIETARY PROPERTY OF BRASSTECH. ANY USE OR REPRODUCTION IS SUBJECT TO THE EXPRESS APPROVAL OF BRASSTECH. UNAUTHORIZED USE IS STRICTLY PROHIBITED. ALL RIGHTS RESERVED.

TESTING	ASSEMBLY	PLATING	POLISHING	MACHINING	TOOLING FIXTURE #
-	-	-	-	-	-
-	-	-	-	-	-
-	-	-	NEXT ASSY	USED ON	-
-	-	-	-	-	-
APPLICATION					
REMOVE ALL BURRS AND SHARP EDGES					

UNITS ARE: INCHES [MM]		
TOLERANCES ARE:		
FRACTIONS	DECIMALS	ANGLES
±1/16"	.X ±.1 [2.5]	±1°
	.XX ±.06 [1.5]	
(X.XXX) DENOTES CRITICAL DIMS. ALL THREADS ARE CRITICAL		
DRAWN	JINSON	10/25/21
CHECKED	R.S.	10/25/21
APPROVED	R.S.	10/25/21

BRASSTECH 2001 CARNEGIE AVE. SANTA ANA, CA 92705 (949) 417-5207
INCORPORATED

DOUBLE ROBE HOOK

DWG NO.	1600-1660	REV	B
SCALE	.600	REF.	-
SHEET	1	OF	2

4 3 2

D

C

B

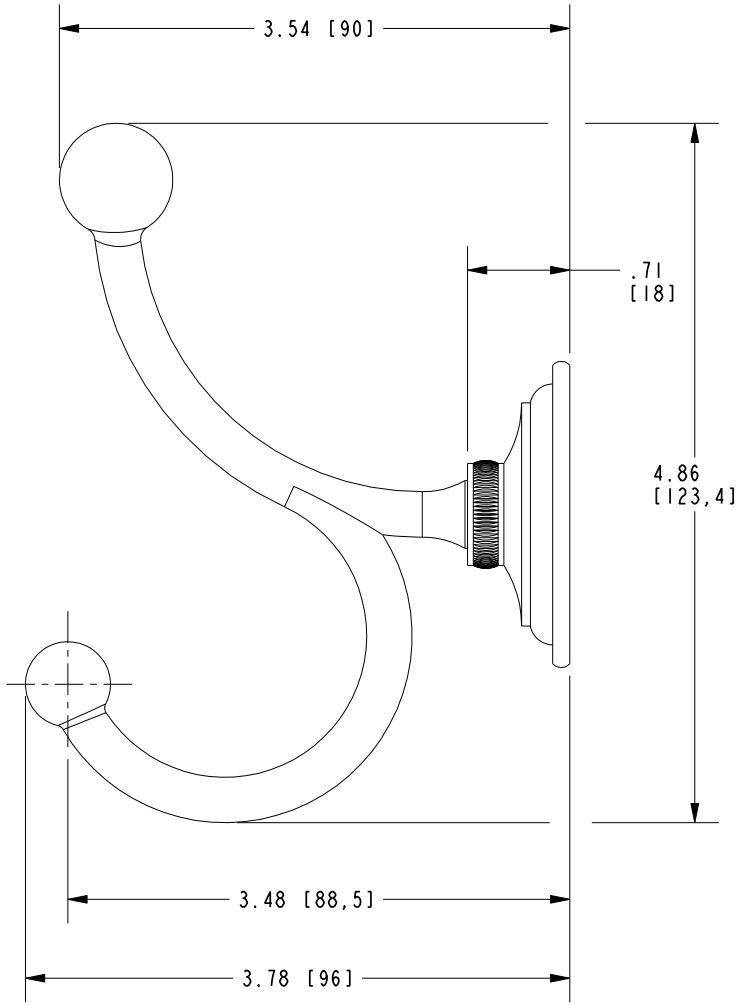
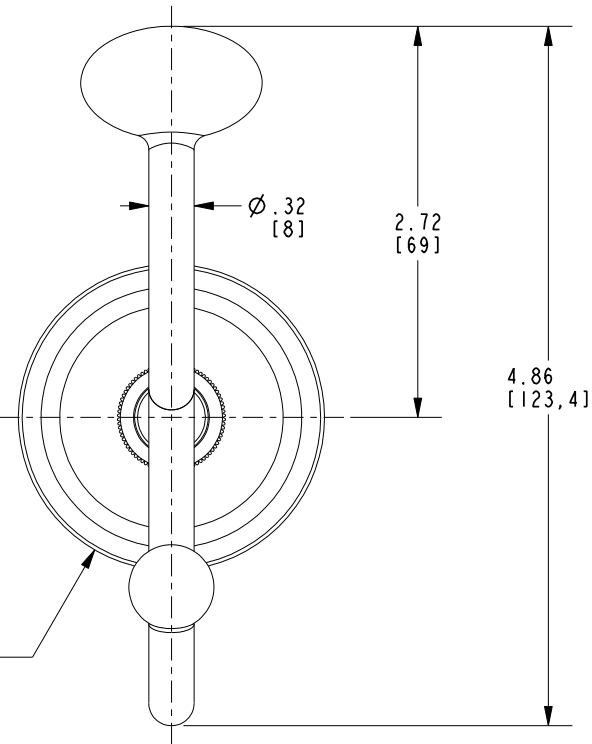
A

D

C

B

A



BRASSTECH		2001 E. CARNEGIE AVE. SANTA ANA, CA 92705 (949) 417-5207	
DWG NO.	1600-1660	REV	B
SCALE	.750	REF.	-
		SHEET	2 OF 2

4 3 2