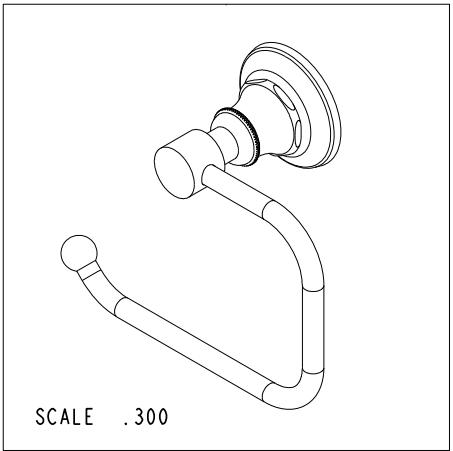


**BILL OF MATERIAL (CURRENT LEVEL)**

ITEM	PT/ASSY	DESCRIPTION	TYPE	QTY.
1	1-212	ACCESSORY MTG KIT	ASSEMBLY	1
2	12242	HANDLE ESCUTCHEON	PART	1
3	30352	HANDLE BONNET	PART	1
4	40243	OPEN TOWEL/TISSUE POST	PART	1
5	2-304	ROLLER ASM-TISSUE	ASSEMBLY	1
6	92107	SCRW, 8-32 X 1/4 SKT HD DOG PT SS	PART	1
7	92000	SCRW, 8-32 X 1/8 SKT HD CUP PT SS	PART	1
8	1-125	HARDWARE KIT	ASSEMBLY	1
9	91231	O-RING, #2-136, EPDM, 65-75 DURO	PART	1



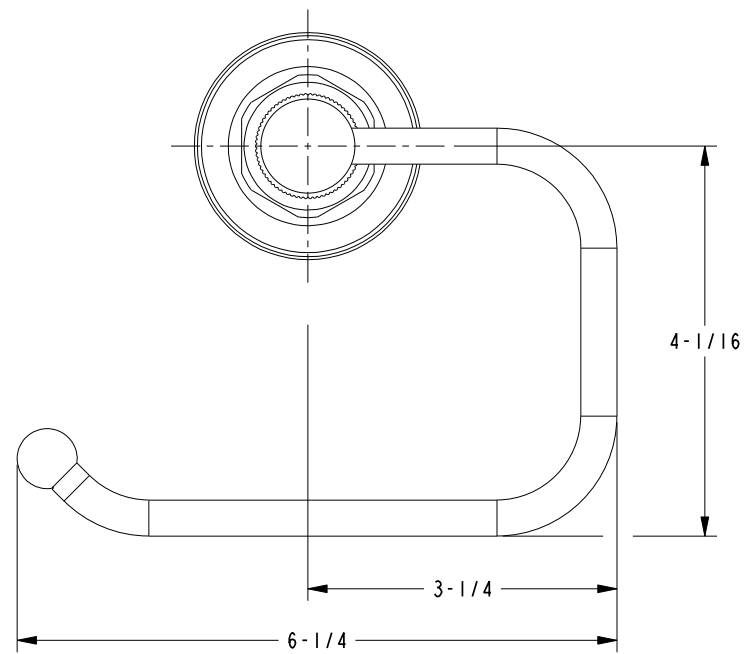
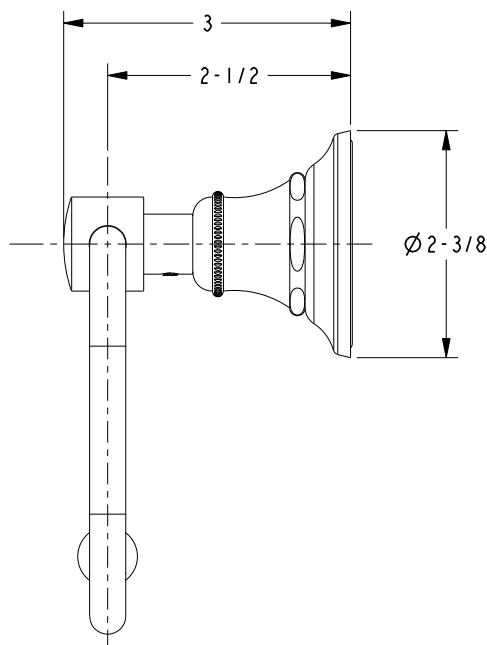
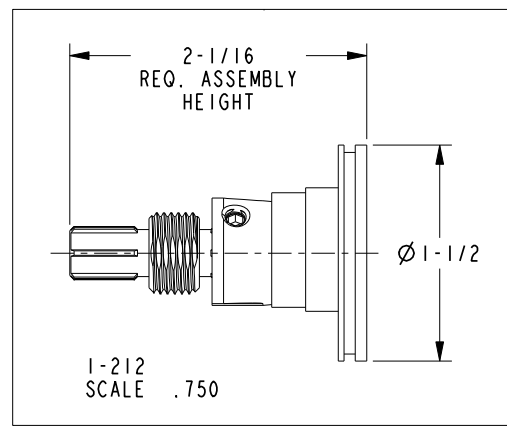
COPYRIGHT 2005 BRASSTECH, INC. THESE DRAWINGS AND THE DESIGNS DEPICTED HEREIN ARE THE PROPRIETARY PROPERTY OF BRASSTECH. ANY USE OR REPRODUCTION IS SUBJECT TO THE EXPRESS APPROVAL OF BRASSTECH. UNAUTHORIZED USE IS STRICTLY PROHIBITED. ALL RIGHTS RESERVED.

**BRASSTECH**  
INCORPORATED  
2001 E. CARNEGIE AVE.  
SANTA ANA, CA 92705  
(949) 417-5207

OPEN TOWEL/TISSUE HOLDER NTI

ASSY. NO.	33-27		
SCALE .500	REF. -	SHEET 1 OF 2	REV
B	EN-2510e	09/19/13	
A	EN-1241	12/11/09	
-	EO-0744	07/14/06	
REV	REV DESC	DATE	

**SPECIFICATION DWG**



DIMENSIONS ARE IN INCHES AND AN APPROXIMATION OF A TYPICAL INSTALLATION

COPYRIGHT 2005 BRASSTECH, INC. THESE DRAWINGS AND THE DESIGNS DEPICTED HEREIN ARE THE PROPRIETARY PROPERTY OF BRASSTECH. ANY USE OR REPRODUCTION IS SUBJECT TO THE EXPRESS APPROVAL OF BRASSTECH. UNAUTHORIZED USE IS STRICTLY PROHIBITED. ALL RIGHTS RESERVED.

<b>BRASSTECH</b>		2001 CARNEGIE AVE. SANTA ANA, CA 92705 (949) 417-5207	
INCORPORATED			
DWG NO.	33-27	REV	B
SCALE	.500	REF.	-
		SHEET	2 OF 2