

# NEWPORT BATH

## Features

- Solid brass construction
- 3 function with pause
- Universal 1/2" NPT and direct sweat connections for installation flexibility
- 16-tooth stem
- For use with 3 port BP valves only (1-594 & 1-684).
- Requires Newport Brass Handle Trim (many options available, sold-separately)

## DIVERTER VALVE

# 1-703



## Codes / Standards Compliance

Meets or exceeds the following at date of manufacture:

- ASME A112.18.1/CSA B125.1
- IAMPO/cUPC
- IPC
- California Energy Commission
- ASSE 1016
- All applicable US Federal and State material regulations

## Colors / Finishes

- 10B: Oil Rubbed Bronze
  - 15: Polished Nickel
  - 15S: Satin Nickel - PVD
  - 26: Polished Chrome
- Other: Refer to the Newport Brass catalog for additional color/finish options.



## Specified Model

Model	Description	Colors   Finishes
1-703	Flow Control Valve 3-Port	<input type="checkbox"/> NA

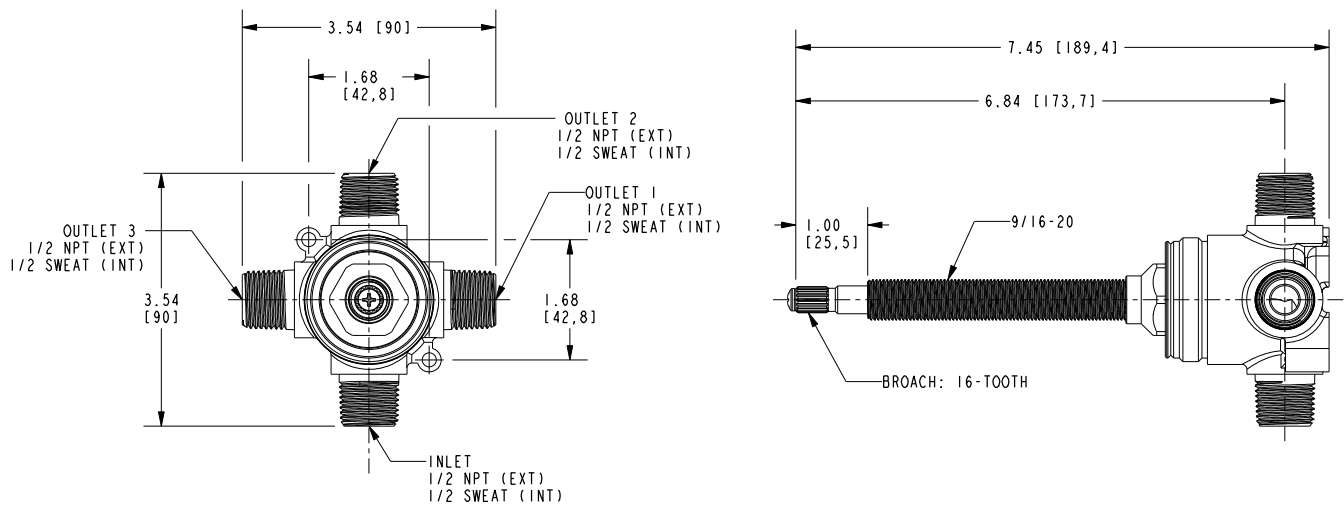
## Product Specification:

Add "Color / Finish" suffix to Model number, below.

The Flow Control Valve for wall installations shall be made of solid brass construction. 16 tooth valve body shall have 3 diverting capabilities with pause function. The Flow Control Valve for wall installations shall be Newport Brass Model 1-703.

# 1-703

## PRODUCT DIMENSIONS *(Units are in inches)*



### Newport Diverter Valve 1-703