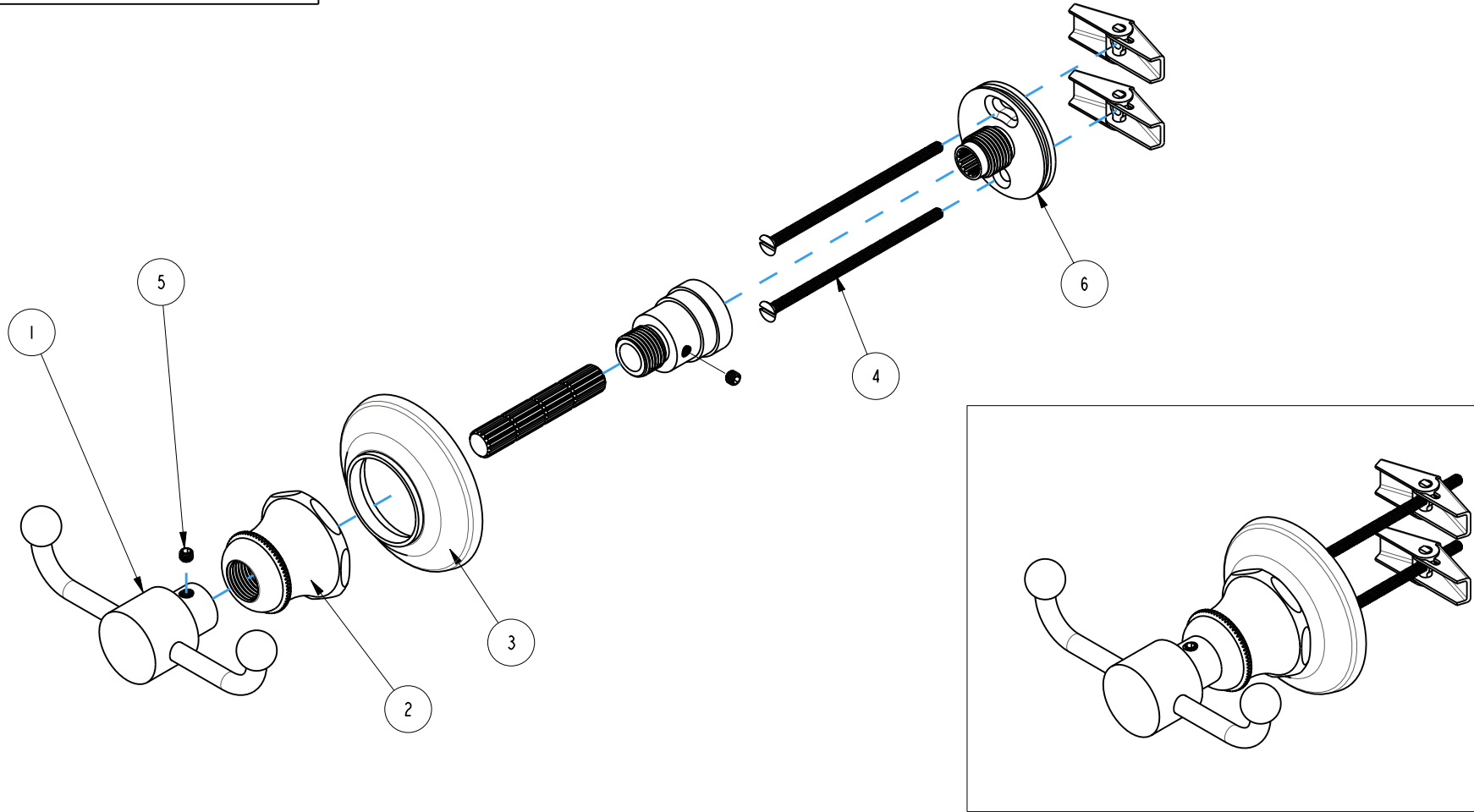


BILL OF MATERIAL (CURRENT LEVEL)				
ITEM	PT/ASSY	DESCRIPTION	TYPE	QTY.
1	7-567	DOUBLE GARMENT HOOK POST ASSY	ASSEMBLY	1
2	30352	HANDLE BONNET	PART	1
3	30229	HANDLE ESCUTCHEON	PART	1
4	1-125	HARDWARE KIT	ASSEMBLY	1
5	92000	SCREW 8 - 32 X 1/8 SS	PART	1
6	1-120	SINGLE POST MTG. ASSEMBLY	ASSEMBLY	1



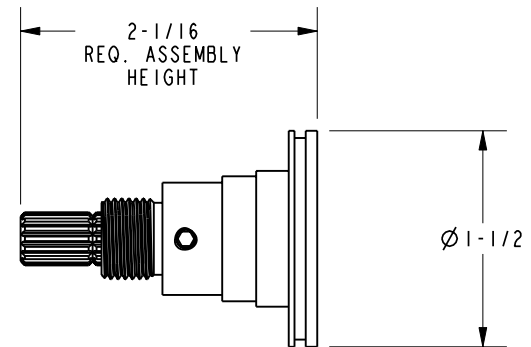
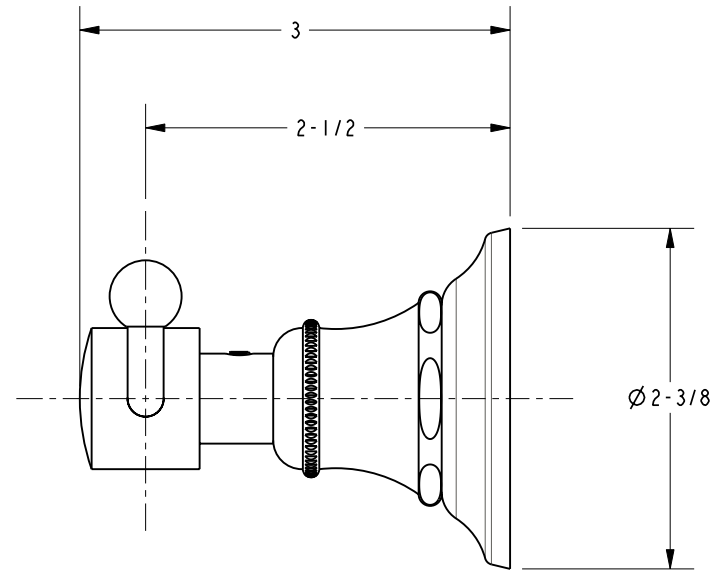
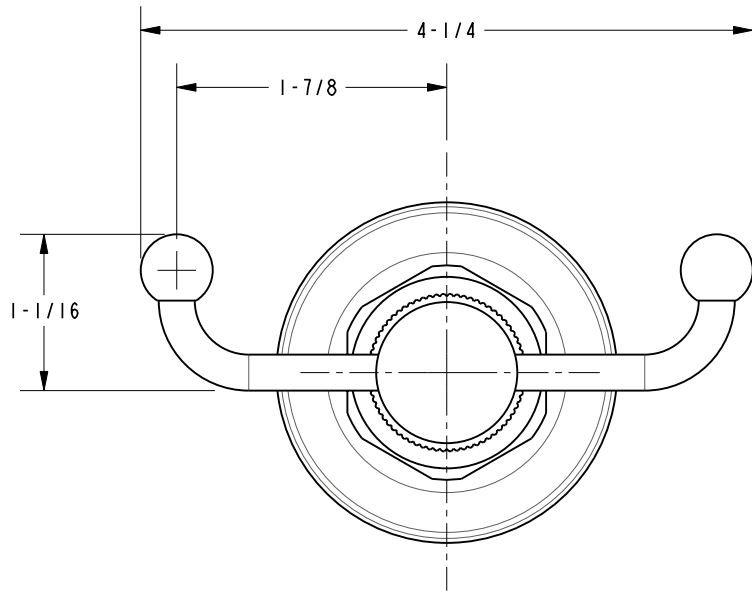
COPYRIGHT 2005 BRASSTECH, INC. THESE DRAWINGS AND THE DESIGNS DEPICTED HEREIN ARE THE PROPRIETARY PROPERTY OF BRASSTECH. ANY USE OR REPRODUCTION IS SUBJECT TO THE EXPRESS APPROVAL OF BRASSTECH. UNAUTHORIZED USE IS STRICTLY PROHIBITED. ALL RIGHTS RESERVED.

BRASSTECH
INCORPORATED
2001 E. CARNEGIE AVE.
SANTA ANA, CA 92705
(949) 417-5207

DOUBLE GARMENT HOOK, ASM NT1

ASSY. NO.	33-13		-	-	-
SCALE	NONE	REF.	-	REV	EO-0744
SHEET	1	OF	2	DATE	07/14/06

SPECIFICATION DWG



DIMENSIONS ARE IN INCHES AND AN APPROXIMATION OF A TYPICAL INSTALLATION

COPYRIGHT 2005 BRASSTECH, INC. THESE DRAWINGS AND THE DESIGNS DEPICTED HEREIN ARE THE PROPRIETARY PROPERTY OF BRASSTECH. ANY USE OR REPRODUCTION IS SUBJECT TO THE EXPRESS APPROVAL OF BRASSTECH. UNAUTHORIZED USE IS STRICTLY PROHIBITED. ALL RIGHTS RESERVED.

BRASSTECH		2001 E. CARNEGIE AVE.
INCORPORATED		SANTA ANA, CA 92705
		(949) 417-5207
DWG NO.	33-13	REV -
SCALE 1.000	REF. -	SHEET 2 OF 2