

4

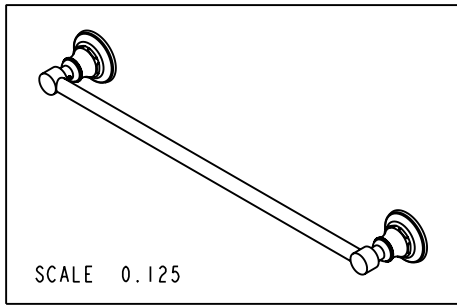
3

2

1

D

D



BILL OF MATERIAL (CURRENT LEVEL)

ITEM	PT/ASSY	DESCRIPTION	TYPE	QTY.
1	10123	18 IN. TOWEL BAR	PART	1
2	10962	TOWEL POST	PART	2
3	30352	HANDLE BONNET	PART	2
4	30229	HANDLE ESCUTCHEON	PART	2
5	1-036	ACC MTG WALL PLATE	ASSEMBLY	2
6	92000	SCREW 8 - 32 X 1/8 SS	PART	2
7	1-037	ACC MOUNTING HDW DOUBLE	ASSEMBLY	1

C

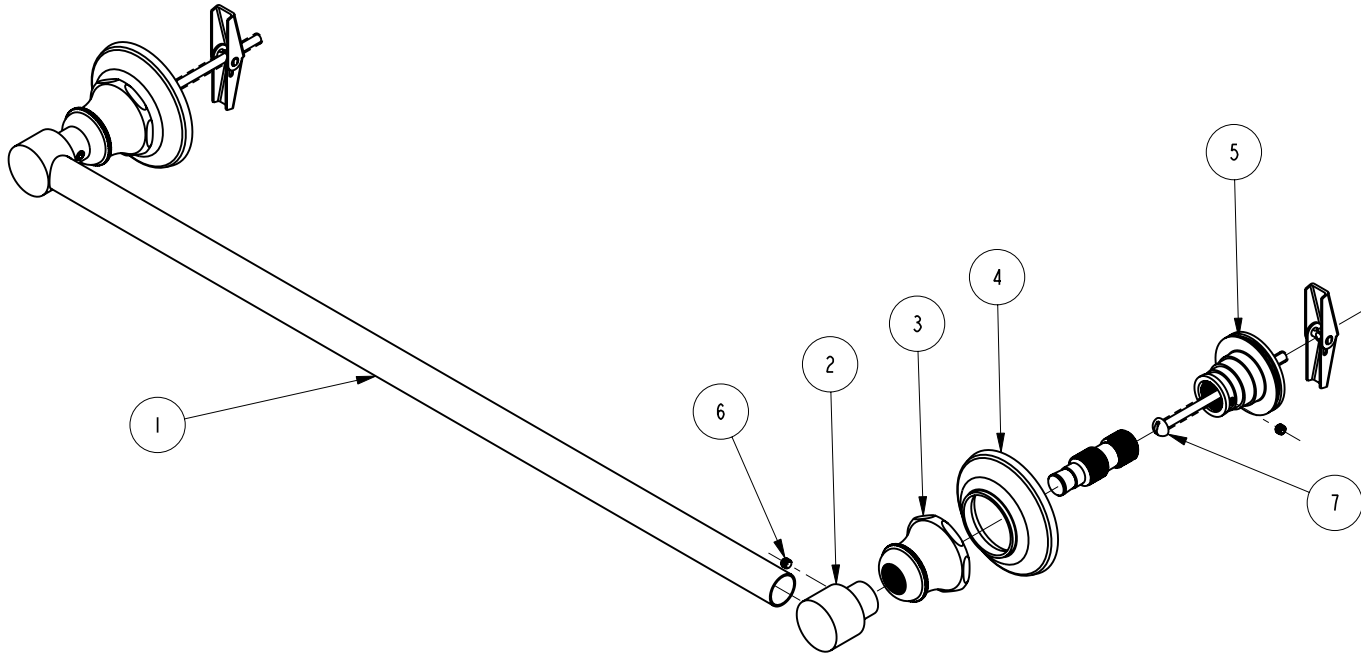
C

B

B

A

A



COPYRIGHT 2005 BRASSTECH, INC. THESE DRAWINGS AND THE DESIGNS DEPICTED HEREIN ARE THE PROPRIETARY PROPERTY OF BRASSTECH. ANY USE OR REPRODUCTION IS SUBJECT TO THE EXPRESS APPROVAL OF BRASSTECH. UNAUTHORIZED USE IS STRICTLY PROHIBITED. ALL RIGHTS RESERVED.

BRASSTECH
 INCORPORATED
 2001 E. CARNEGIE AVE.
 SANTA ANA, CA 92705
 (949) 417-5207

SINGLE TOWEL BAR 18"

ASSY. NO.	33-01	-	-	-
SCALE 0.300	REF. -	SHEET 1 OF 2	REV	REV DESC
			EO-0744	07/14/06
				DATE

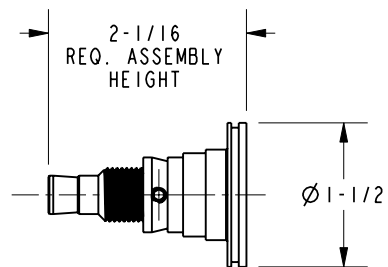
4

3

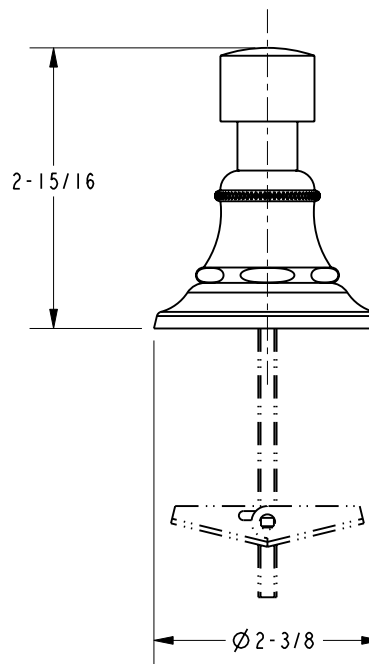
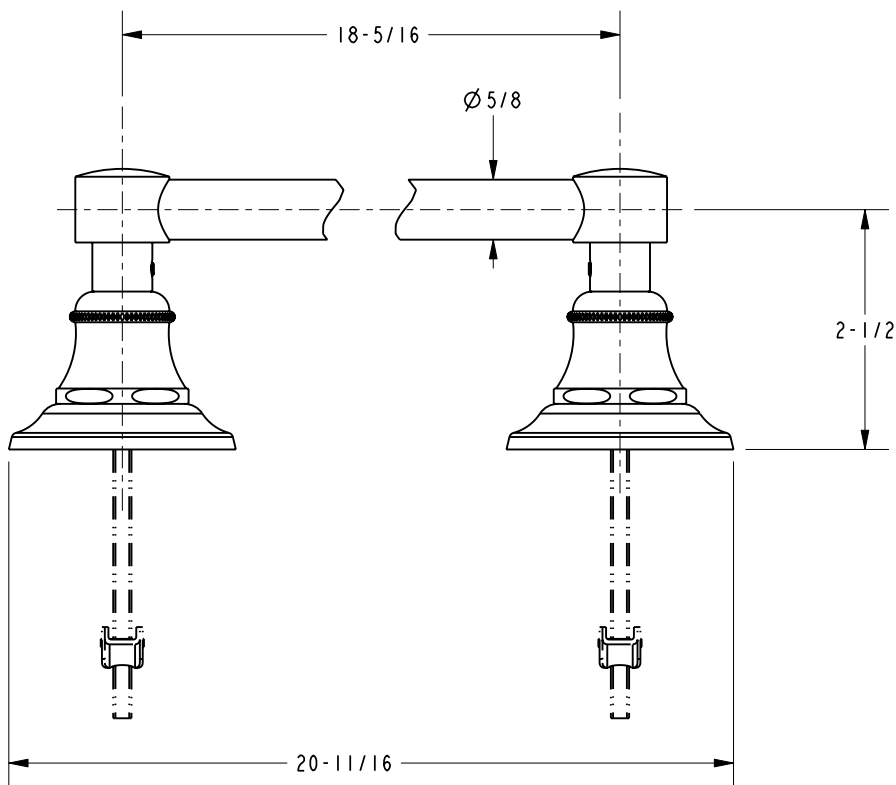
2

1

SPECIFICATION DWG



SCALE 0.500



DIMENSIONS ARE IN INCHES AND AN APPROXIMATION OF A TYPICAL INSTALLATION

COPYRIGHT 2005 BRASSTECH, INC. THESE DRAWINGS AND THE DESIGNS DEPICTED HEREIN ARE THE PROPRIETARY PROPERTY OF BRASSTECH. ANY USE OR REPRODUCTION IS SUBJECT TO THE EXPRESS APPROVAL OF BRASSTECH. UNAUTHORIZED USE IS STRICTLY PROHIBITED. ALL RIGHTS RESERVED.

BRASSTECH		2001 E. CARNEGIE AVE.
INCORPORATED		SANTA ANA, CA 92705
		(949) 417-5207
DWG NO.	33-01	REV -
SCALE 1.000	REF. -	SHEET 2 OF 2