

4

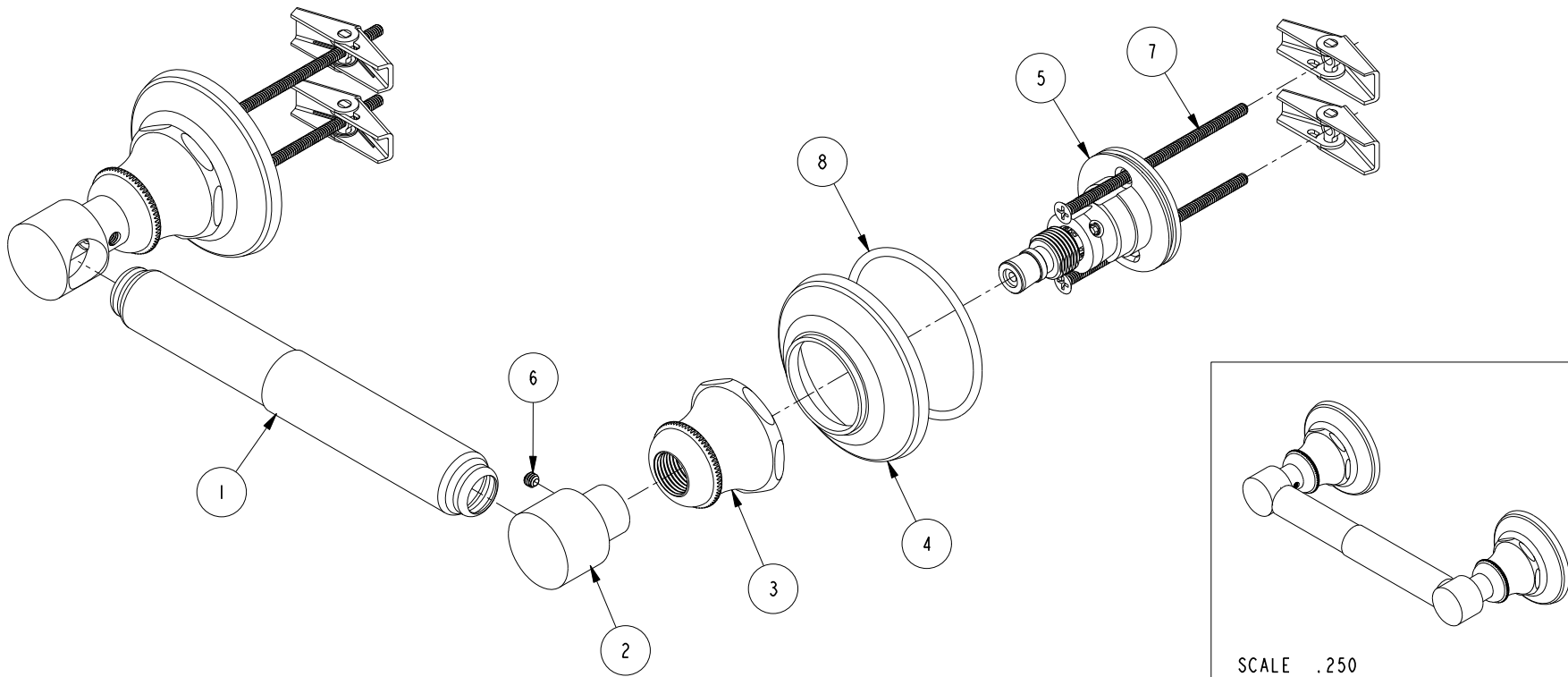
3

2

1

BILL OF MATERIAL (CURRENT LEVEL)

ITEM	PT/ASSY	DESCRIPTION	TYPE	QTY.
1	2-184	TISSUE ROLLER ASSEMBLY	ASSEMBLY	1
2	10962	TOWEL POST	PART	2
3	30352	HANDLE BONNET	PART	2
4	12242	HANDLE ESCUTCHEON	PART	2
5	1-211	ACCESSORY MTG KIT	ASSEMBLY	2
6	92000	SCRW, 8-32 X 1/8 SKT HD CUP PT SS	PART	2
7	1-125	HARDWARE KIT	ASSEMBLY	2
8	91231	O-RING, #2-136, EPDM, 65-75 DURO	PART	2



COPYRIGHT 2005 BRASSTECH, INC. THESE DRAWINGS AND THE DESIGNS DEPICTED HEREIN ARE THE PROPRIETARY PROPERTY OF BRASSTECH. ANY USE OR REPRODUCTION IS SUBJECT TO THE EXPRESS APPROVAL OF BRASSTECH. UNAUTHORIZED USE IS STRICTLY PROHIBITED. ALL RIGHTS RESERVED.

BRASSTECH
 INCORPORATED
 2001 E. CARNEGIE AVE.
 SANTA ANA, CA 92705
 (949) 417-5207

TISSUE HOLDER - DBLE POST

ASSY. NO.	33-28	
SCALE	.500	REF. -
SHEET	1	OF 2
REV	REV DESC	DATE
B	EN-2510e	09/19/13
A	EN-1241	12/10/09
-	EO-0744	07/14/06

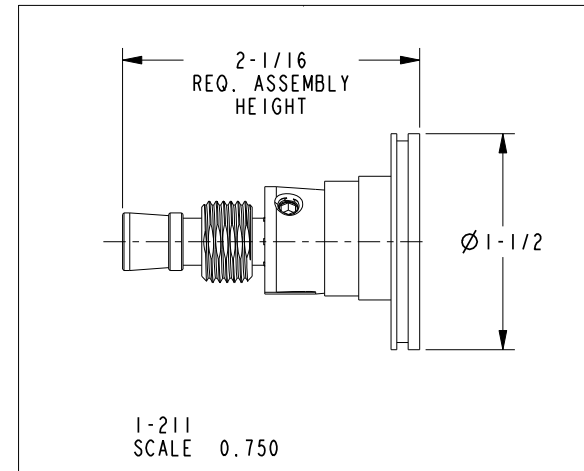
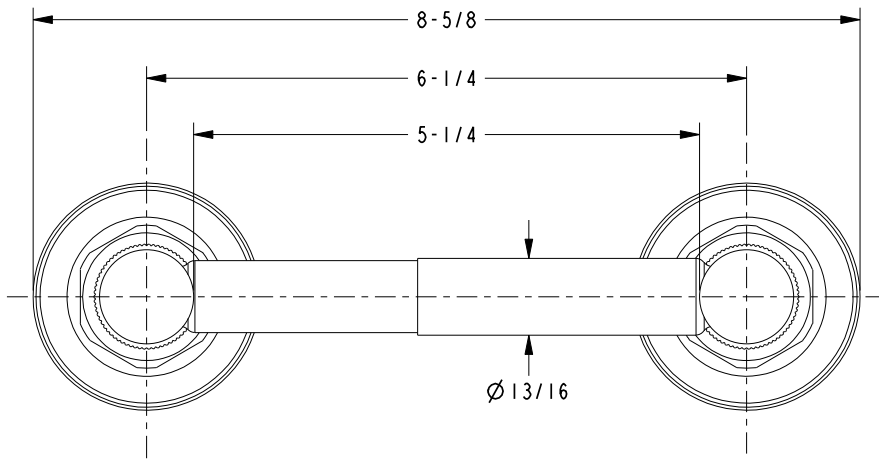
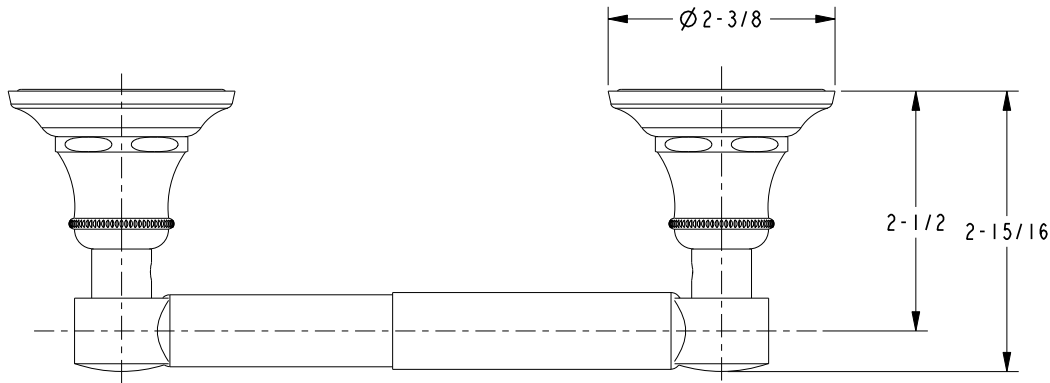
4

3

2

1

SPECIFICATION DWG



DIMENSIONS ARE IN INCHES AND AN APPROXIMATION OF A TYPICAL INSTALLATION

COPYRIGHT 2005 BRASSTECH, INC. THESE DRAWINGS AND THE DESIGNS DEPICTED HEREIN ARE THE
 PROPRIETARY PROPERTY OF BRASSTECH. ANY USE OR REPRODUCTION IS SUBJECT TO THE EXPRESS
 APPROVAL OF BRASSTECH. UNAUTHORIZED USE IS STRICTLY PROHIBITED. ALL RIGHTS RESERVED.

BRASSTECH		2001 CARNEGIE AVE.
INCORPORATED		SANTA ANA, CA 92705
		(949) 417-5207
DWG NO.	33-28	REV B
SCALE 1.000	REF. -	SHEET 2 OF 2