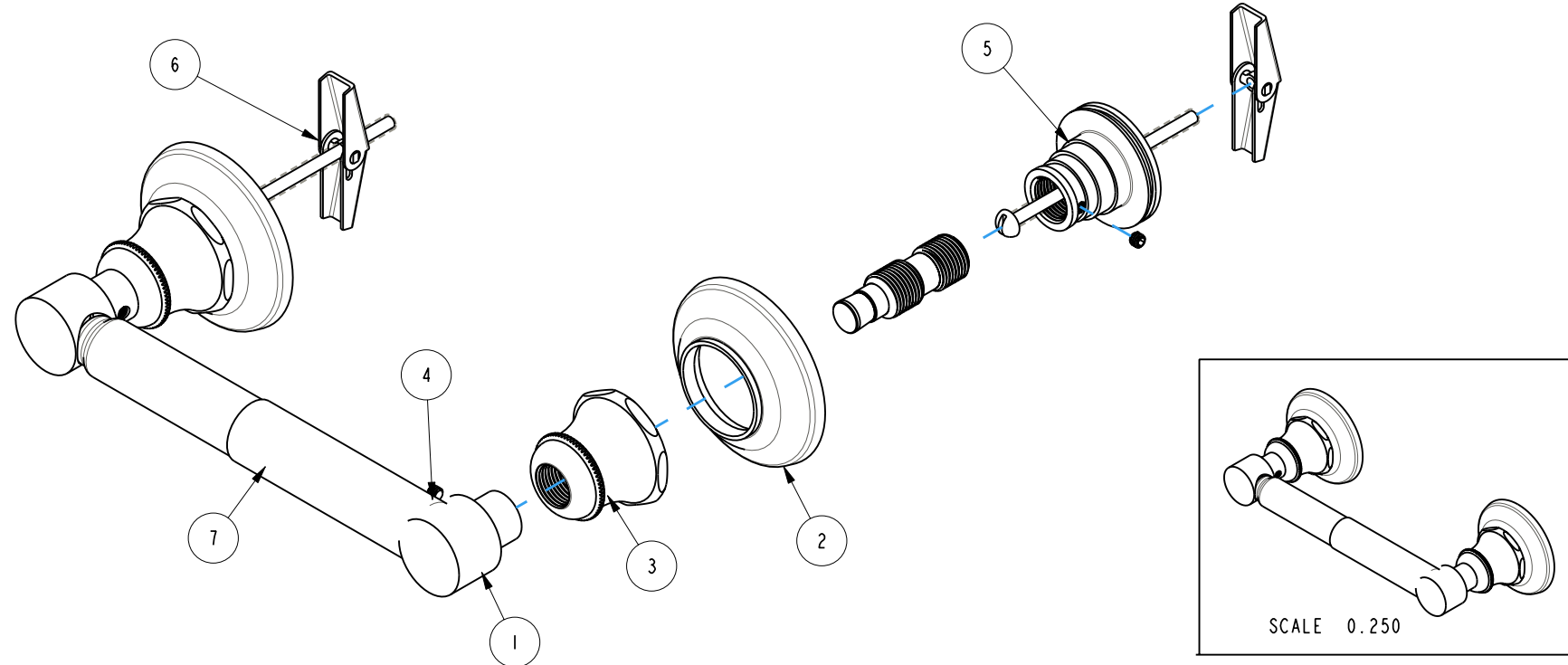
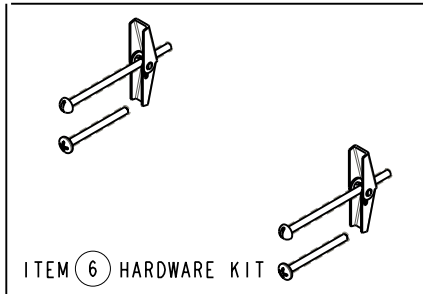


4 3 2 1

BILL OF MATERIAL (CURRENT LEVEL)				
ITEM	PT/ASSY	DESCRIPTION	TYPE	QTY.
1	10962	TOWEL POST	PART	2
2	30229	HANDLE ESCUTCHEON	PART	2
3	30352	HANDLE BONNET	PART	2
4	92000	SCREW 8 - 32 X 1/8 SS	PART	2
5	1-036	ACC MTG WALL PLATE	ASSEMBLY	2
6	1-037	ACC MOUNTING HDW DOUBLE	ASSEMBLY	1
7	2-184	TISSUE ROLLER ASSEMBLY	ASSEMBLY	1



COPYRIGHT 2005 BRASSTECH, INC. THESE DRAWINGS AND THE DESIGNS DEPICTED HEREIN ARE THE PROPRIETARY PROPERTY OF BRASSTECH. ANY USE OR REPRODUCTION IS SUBJECT TO THE EXPRESS APPROVAL OF BRASSTECH. UNAUTHORIZED USE IS STRICTLY PROHIBITED. ALL RIGHTS RESERVED.

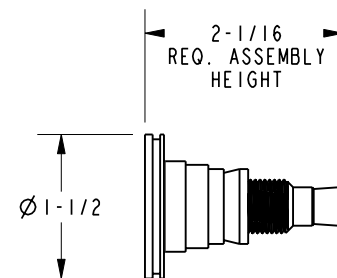
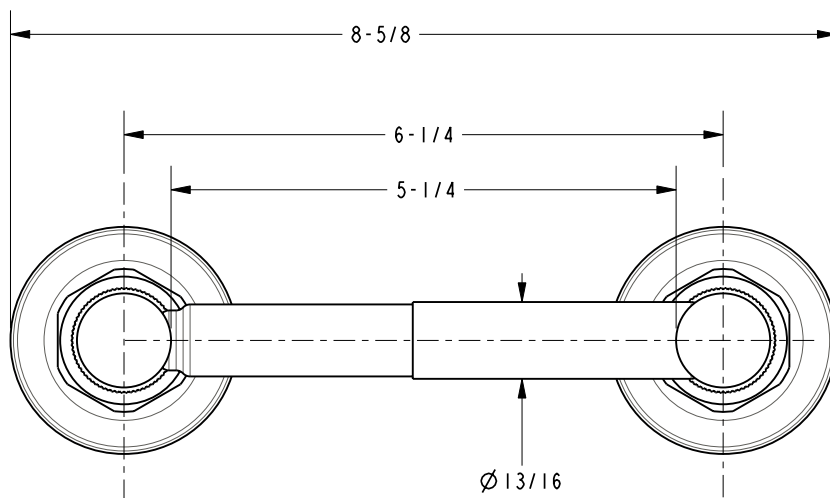
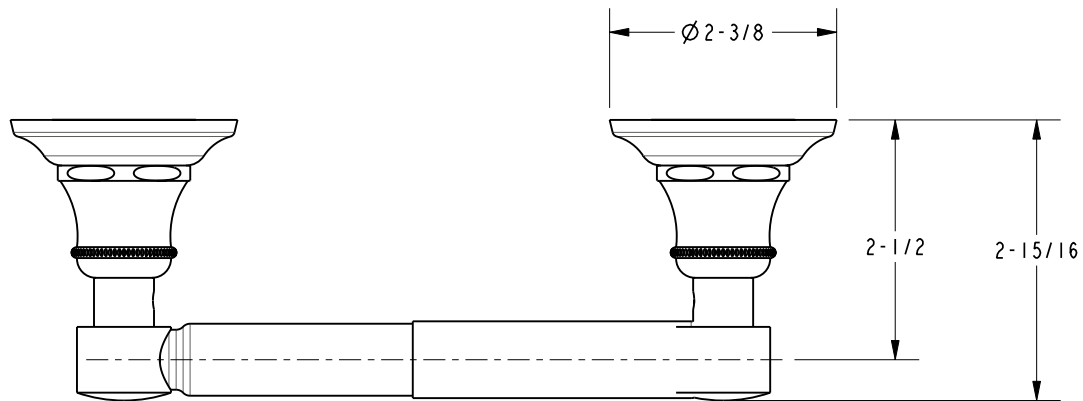
**BRASSTECH**  
INCORPORATED  
2001 E. CARNEGIE AVE.  
SANTA ANA, CA 92705  
(949) 417-5207

TISSUE HOLDER - DBLE POST

ASSY. NO.	33-28		-	-	-
SCALE	0.500	REF.	-	SHEET	1 OF 2
REV		REV	DESC	DATE	
			EO-0744	07/14/06	

4 3 2 1

**SPECIFICATION DWG**



DIMENSIONS ARE IN INCHES AND AN APPROXIMATION OF A TYPICAL INSTALLATION

COPYRIGHT 2005 BRASSTECH, INC. THESE DRAWINGS AND THE DESIGNS DEPICTED HEREIN ARE THE PROPRIETARY PROPERTY OF BRASSTECH. ANY USE OR REPRODUCTION IS SUBJECT TO THE EXPRESS APPROVAL OF BRASSTECH. UNAUTHORIZED USE IS STRICTLY PROHIBITED. ALL RIGHTS RESERVED.

<b>BRASSTECH</b>		2001 E. CARNEGIE AVE.
INCORPORATED		SANTA ANA, CA 92705
		(949) 417-5207
DWG NO.	33-28	REV -
SCALE 1.000	REF. -	SHEET 2 OF 2