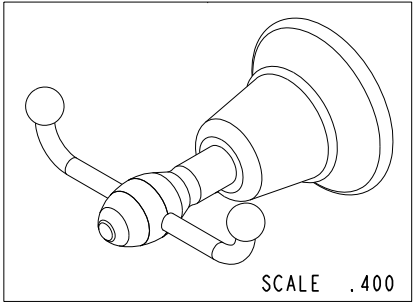
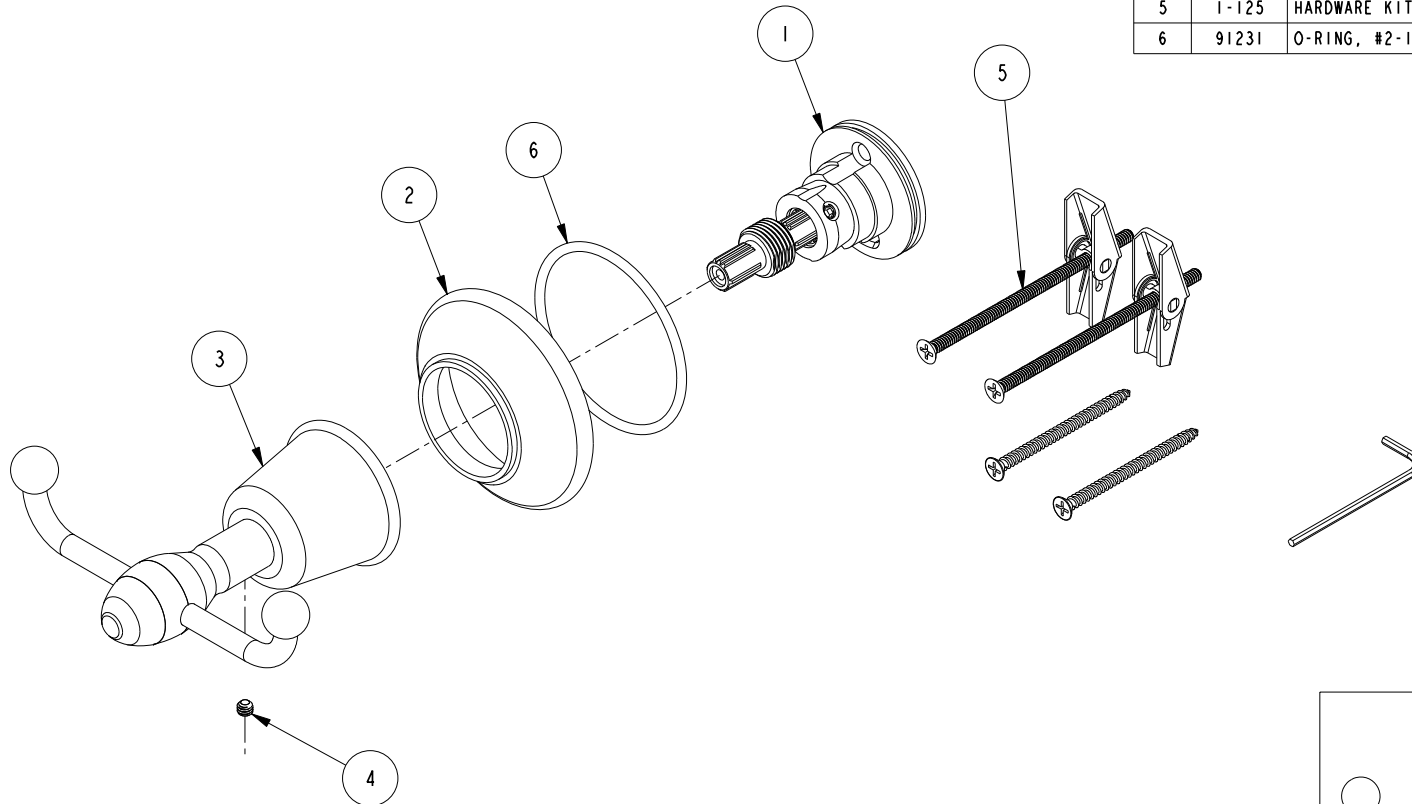


BILL OF MATERIAL (CURRENT LEVEL)				
ITEM	PT/ASSY	DESCRIPTION	TYPE	QTY.
1	1-212	ACCESSORY MTG KIT	ASSEMBLY	1
2	12243	HANDLE ESCUTCHEON	PART	1
3	7-592	DOUBLE GARMENT HOOK POST ASSY	ASSEMBLY	1
4	92000	SCRW, 8-32 X 1/8 SKT HD CUP PT SS	PART	1
5	1-125	HARDWARE KIT	ASSEMBLY	1
6	91231	O-RING, #2-136, EPDM, 65-75 DURO	PART	1



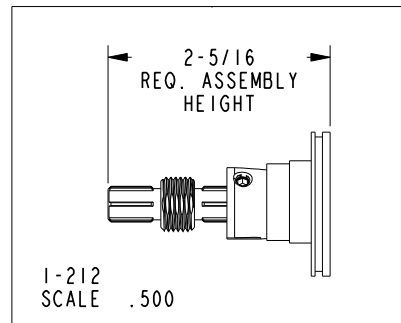
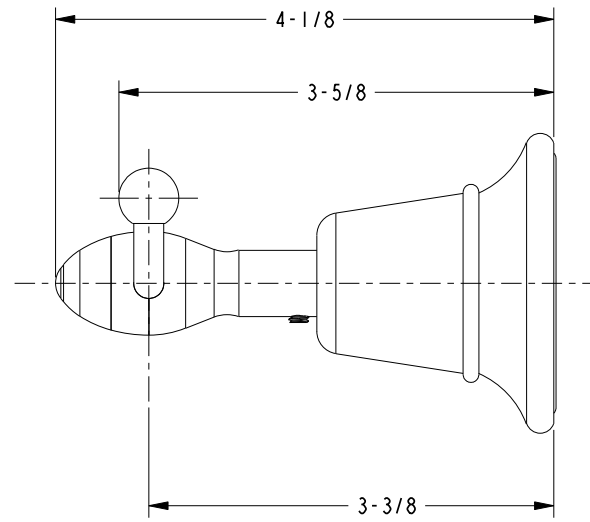
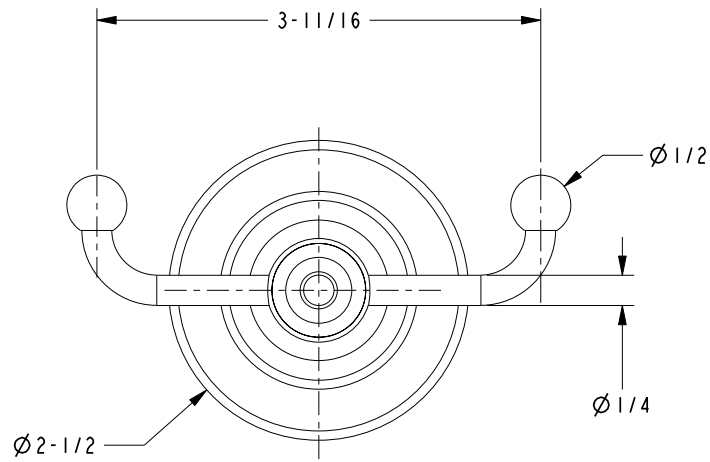
COPYRIGHT 2005 BRASSTECH, INC. THESE DRAWINGS AND THE DESIGNS DEPICTED HEREIN ARE THE PROPRIETARY PROPERTY OF BRASSTECH. ANY USE OR REPRODUCTION IS SUBJECT TO THE EXPRESS APPROVAL OF BRASSTECH. UNAUTHORIZED USE IS STRICTLY PROHIBITED. ALL RIGHTS RESERVED.

BRASSTECH
INCORPORATED
2001 E. CARNEGIE AVE.
SANTA ANA, CA 92705
(949) 417-5207

DOUBLE GARMENT HOOK

ASSY. NO.	31-13	
SCALE	.500	REF. -
SHEET	1	OF 2
REV	REV DESC	DATE
B	EN-2510c	08/09/13
A	EN-1241	09/14/09
-	EO-0315	02/12/04

SPECIFICATION DWG



DIMENSIONS ARE IN INCHES AND AN APPROXIMATION OF A TYPICAL INSTALLATION

COPYRIGHT 2005 BRASSTECH, INC. THESE DRAWINGS AND THE DESIGNS DEPICTED HEREIN ARE THE PROPRIETARY PROPERTY OF BRASSTECH. ANY USE OR REPRODUCTION IS SUBJECT TO THE EXPRESS APPROVAL OF BRASSTECH. UNAUTHORIZED USE IS STRICTLY PROHIBITED. ALL RIGHTS RESERVED.

BRASSTECH		2001 CARNEGIE AVE. SANTA ANA, CA 92705 (949) 417-5207
INCORPORATED		
DWG NO.	31-13	REV B
SCALE .625	REF. -	SHEET 2 OF 2