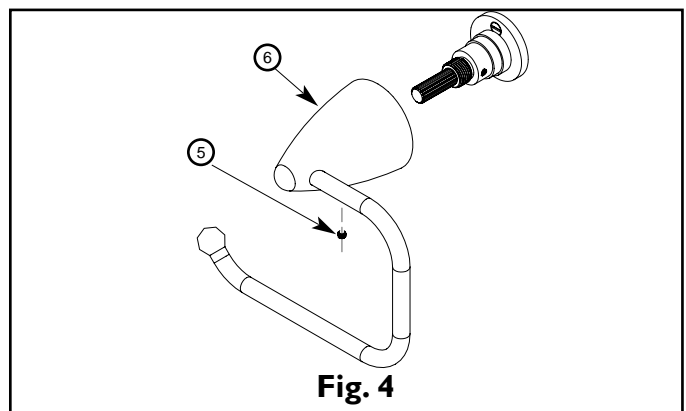
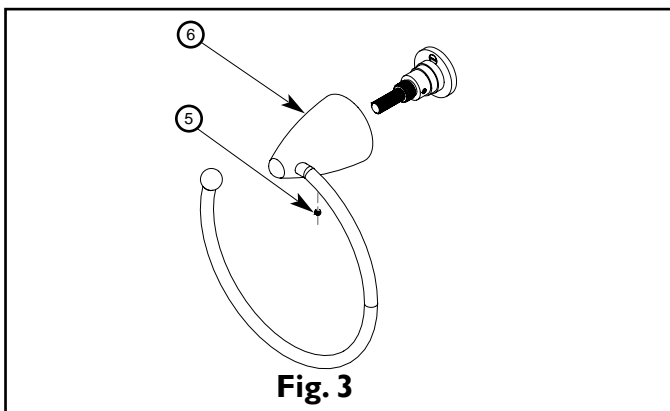
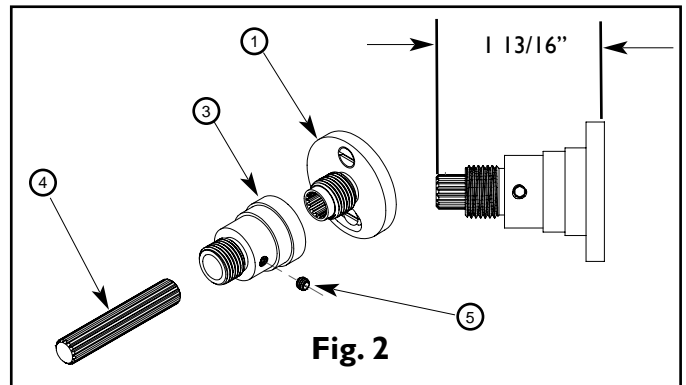
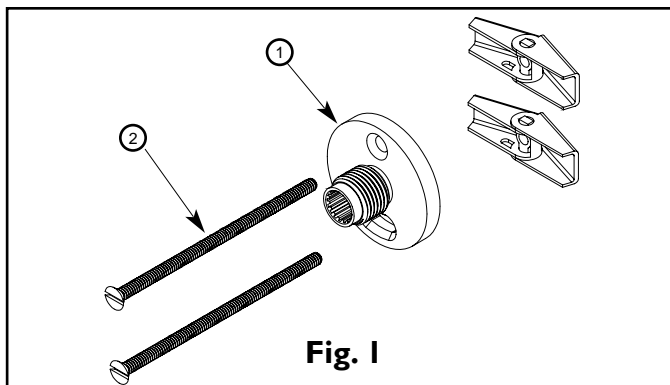


Open Towel Ring / Open Tissue Holder Installation Instructions Model No. 32-10, 32-27

Recommended Installation by a Professional Contractor

1. Drill hole in wall at desired location using the appropriate drill size:
 - Wood Screw (#6 x 2") - use: 3/32" Drill
 - Toggle Screw (6-32 x 3") - use: 3/8" Drill
2. Fasten Base (1) to wall using either WOOD/TOGGLE SCREW (2). (See Fig. 1)
3. Thread ADAPTER (3) into BASE (1). Position SPLINE (4) at a height 1 13/16" from mounting surface. Secure SPLINE (4) into place by tightening SETSCREW (5). (See Fig. 2)
4. Temporarily place POST (6) onto BASE (1) to check alignment. If necessary, loosen lower screw on BASE (1) and adjust. Retighten screw.
5. Place POST (6) over SPLINE (4) and against the mounting surface. Secure into place by tightening the SETSCREW (5). (See Fig. 3 & 4)



NEWPORT BRASS.
The Luxury of Style

(949)417-5207

Santa Ana CA 92705

www.brasstech.com