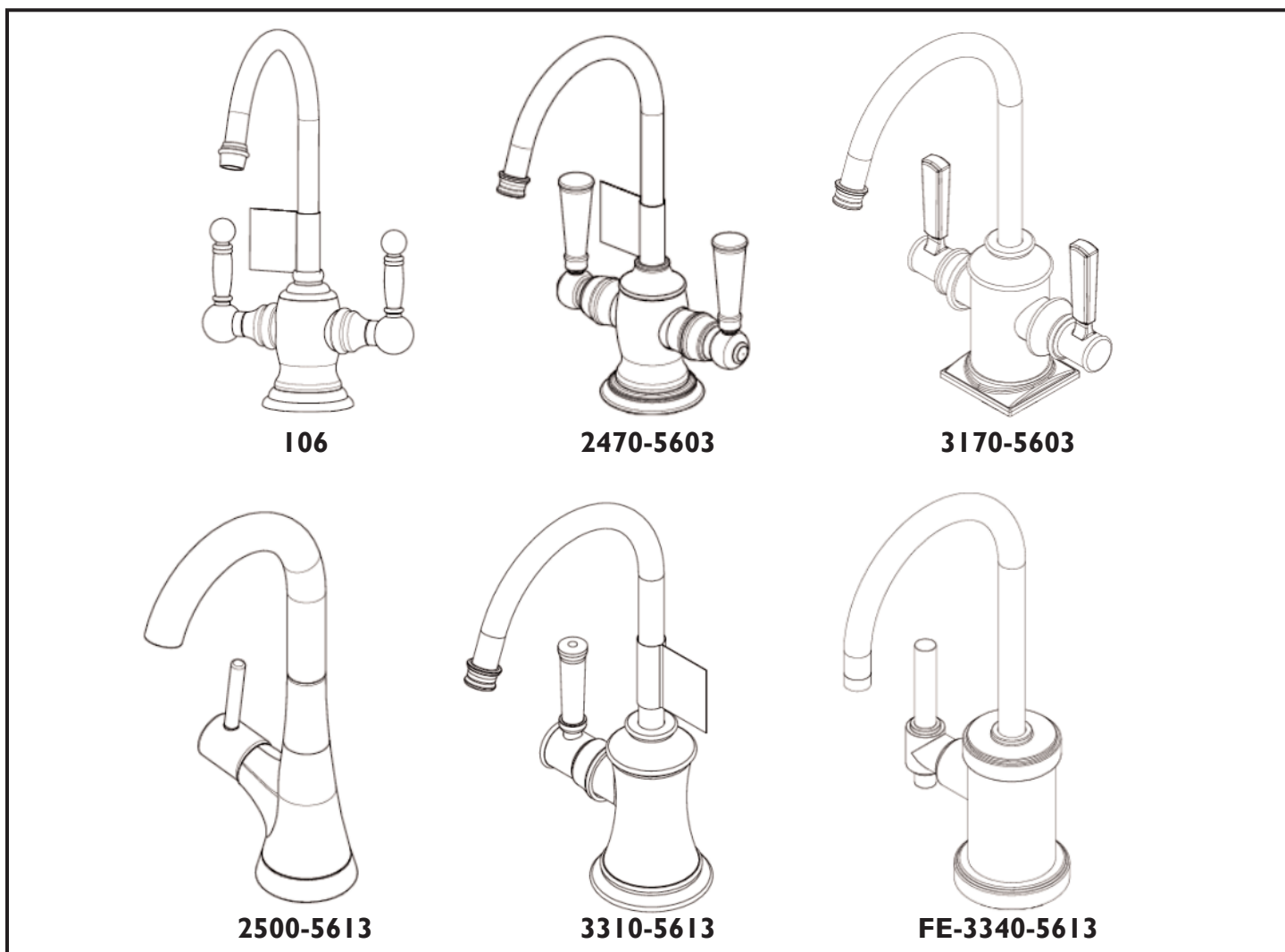


INSTALLATION INSTRUCTIONS HOT/ COLD WATER DISPENSER

NEWPORT BRASS®

Flawless Beauty. From Faucet to Finish.™

Model No's: 106, 107, 108, 1030-5603,
1200-5603, 2470-5603, 2940-5603, 3160-5603, 3170-5603,
3180-5603, 3190-5603, 3200-5603, 3210-5603, 3220-5603,
3290-5603, 3310-5603, FE-3340-5603, 106H, 107H, 108H,
1030-5613, 1200-5613, 2470-5613, 2500-5613, 2940-5613,
3160-5613, 3170-5613, 3180-5613, 3190-5613, 3200-5613,
3210-5613, 3220-5613, 3290-5613, 3310-5613, FE-3340-5613



**Congratulations on the purchase of this
Brasstech product, an excellent choice that
will give you years of quality service and
enhance the look and style of your home.**

IMPORTANT PRODUCT INFORMATION

Brasstech water dispensers are tested and warrantied only when connected to Brasstech water heater 5-036.

Under normal operation, Brasstech's line of 'Hot' and 'Hot/Cold' water dispensers may drip for a period of up to 15 minutes after each use. This condition originates from the unit's integral hot water tank. It is caused by the thermal expansion of water occurring naturally when cool water is heated in a confined space (the tank). Brasstech dispensers were specifically designed to allow steam or any amount of water expansion to escape through the spout, thus preventing dangerous high pressure from building up inside the tank. This is a safety feature; not to be confused with a defective product.

Lab tests have confirmed that during the heat up cycle, water may leak from the spout for up to 15 minutes after the valve is shut off. This duration varies based on the hot water tank's temperature setting and amount of hot water consumed. Approximate volume of water expansion during the 10-15 minute period is 3-5 ounces.

Although persistent leaking and/or dripping may be caused by a non-conforming cartridge and/or improper assembly, the type of leakage described here (10-15 min., 3-5 oz) can be verified by unplugging the power to the water heater. There should be no leak through the spout after the hot valve is shut off in this manner.

Recommended Installation by a Professional Plumbing Contractor

Note: The use of petroleum base plumbers putty on our products will nullify the warranty. We recommend the use of clear silicone sealing materials. Recommended deck thru hole \varnothing 1.25" to \varnothing 1.38".

I. INSTALLING FAUCET ON SINK (See Figure I)

- Slide the 3 hoses through escutcheon, o-ring, and mounting surface hole.
- Hand tighten Mounting Kit on underside of mounting surface and use a Phillip-head screwdriver to secure into place.

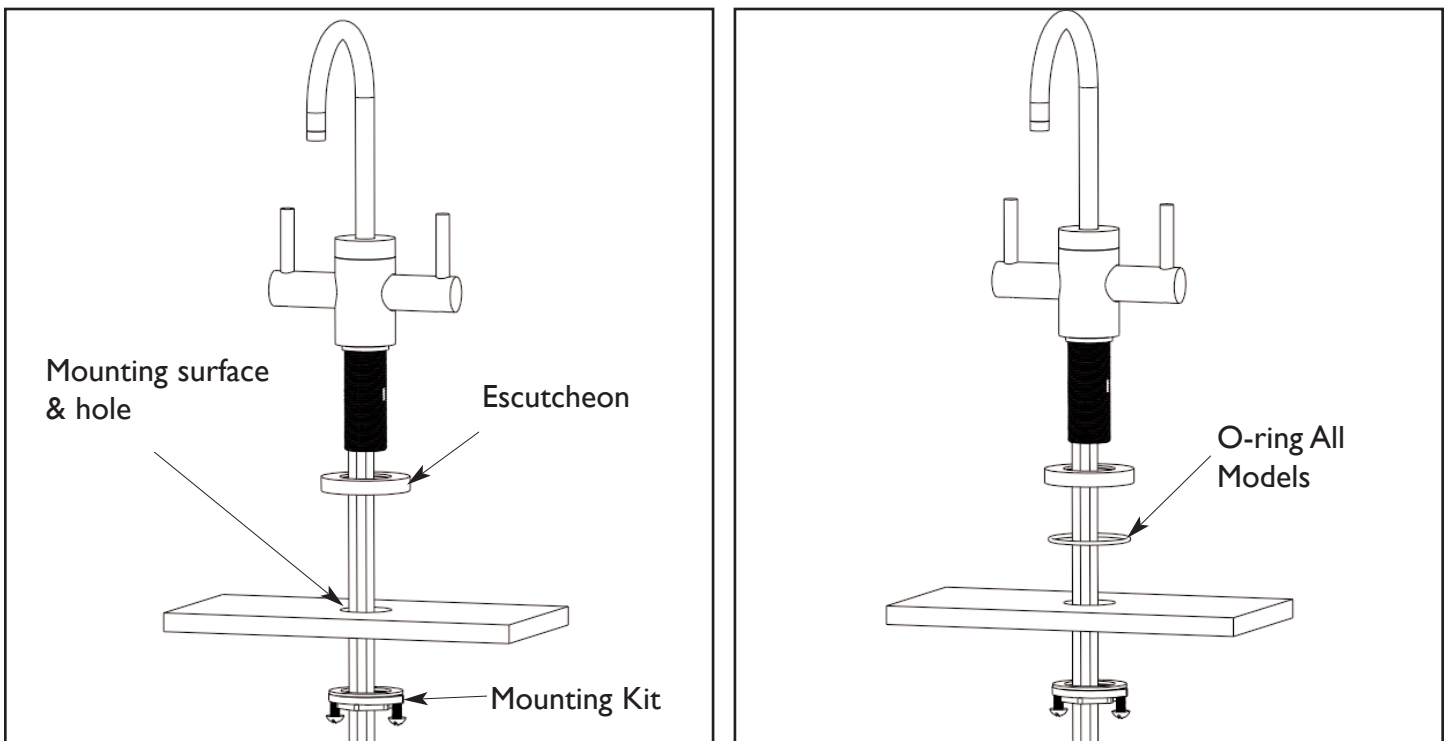


Figure I

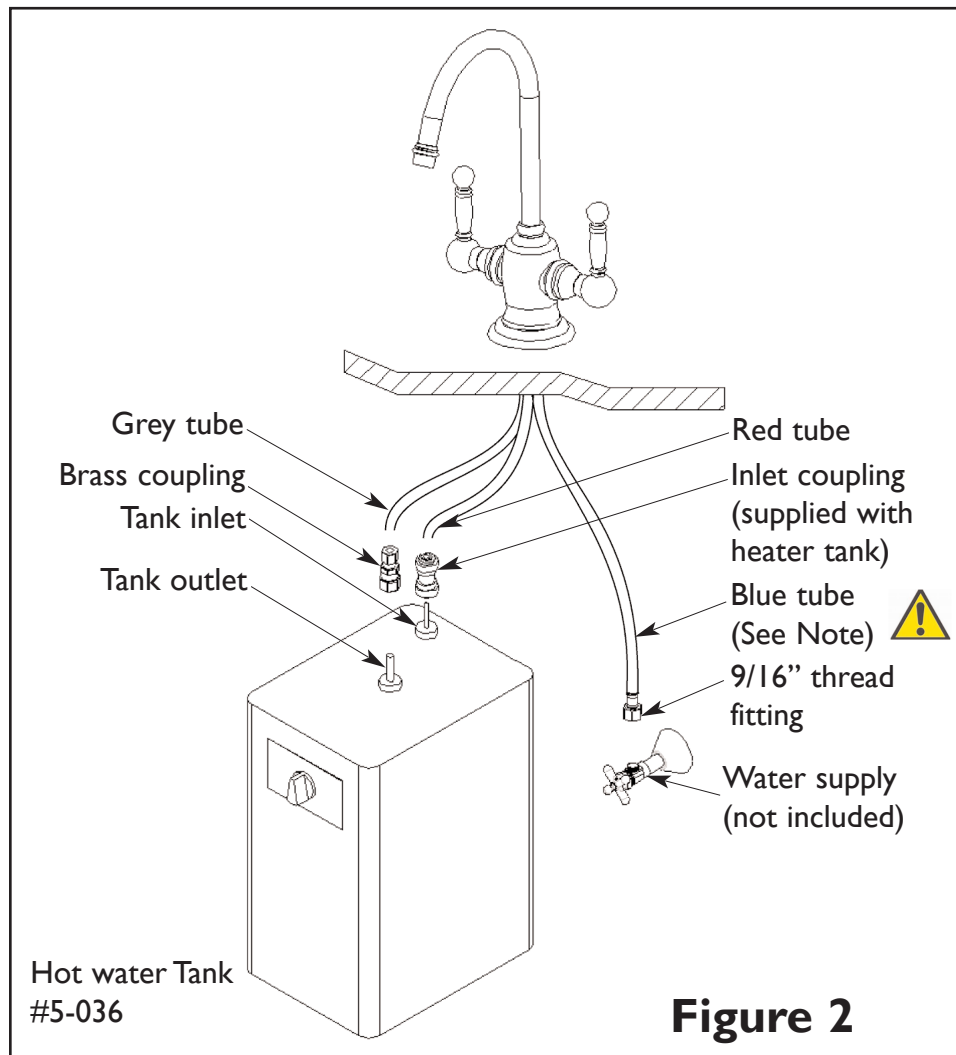
2. ATTACHING WATER CONNECTIONS TO SUPPLY AND TANK (See Figure 2)

- Connect blue tube to the cold water supply utilizing the 9/16 thread fitting.



Note: Do *not* trim blue tube and use it with 1/4" compression fitting. Blue hose can only be trimmed if it is used with a quick-connect fitting that is supplied with Newport Brass heater tank.

- Trim the grey hose as short as possible to reduce back pressure, then, connect to the center outlet tube on the top of the tank utilizing the brass coupling.
- Trim and connect the red tube to heater tank utilizing a quick-connect fitting with filter (supplied with heater tank). Debris screen filter protects heater tank from blockages. Warranty will be void if quickconnect fitting with filter is not used.



3. TEST INSTALLED FAUCET

- Turn on water supply. Rotate the hot handle and hold until the tank fills up, (tank is full when water comes out of the spout). Rotate hot handle to turn water off.
- Check all connections for leaks. Make any final adjustments as required by first turning off the water supply to relieve the pressure.
- Plug in the water tank and wait between 10-15 minutes for water to reach its target temperature.